



FOR APPROVAL ONLY

NOT RELEASED FOR FABRICATION

REVISIONS		DATE	BY
5	REVISED COVER	07-22-22	MPM
4	FIX INCORRECTLY DISPLAYED WEIGHTS	10-03-18	CMJ
3	CHANGE LIFTER LOCATION	08-06-18	CMJ

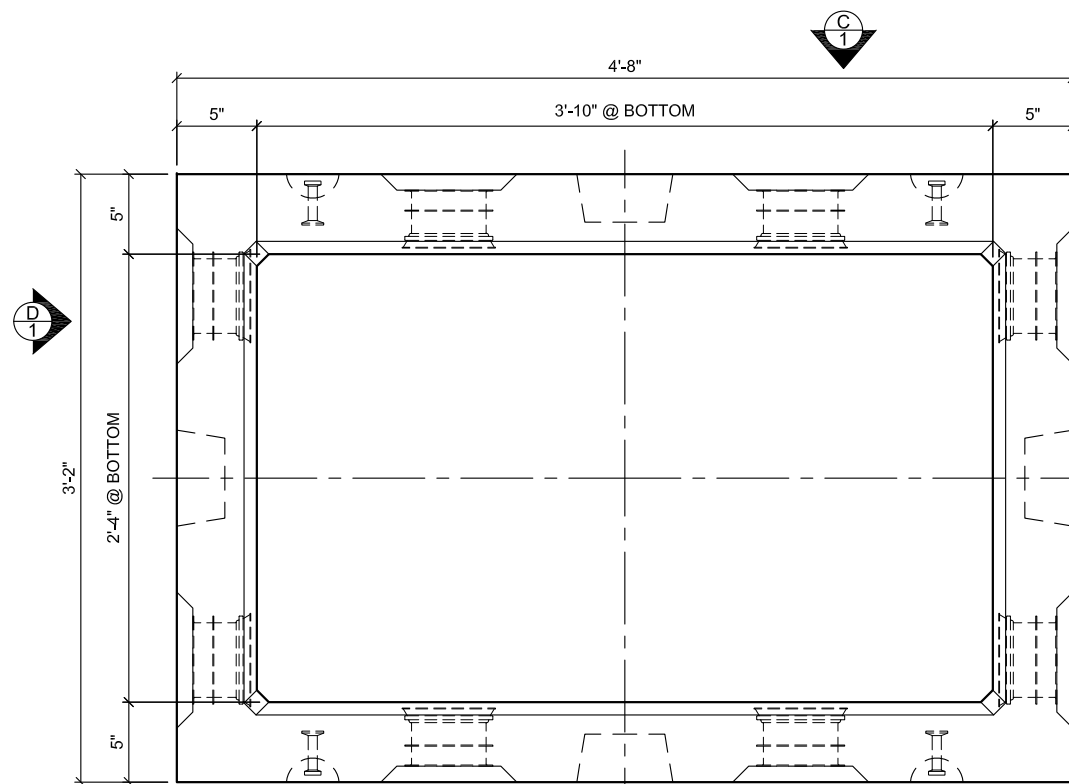
STRUCTURAL NOTES:

- DESIGN SPECIFICATIONS:**
- ACI 318 BUILDING CODE REQUIREMENTS FOR STRUCTURAL CONCRETE
 - AASHTO STANDARD SPECIFICATIONS FOR HIGHWAY BRIDGES
 - ASTM C857 STANDARD PRACTICE FOR MINIMUM STRUCTURAL DESIGN LOADING FOR UNDERGROUND PRECAST CONCRETE UTILITY STRUCTURES

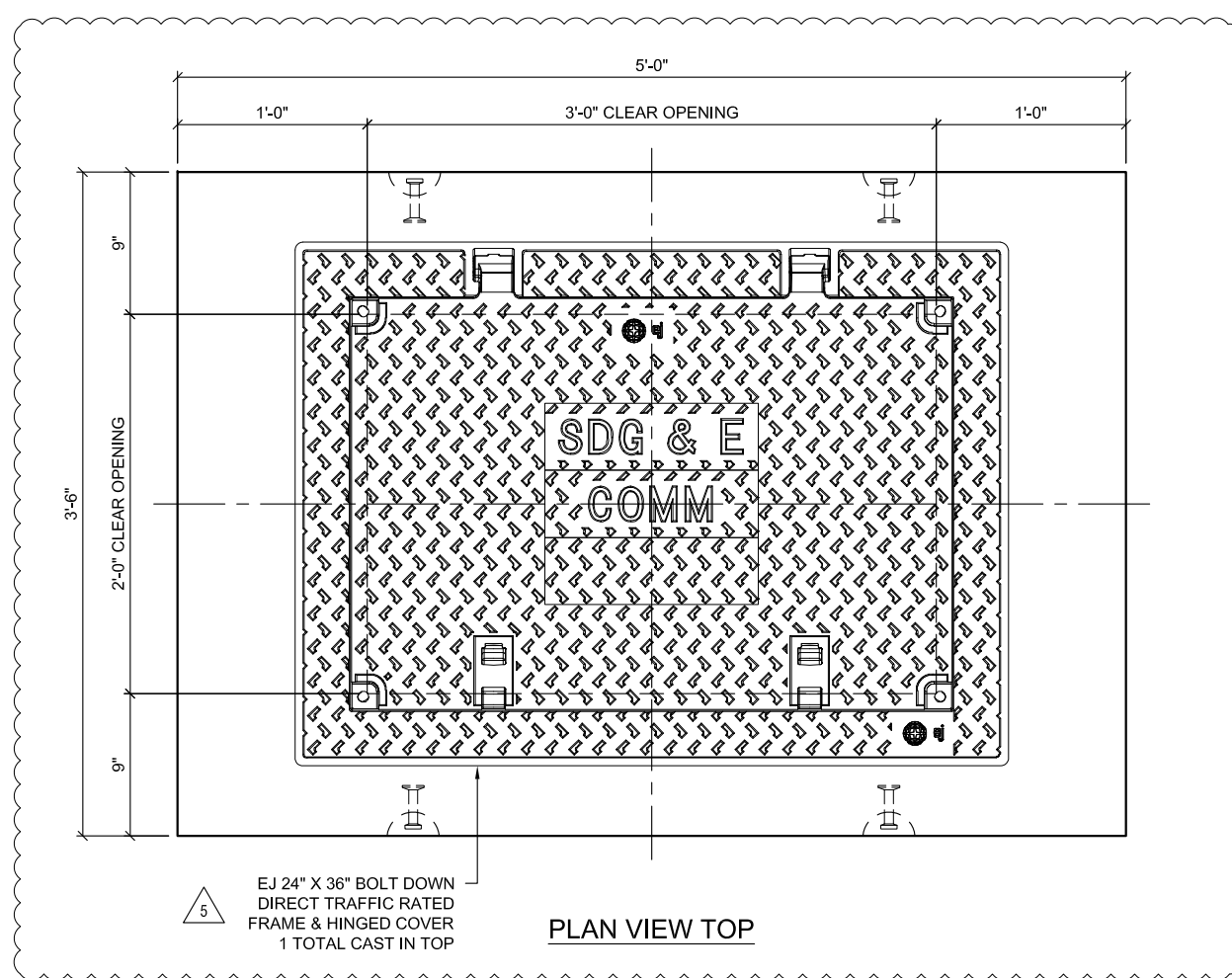
- MATERIALS:**
- CONCRETE 28 DAY STRENGTH, $f_c = 6,000$ PSI
 - CONCRETE STRIPPING STRENGTH, $f_{ci} = 1,500$ PSI MIN
 - REBAR - ASTM A706 GRADE 60

- DESIGN CRITERIA:**
- LIVE LOAD = HS 20
 - HS 20 SURCHARGE = 80 PSF TO 8 FT BELOW GRADE
 - CONCRETE DENSITY = 150 PCF
 - SOIL DENSITY = 120 PCF
 - DRY SOIL LATERAL LOAD = 36 PCF
 - SATURATED SOIL LATERAL LOAD = 80 PCF
 - WATER TABLE DEPTH = 3 FT BELOW GRADE

- GENERAL NOTES:**
- CONTRACTOR SHALL:
 - GROUT AND/OR SEAL ALL JOINTS AS REQUIRED
 - VERIFY ALL DIMENSIONS AND OPENING LOCATIONS
 - DO NOT BACKFILL UNTIL STRUCTURE HAS BEEN COMPLETELY ASSEMBLED
 - TOLERANCES ARE PER ASTM C858

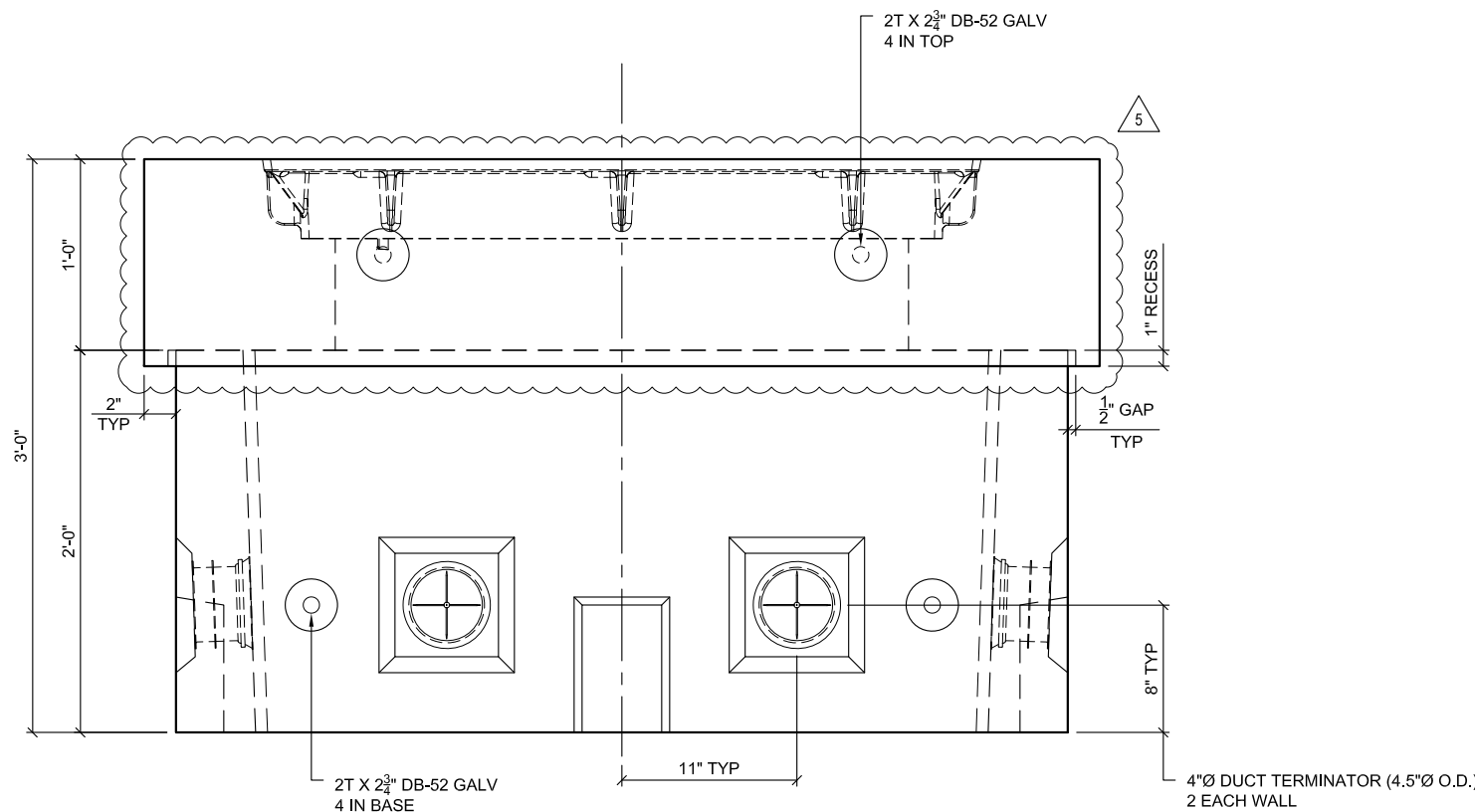


PLAN VIEW BASE

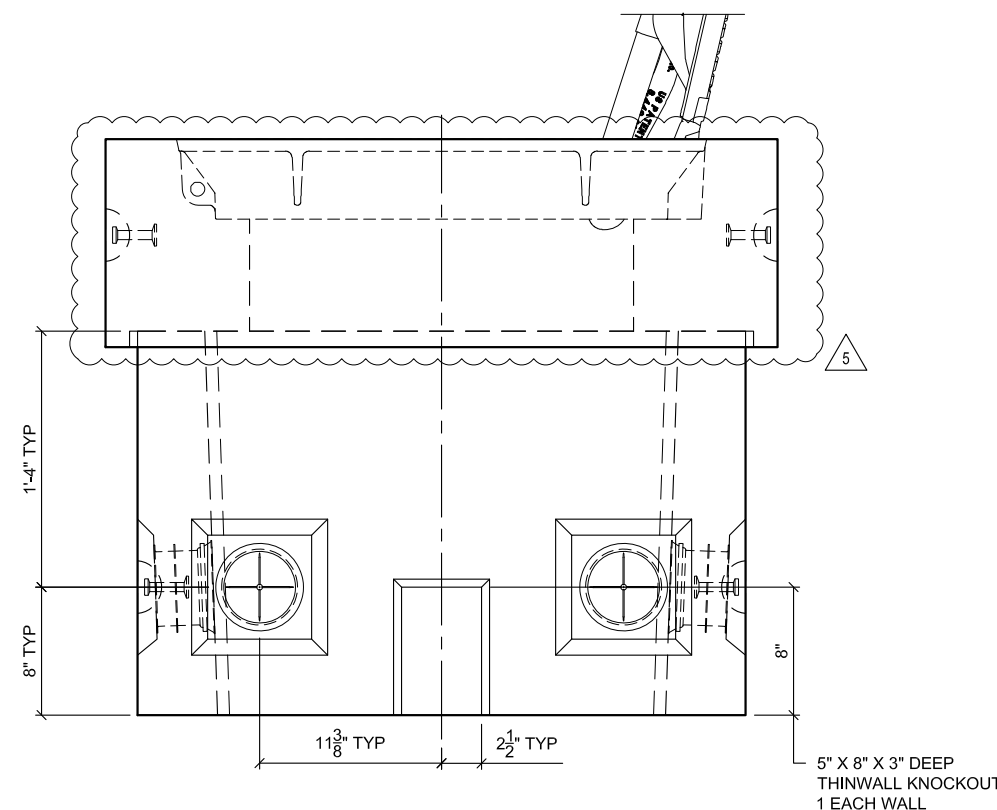


EJ 24" X 36" BOLT DOWN DIRECT TRAFFIC RATED FRAME & HINGED COVER
1 TOTAL CAST IN TOP

PLAN VIEW TOP



VIEW A
VIEW C IDENTICAL



VIEW B
VIEW D IDENTICAL

INDEX OF DRAWINGS			
COMPONENT	DRAWING		ITEM #
	FORM I.D.	WEIGHT LBS	CYD
COMPLETE ASSEMBLY	070-X013017-001		
		2,918	0.72
TOP	070-X0130066-002		
	TBD	1,632	0.40
BASE	070-X0130017-003		
	SD-09	1,285	0.32



THIS DOCUMENT IS THE PROPERTY OF OLDCASTLE PRECAST, INC. IT IS CONFIDENTIAL. SUBMITTED FOR REFERENCE PURPOSES ONLY AND SHALL NOT BE USED IN ANY WAY INJURIOUS TO THE INTERESTS OF, OR WITHOUT THE WRITTEN PERMISSION OF OLDCASTLE PRECAST, INC. COPYRIGHT © 2022 OLDCASTLE PRECAST, INC. ALL RIGHTS RESERVED.

2'-6" X 4'-0" X 3'-0" COMM BOX (3313XL)

SUBMITTAL
SDGE 264-36 COMM BOX (3313XL)
SAN DIEGO GAS & ELECTRIC STANDARD PRODUCT

CUSTOMER			DRAWING SCALE (UNO)
			1" = 1'-0"
DATE DRAWN	JOB NUMBER	ITEM NUMBER	PRODUCTION QUANTITY
10-16-17	SDGE		
DRAWN BY	ENGINEER	SALES	SALES ORDER
WBL/RL	KY	TE	MANUFACTURED AT LAKESIDE
DRAWING NUMBER		REVISION	SHEET
070-X013017-001		5	1 OF 1