



FOR APPROVAL

ONLY

NOT RELEASED FOR FABRICATION

REVISIONS

DATE

BY

A ISSUED FOR SUBMITTAL

01-27-22

MPM

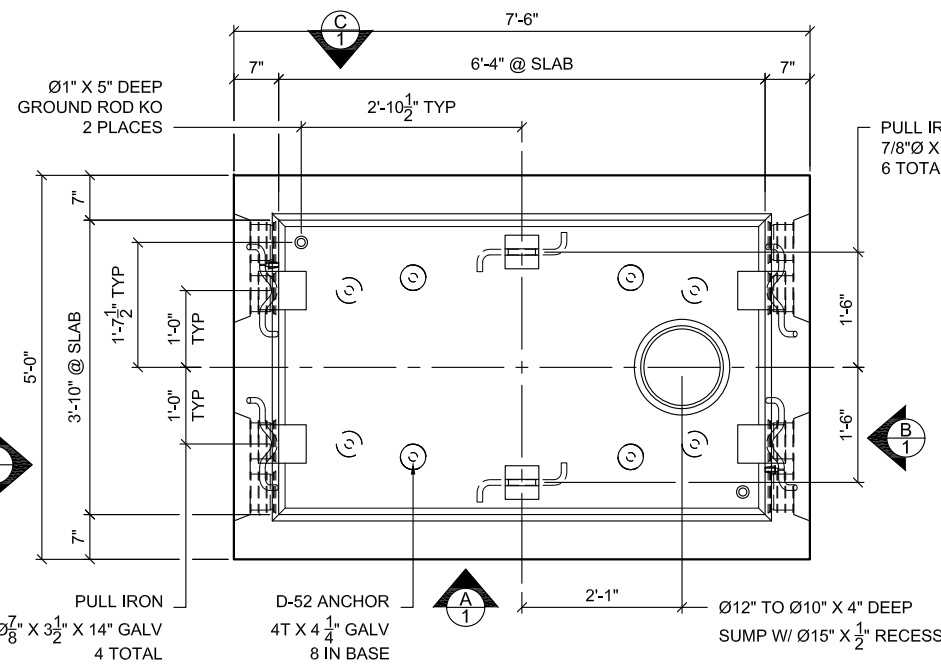
STRUCTURAL NOTES:

- DESIGN SPECIFICATIONS:
- ACI 318-14 BUILDING CODE REQUIREMENTS FOR STRUCTURAL CONCRETE
 - ASTM C857 STANDARD PRACTICE FOR MINIMUM STRUCTURAL DESIGN LOADING FOR UNDERGROUND PRECAST CONCRETE UTILITY STRUCTURES

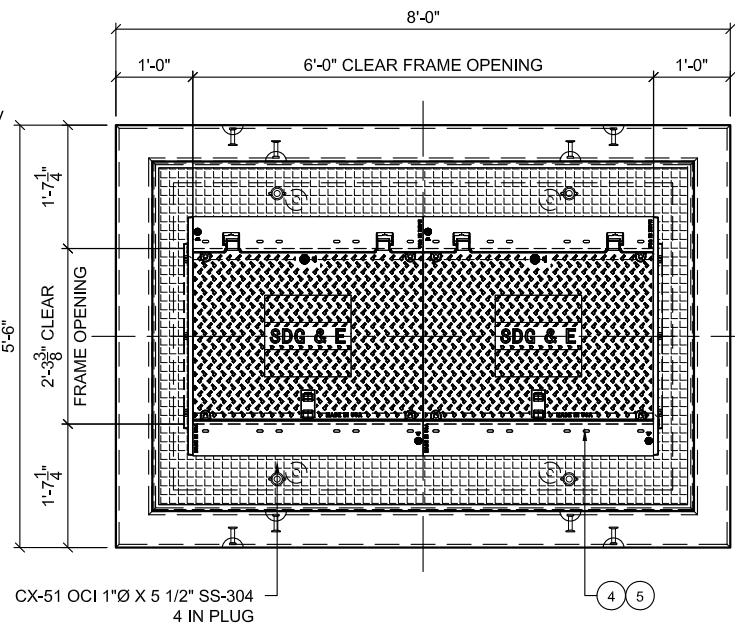
- MATERIALS:
- CONCRETE 28 DAY STRENGTH, $f_c = 6,000$ PSI
 - CONCRETE STRIPPING STRENGTH, $f_{cd} = 1,500$ PSI MIN
 - REBAR - ASTM A706 GRADE 60

- DESIGN CRITERIA:
- LIVE LOAD = HS20 FULL TRAFFIC
 - HS 20 SURCHARGE = 80 PSF TO 8 FT BELOW GRADE
 - CONCRETE DENSITY = 150 PCF
 - SOIL DENSITY = 120 PCF
 - DRY SOIL LATERAL LOAD = 36 PCF
 - SATURATED SOIL LATERAL LOAD = 80 PCF
 - WATER TABLE DEPTH = 3 FT BELOW GRADE
 - SOIL FILL OVER LID = 0FT

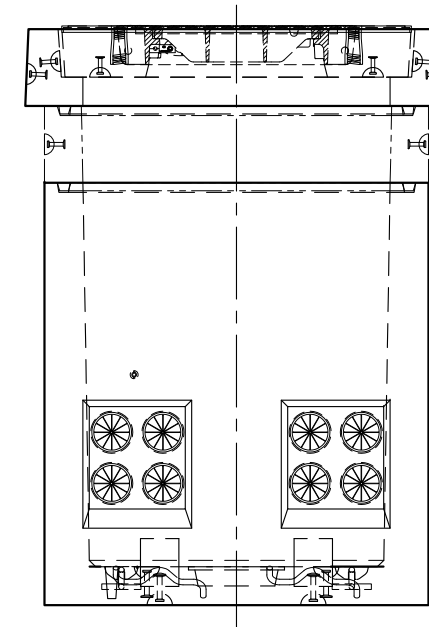
- GENERAL NOTES:
- CONTRACTOR SHALL:
 - GROUT AND/OR SEAL ALL JOINTS AS REQUIRED
 - VERIFY ALL DIMENSIONS AND OPENING LOCATIONS
 - DO NOT BACKFILL UNTIL STRUCTURE HAS BEEN COMPLETELY ASSEMBLED
 - TOLERANCES ARE PER ASTM C858



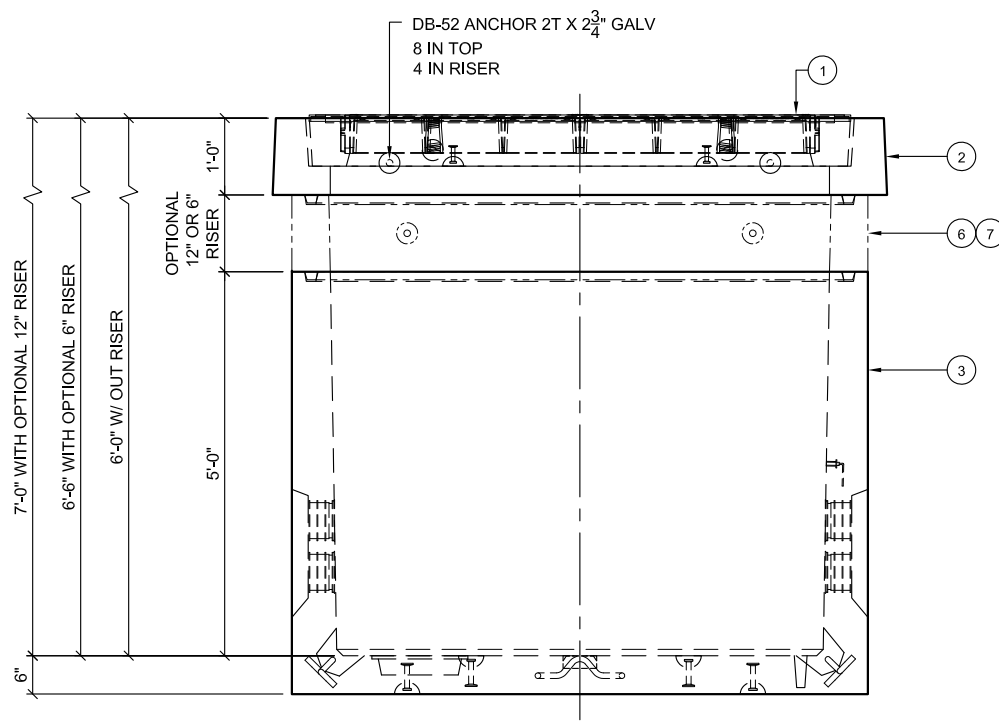
PLAN VIEW BASE



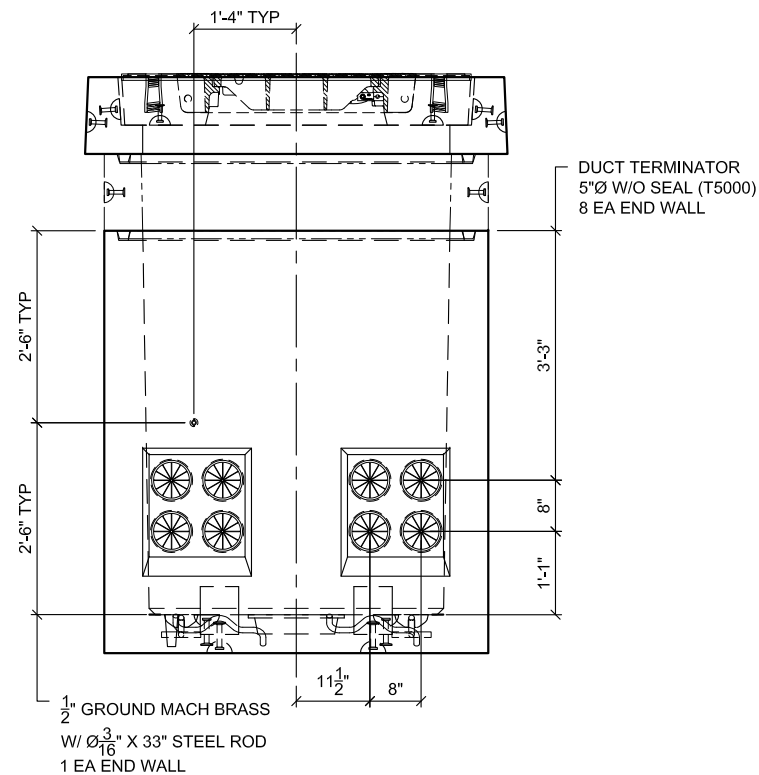
PLAN VIEW NECK & PLUG



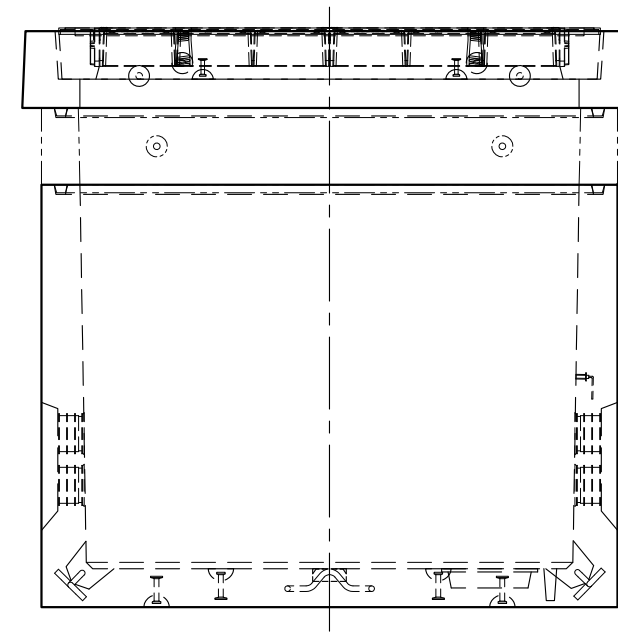
VIEW D



VIEW A



VIEW B



VIEW C

BILL OF MATERIALS

VAULT COMPONENTS			
#	QTY.	DESCRIPTION	ITEM #
1	1	3315DIT (TRAFFIC PLUG)	
2	1	3315NT (TRAFFIC NECK)	990018150
3	1	3315 BASE	990018170
4	2	EJ 00680874B01 DUCTILE IRON COVER (OUTER)	
5	2	EJ 00680894 DUCTILE IRON COVER (INNER)	
OPTIONAL ITEMS			
6	VARIABLES	3315 INTER 12	990018120
7	VARIABLES	3315 INTER 6	990018140

INDEX OF DRAWINGS

COMPONENT	DRAWING		
	FORM I.D.	WEIGHT/LBS	CYD
COMPLETE ASSEMBLY	070-X013074-001	10,797	2.67
PLUG	SD-022	1,899	0.47
	070-X013074-002		
NECK	070-X013067-003		
	SD-026	1,987	0.49
BASE	070-X013030-004		
	SD-001	6,911	1.71

Oldcastle Infrastructure
A CRH COMPANY

10650 HEMLOCK AVENUE FONTANA, CA 92337
P 800.626.3860 | F 909.350.8518

THIS DOCUMENT IS THE PROPERTY OF OLDCASTLE INFRASTRUCTURE, INC. IT IS CONFIDENTIAL, SUBMITTED FOR REFERENCE PURPOSES ONLY AND SHALL NOT BE USED IN ANY WAY INJURIOUS TO THE INTERESTS OF, OR WITHOUT THE WRITTEN PERMISSION OF OLDCASTLE INFRASTRUCTURE, INC. COPYRIGHT © 2019 OLDCASTLE INFRASTRUCTURE, INC. ALL RIGHTS RESERVED.

4'-0" X 6'-6" X 5'-0" PULL BOX (3315DIT)

SUBMITTAL SDGE 3315K/T (STOCK NUMBER)

SAN DIEGO GAS & ELECTRIC STANDARD PRODUCT

CUSTOMER				DRAWING SCALE (UNO)	
				1:30	
DATE DRAWN	JOB NUMBER	ITEM NUMBER	PRODUCTION QUANTITY		
01-18-22	SDGE	990015940			
DRAWN BY	ENGINEER	SALES	SALES ORDER	MANUFACTURED AT	
MPM	KY			LAKESIDE	
DRAWING NUMBER			REVISION	SHEET	
070-X013074-001			A	1 OF 1	