

Material & Style

Fiber Reinforced Polymer
w/ Polymer Concrete Ring

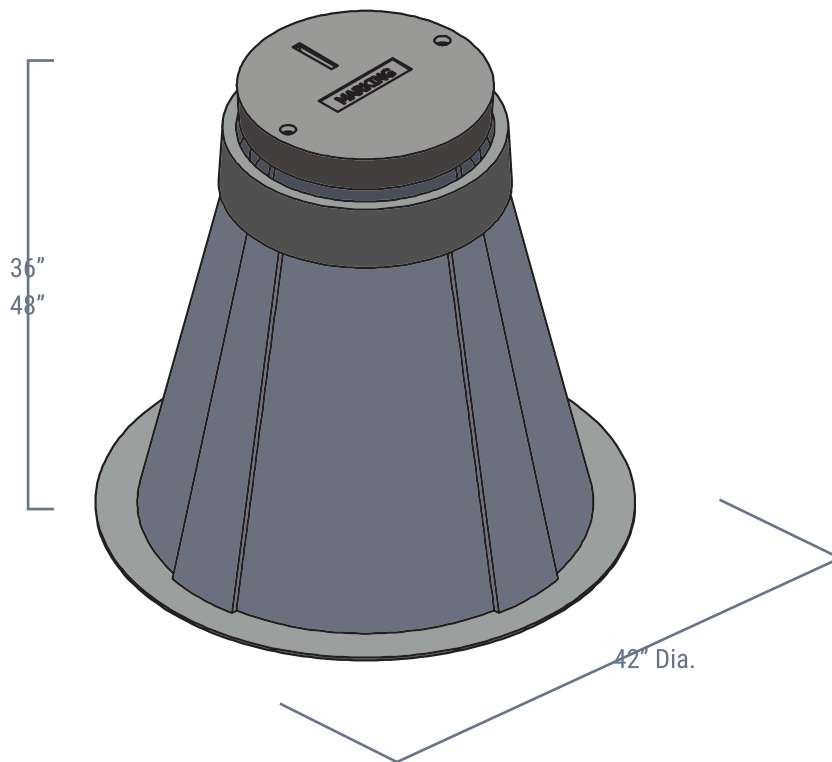
Flared


18" Diameter

36", 48" Depths

Performance & Weight

ANSI/SCTE-77 Tier 15



 **Medium Duty**
ANSI/SCTE TIER 15

For use in non-vehicular traffic situations only. Weights and dimensions may vary slightly. Actual load rating is determined by the box and cover combination.

Fastener Options



Standard Thread



Coil Thread



A



B



C



Bolt Retainer (for standard thread)

Add On Options



Rack Mount



EMS Marker



Ground Bus

- Mouseholes/Knockouts

 **WARNING:** Cancer - www.P65Warnings.ca.gov

All information contained on this sheet is current at the time of publication.
Oldcastle infrastructure reserves the right to discontinue or update product information without notice.

Revision 01/2025

*Lid gaskets inhibit water flow into the box, they do not make enclosure fully waterproof.

© 2025 Oldcastle Infrastructure, Inc.