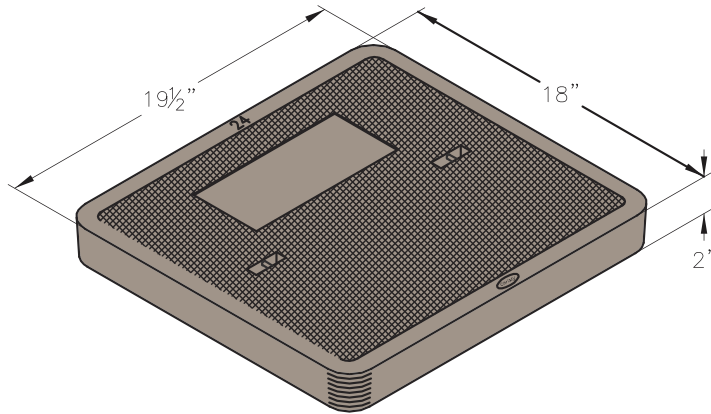


B24 Cover



Material & Style

Reinforced Concrete

Flush

Skid Resistant & Marked*

18" x 19"

52 lbs

Cover comes standard with permanent markings for manufacturer, load rating, model size and manufacturing location.

Performance & Weight

>0.6 ASTM 1028

ASTM C 857

Options

Special Markings



Light Duty
PEDESTRIAN /
GREENBELT

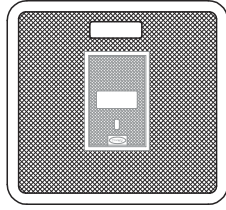
For use in non-vehicular traffic situations only. Weights and dimensions may vary slightly. Actual load rating is determined by the box and cover combination.

All information contained on this sheet is current at the time of publication. Oldcastle Infrastructure reserves the right to discontinue or update product information without notice.

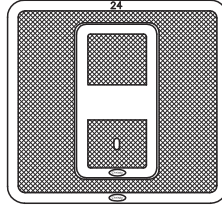
Revision 02/2025

© 2025 Oldcastle Infrastructure, Inc.

B09 Cover



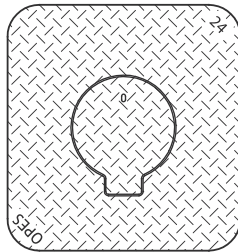
Concrete with
Cast Iron Reader Door



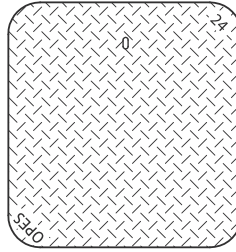
Concrete with
Concrete Reader Lid

Cover Options

- Concrete, Flush Solid
- Concrete, Flush with Cast Iron Reader Door
- Concrete, Flush with Concrete Reader Lid
- Steel Checker Plate, Solid
- Steel Checker Plate, with Reader Door



Steel with 10" Round
Reader Door



Steel Checker Plate

Cover Options

- Galvanizing (Steel Covers)

All information contained on this sheet is current at the time of publication.
Oldcastle Infrastructure reserves the right to discontinue or update product information without notice.

Revision 02/2025

© 2025 Oldcastle Infrastructure, Inc.