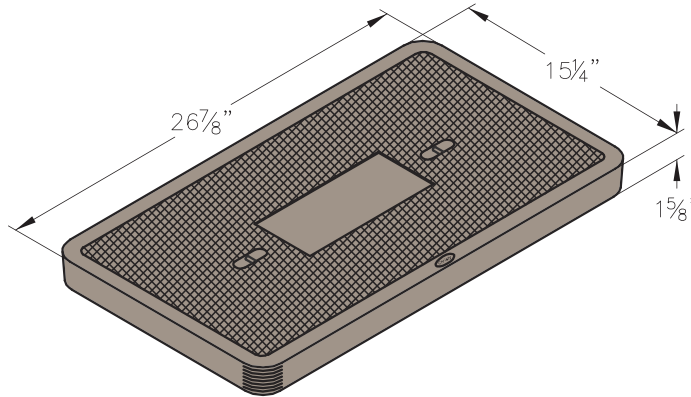


B65 Cover



Material & Style

Reinforced Concrete

Flush

Skid Resistant & Marked*

15" x 27"

56 lbs

Cover comes standard with permanent markings for manufacturer, load rating, model size and manufacturing location.

Performance & Weight

>0.6 ASTM 1028

ASTM C 857, WUC 3.6

Options

Special Markings



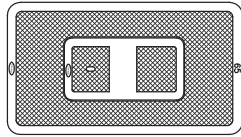
Light Duty
PEDESTRIAN /
GREENBELT

For use in non-vehicular traffic situations only. Weights and dimensions may vary slightly. Actual load rating is determined by the box and cover combination.

All information contained on this sheet is current at the time of publication. Oldcastle Infrastructure reserves the right to discontinue or update product information without notice.

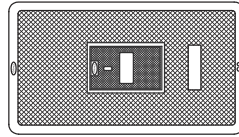
Revision 12/2024

© 2024 Oldcastle Infrastructure, Inc.



Concrete with
Cast Iron Reader Door

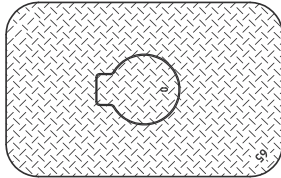
- Concrete, Flush Solid
- Concrete, Flush with Cast Iron Reader Door
- Concrete, Flush with Concrete Reader Lid



Concrete with
Concrete Reader Lid

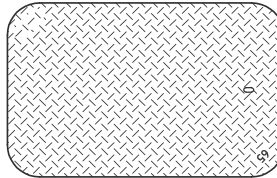
- Concrete, Slab
- Steel Checker Plate, Solid
- Steel Checker Plate, with Reader Door

Cover Options



Steel with 8" Round
Reader Door

- Galvanizing (Steel Covers)



Steel Checker Plate

Cover Options



Light Duty
PEDESTRIAN /
GREENBELT

For use in non-vehicular traffic situations only. Weights and dimensions may vary slightly. Actual load rating is determined by the box and cover combination.

All information contained on this sheet is current at the time of publication. Oldcastle Infrastructure reserves the right to discontinue or update product information without notice.

Revision 12/2024

© 2024 Oldcastle Infrastructure, Inc.