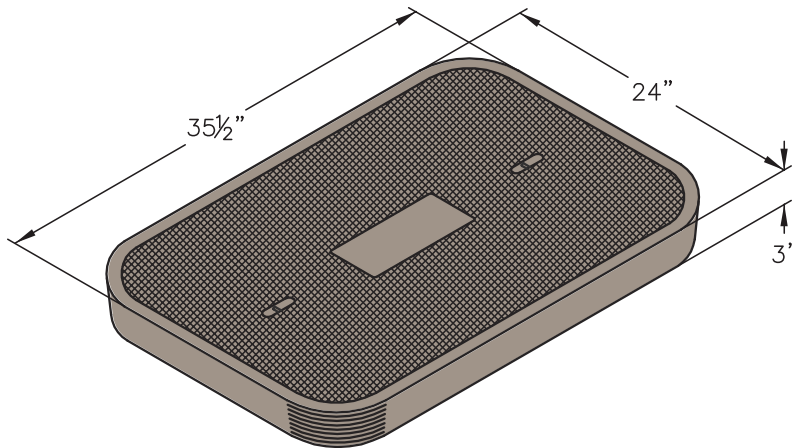


## B40 Cover



### Material & Style

Reinforced Concrete

Flush

Skid Resistant & Marked\*

24" x 36"

196 lbs

Cover comes standard with permanent markings for manufacturer, load rating, model size and manufacturing location.

### Performance & Weight

>0.6 ASTM 1028

ASTM C 857

### Options

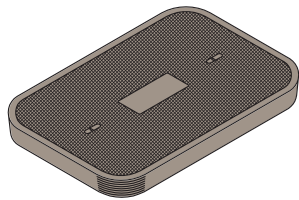
Special Markings



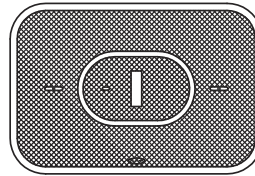
Light Duty  
PEDESTRIAN /  
GREENBELT

For use in non-vehicular traffic situations only. Weights and dimensions may vary slightly. Actual load rating is determined by the box and cover combination.

**B40 Cover**



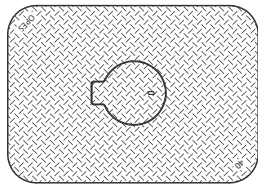
R-Series  
Flush Solid



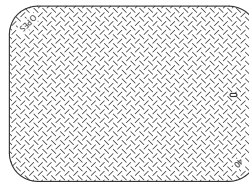
Concrete with  
Concrete Reader Lid

**Cover Options**

- R-Series, Flush Solid
- R-Series, Flush with AMR Opening
- Concrete, Flush with Cast Iron Reader Door
- Concrete, Flush with Concrete Reader Lid
- Steel Checker Plate, Solid
- Steel Checker Plate, with Reader Door



Steel with 6" Round  
Reader Door



Steel  
Checker Plate

**Cover Options**

- Bolt Down Locking (R-Series Covers)
- Galvanizing (Steel Covers)