

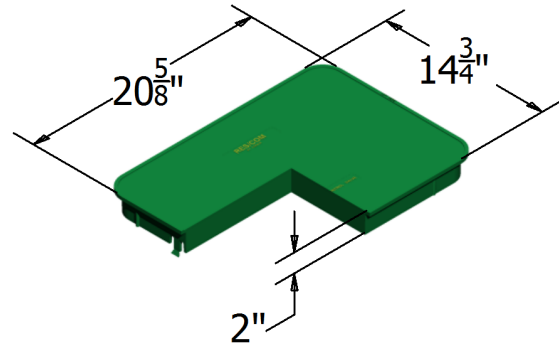
# 012

## CARSON® TrussT

### COVER

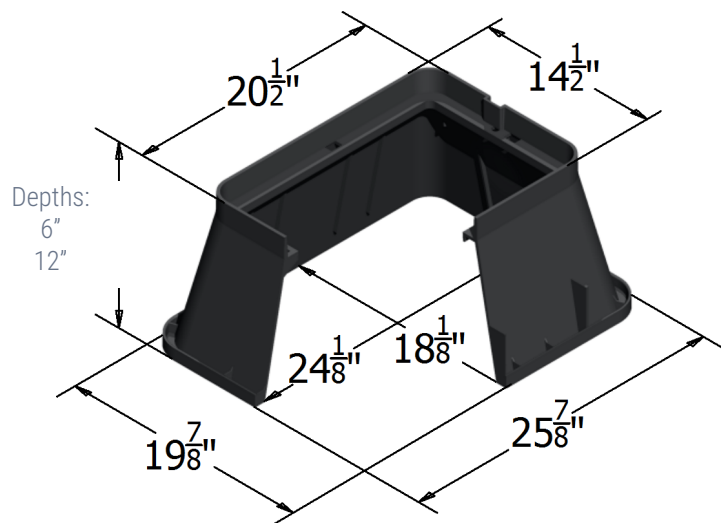
Style:	T-Cover
Material:	HDPE
Model:	15" x 20"
Weight:	5 lbs
Std. Fasteners:	Snap-On
Options:	Logos and Special Markings
Surface:	Skid Resistant & Marked
Performance:	Pedestrian, ASTM C857, WUC 3.6

Cover comes standard with permanent markings for manufacturer and model size.



### BODY

Material:	HDPE
Model:	15" x 20"
Weight:	6" Depth: 6 lbs 12" Depth: 14 lbs
Wall Type:	Flared
Mouseholes:	2
Performance:	Pedestrian, ASTM C857, WUC 3.6



### EXTENSION

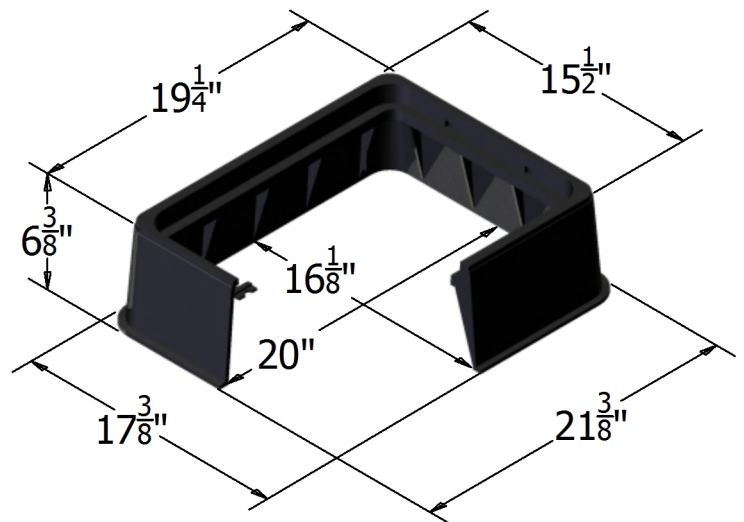
Material:	HDPE
Weight:	4 lbs

### LOAD RATING / NOTES



LIGHT DUTY  
PEDESTRIAN / GREENBELT

For use in non-vehicular traffic situations only.  
Weights and dimensions may vary slightly.  
Actual load rating is determined by the box  
and cover combination.

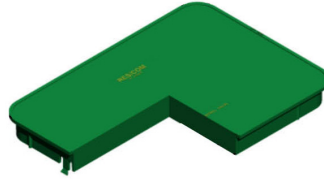


# 012

## CARSON® TrussT

### COVER OPTIONS

HDPE, T-Cover Solid



### COLOR OPTIONS

Cover: Green, Purple

Body: Green, Black, Purple

Extension: Black

### FASTENER OPTIONS

Snap-On

 **WARNING:** Cancer - [www.P65Warnings.ca.gov](http://www.P65Warnings.ca.gov)

All information contained on this sheet is current at the time of publication.  
Oldcastle reserves the right to discontinue or update product information without notice.

Revision 11/30/18  
© 2018 Oldcastle Infrastructure