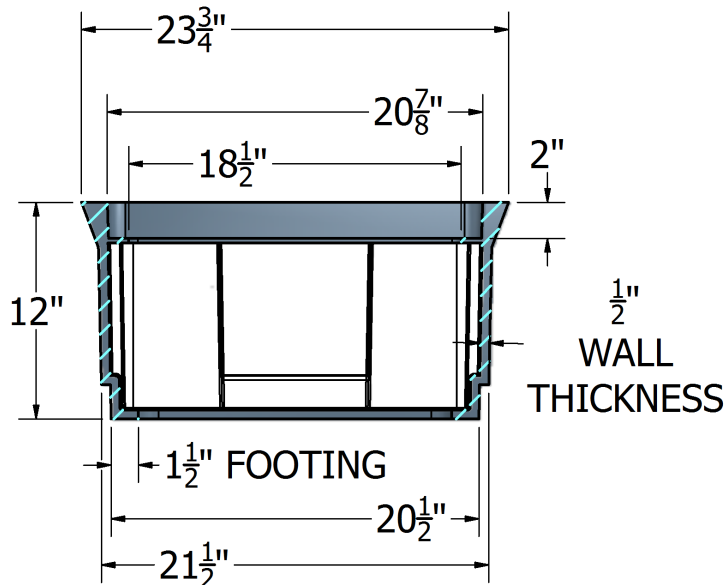
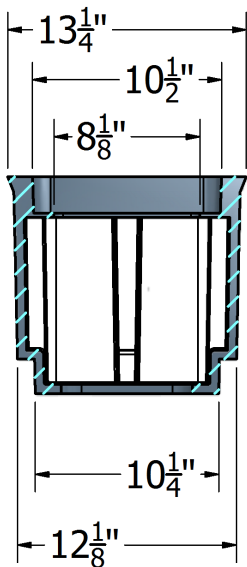



BODY

Material: Polyethylene Blend
 Model: 10" x 20"
 Weight: 18 lbs
 Mouseholes: 0-2



 Medium Duty:
Incidental,
Non-deliberate Traffic

For use in non-vehicular traffic situations only.

Actual load rating is determined by the box and cover combination.

Weights and dimensions may vary slightly.

Cover comes standard with permanent markings for manufacturer, model size and manufacturing location.

Revision 7/2018

©2018 Oldcastle, Inc.

OPTIONS

AVAILABLE LIGHTWEIGHT PLASTIC COVERS:

Flush Solid Cover

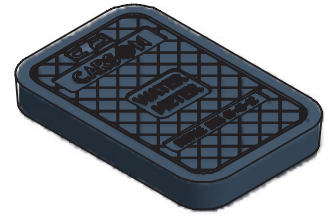
AVAILABLE HEAVY DUTY PLASTIC COVER:

Flush Solid Cover

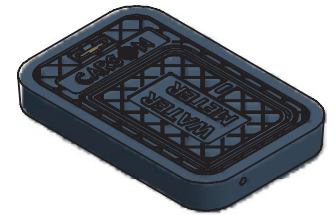
Flush Cover with Cast Iron Reader Door

ADD ON OPTIONS FOR ALL COVERS:

Touch Read Hole



Flush Solid Cover



Reader Door
Detail

RAW MATERIAL SPECIFICATIONS

- Meter Boxes are Polyethylene Blend
- Wall thickness minimum .50"
- Vertical load rating minimum 20,000 lbs
- Multi-layer wall construction

- Black exterior surface to provide UV protection
- Gray foaming for strength and insulating value
- White interior surface for ease of meter reading
- Manufactured by Oldcastle Precast Enclosure Solutions

CAST IRON METER RING AND LID SPECIFICATIONS

- Made of cast iron marked with country of origin
- Coated with a factory applied paint
- Castings are ground smooth and cleaned by shot blasting, uniform quality, free from sand holes, shrinkage, cracks and other surface defects, with a dimensional tolerance of +/- 1/16" per foot based on the accepted foundry tolerances outlined in the Iron Castings Handbook published by the American Foundry Society.

PRODUCT LOAD RATING



Medium Duty: Incidental, Non-deliberate Traffic

For use in non-vehicular traffic situations only. Actual load rating is determined by the box and cover combination.

NOTES

Actual load rating is determined by the box and cover combination. Weights and dimensions may vary slightly