

*Heavywall™* **1527 BCF**

**MATERIAL & STYLE**

Polyethylene Blend  
Straight Wall  
Wall Thickness: 5/16"

**1527-12**

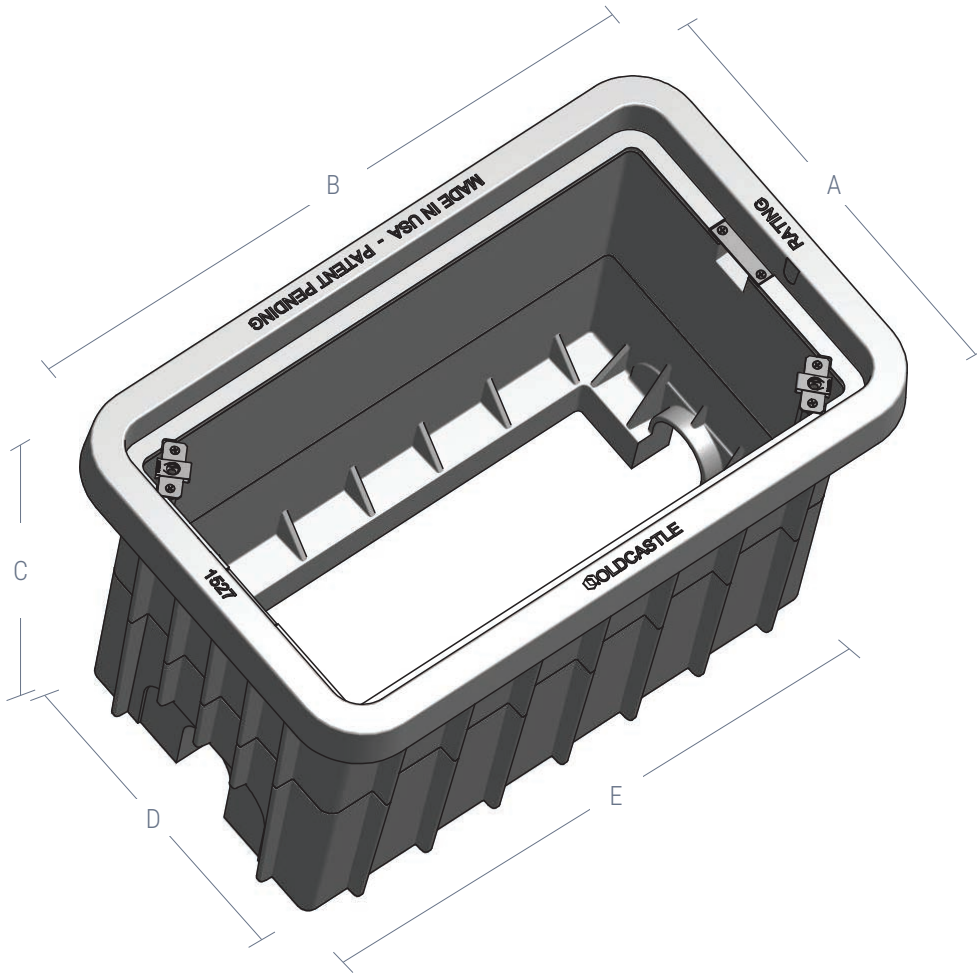
OES 20k Specification  
20,000 lbs Vertical Loading  
16.4 lbs

**1527-18**

OES 20k Specification  
20,000 lbs Vertical Loading  
21.8 lbs

**OPTIONS**

Mouseholes: 0-4



	A	B	C	D	E
1527-12	18 1/8"	29 3/4"	12"	14 15/16"	26 9/16"
1527-18	18 1/8"	29 3/4"	18"	14 15/16"	26 9/16"



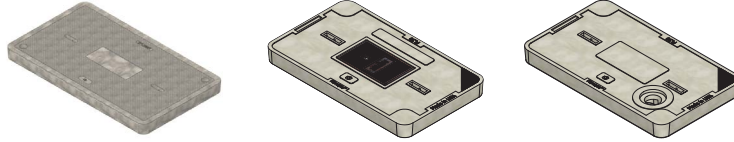
**MEDIUM DUTY**

For use in non-vehicular traffic situations only. Weights and dimensions may vary slightly. Actual load rating is determined by the box and cover combination.

© 2019 Oldcastle Infrastructure, Inc



**OPTIONS**



Available Covers:

- Composite, Flush Solid
- Composite, Flush Solid with Cast Iron Reader Door
- Composite, Flush Solid with AMR Recess

Add On Options:

- Touch Read Hole

 **WARNING:** Cancer - [www.P65Warnings.ca.gov](http://www.P65Warnings.ca.gov)

All information contained on this sheet is current at the time of publication.  
Oldcastle reserves the right to discontinue or update product information without notice.

Revision 10/30/19  
© 2019 Oldcastle Infrastructure, Inc