

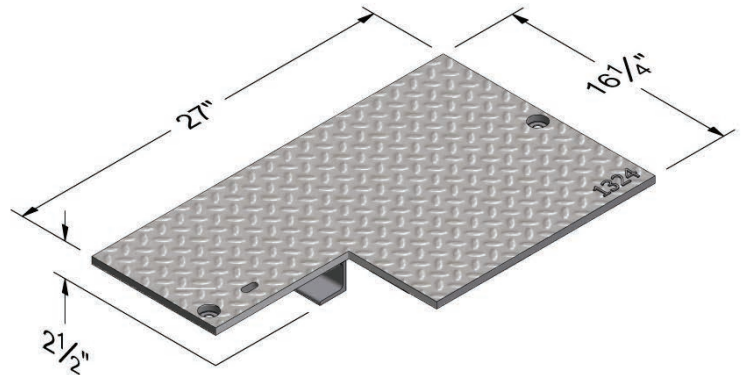
B1324

CHRISTY®

COVER

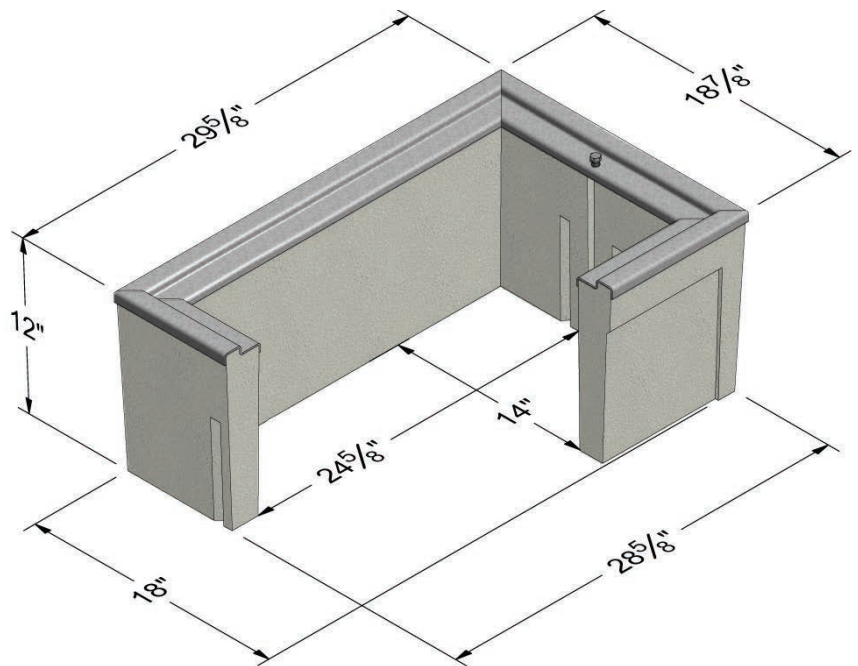
Style:	Flush
Material:	Steel Checker Plate
Model:	16" x 27"
Weight:	70 lbs
Options:	Special Markings
Surface:	Skid Resistant & Marked*
Coefficient of Friction:	>0.6 ASTM 1028
Performance:	H20, AASHTO

Cover comes standard with permanent markings for manufacturer, load rating, model size and manufacturing location.



BODY

Material:	Reinforced Concrete with Steel Frame
Model:	19" x 30"
Weight:	166 lbs
Wall Type:	Straight
Mouseholes:	0
Performance:	H20, AASHTO



COVER OPTIONS

- Reader Door*
- Bolt Down Locking
- Galvanizing
- EMS Marker

LOAD RATING / NOTES

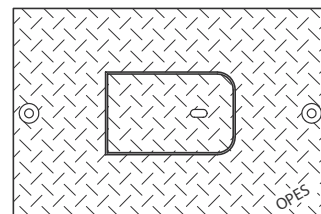


TRAFFIC RATED
AASHTO H20

Actual load rating is determined by the box and cover combination.
*Reader doors are not to be placed in a roadway.

WARNING: Cancer and Reproductive Harm - www.P65Warnings.ca.gov

All information contained on this sheet is current at the time of publication.
Oldcastle reserves the right to discontinue or update product information without notice.



Reader Door* Detail

Revision 05/05/21

© 2021 Oldcastle Infrastructure