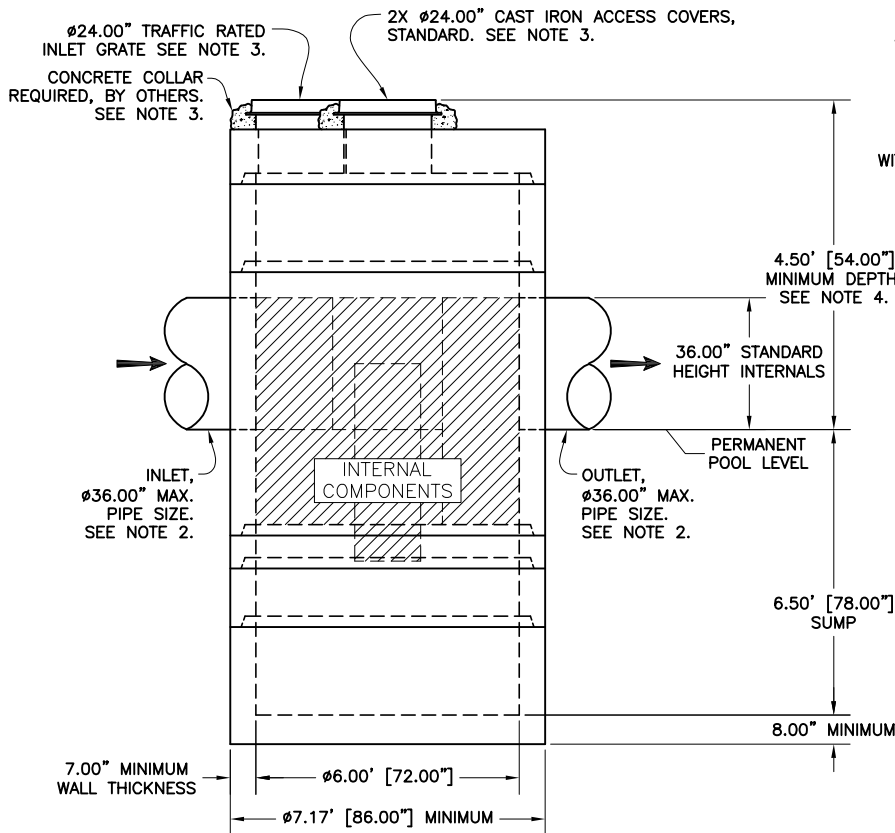
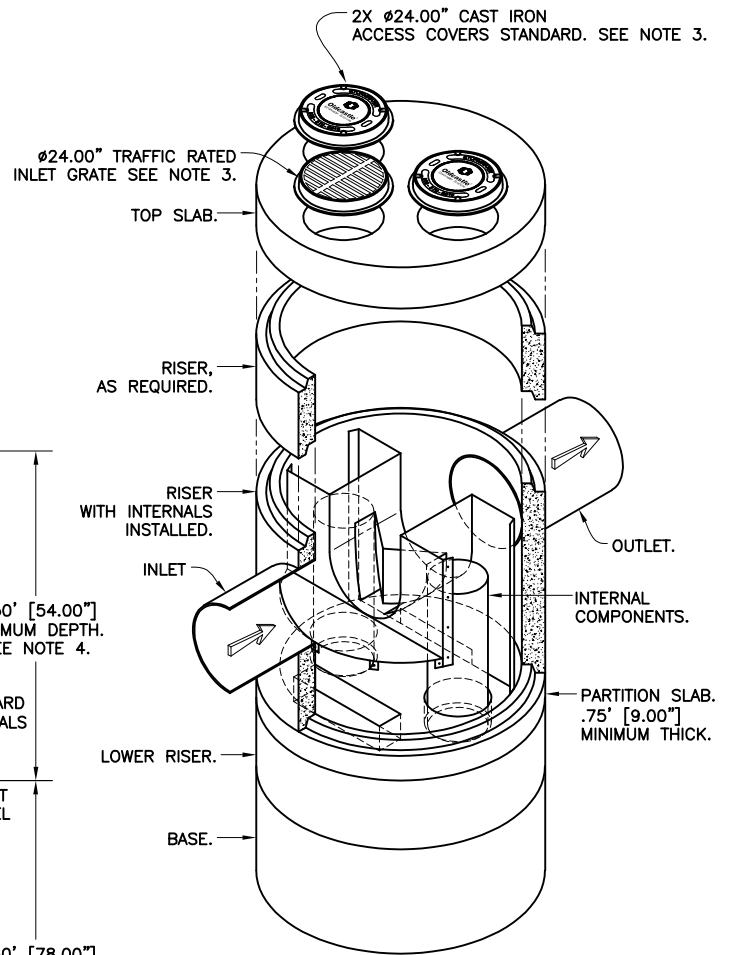


PLAN VIEW



ELEVATION VIEW



ISOMETRIC VIEW

SCALE 3/4

NOTES:

1. TREATMENT CAPACITY IS DEPENDENT ON LOCAL REGULATORY REQUIREMENTS. BYPASS CAPACITY IS DEPENDENT ON OUTLET PIPE DIAMETER. CONTACT OLDCASTLE INFRASTRUCTURE, INC. FOR PROJECT-SPECIFIC TREATMENT AND BYPASS SIZING RECOMMENDATIONS.
2. STANDARD INLET/OUTLET PIPE CONFIGURATION TO ENTER AND EXIT STRUCTURE AT 180°. SPECIAL ANGLED CONFIGURATIONS AVAILABLE.
3. TRAFFIC RATED GRATED INLET AND ACCESS COVERS MAY BE FIELD ADJUSTED TO GRADE. FIELD POURED CONCRETE COLLAR AS REQUIRED, BY OTHERS.
4. FOR DEPTHS LESS THAN THE MINIMUM SHOWN CONTACT OLDCASTLE INFRASTRUCTURE, INC.
5. STRUCTURE SHALL MEET AASHTO HS-20-44 DESIGN LOADING. CONCRETE COMPONENTS MANUFACTURED IN ACCORDANCE WITH ASTM C478 AND C497.
6. UPON REQUEST, OLDCASTLE INFRASTRUCTURE, INC. CAN PROVIDE A PROJECT-SPECIFIC DRAWING WITH DETAILED DIMENSIONS, PICK WEIGHTS, AND SPECIALS (AS REQUIRED).

THIS PRODUCT IS PROTECTED BY THE FOLLOWING US PATENT: 7,182,874; RELATED FOREIGN PATENTS, OR OTHER PATENTS PENDING.



Hydrodynamic Separation

DVS-72C-GI
Dual-Vortex Separator
 Circular Structure with Grated Inlet



Oldcastle Infrastructure™
 A CRH COMPANY

Ph: 800.579.8819 | www.oldcastleinfrastructure.com/stormwater

THIS DOCUMENT IS THE PROPERTY OF OLDCASTLE INFRASTRUCTURE, INC. IT IS SUBMITTED FOR REFERENCE PURPOSES ONLY AND SHALL NOT BE USED IN ANY WAY INJURIOUS TO THE INTERESTS OF SAID COMPANY. COPYRIGHT © 2019 OLDCASTLE INFRASTRUCTURE, INC. ALL RIGHTS RESERVED.

DRAWING NO. DVS-72C-GI	REV NR	ECO ECO-0145	DATE NEW 1/11/19	JPR 1/11/19	SHEET 1 OF 1
---------------------------	-----------	-----------------	---------------------	-------------	--------------