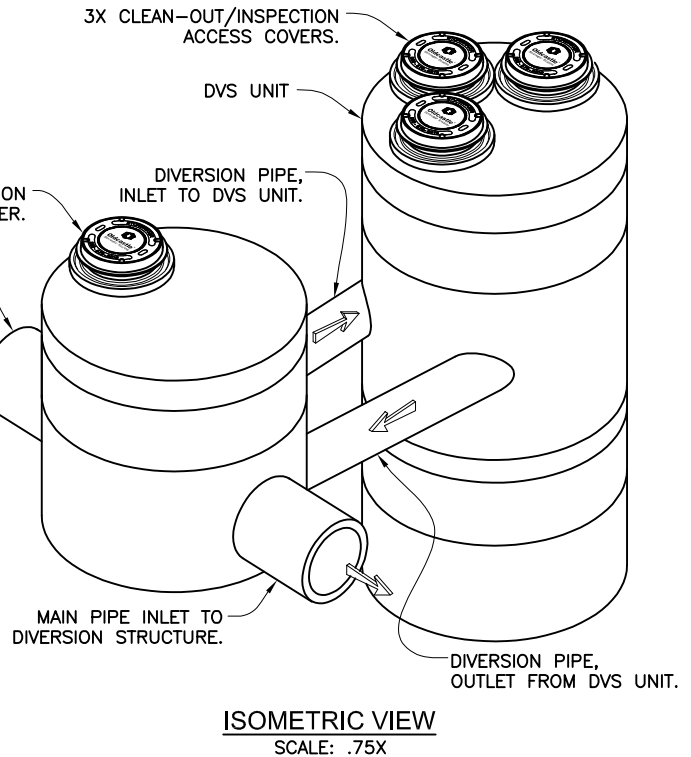
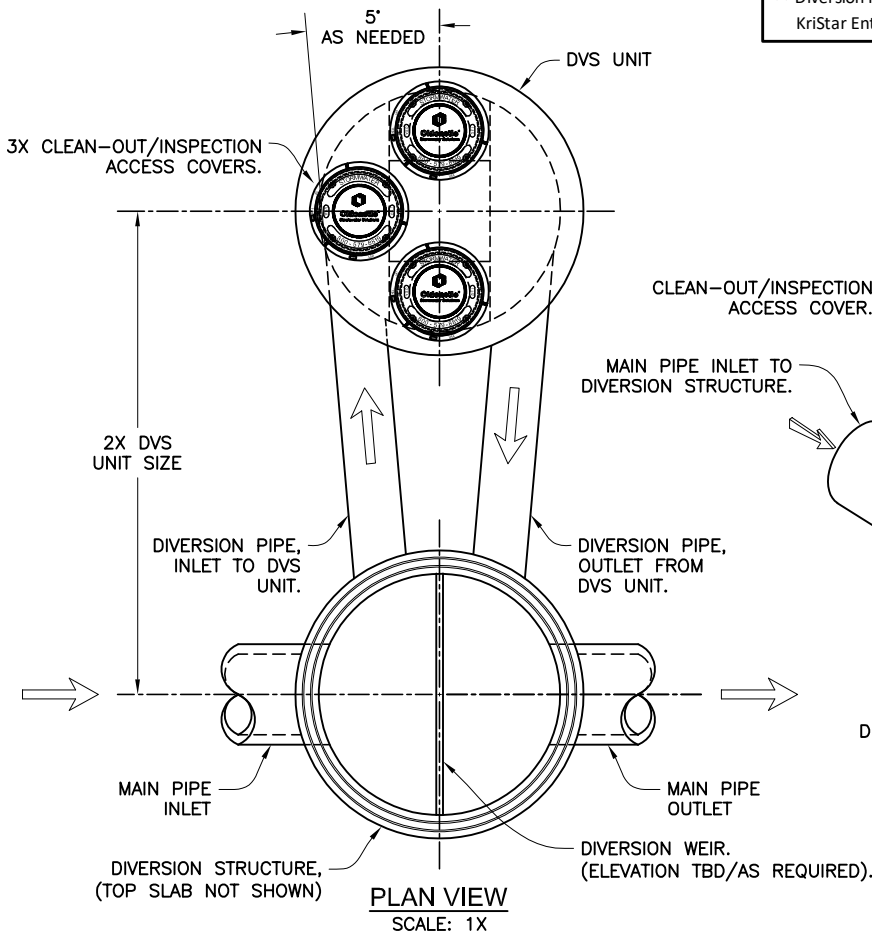


Offline Circular Dual-Vortex Configuration Chart

Maximum Main/Diversion Pipe Sizes:

Unit Size	Diversion Structure Size							
	36"	48"	60"	72"	84"	96"	120"	144"
DVS-36	10/4	12/6						
DVS-48		12/6	18/8					
DVS-60			15/10	24/10				
DVS-72				24/12	36/15			
DVS-84					42/12	42/18		
DVS-96						30/12	48/15	
DVS-120						42/15	48/15	48/18
DVS-144						48/21	60/21	60/24

- Default Center-Center distance between diversion structure and separator of 2X separator ID.
- Diversion Pipe: RCP 12" and above, HDPE below 12". For pipe types & sizes not shown contact KriStar Enterprises for Engineering assistance.



Hydrodynamic
Separation

Dual-Vortex Separator Offline Configuration Circular Structure



Oldcastle Infrastructure™
A CRH COMPANY

Ph: 800.579.8819 | www.oldcastleinfrastructure.com/stormwater

THIS DOCUMENT IS THE PROPERTY OF OLDCASTLE INFRASTRUCTURE, INC. IT IS SUBMITTED FOR REFERENCE PURPOSES ONLY AND SHALL NOT BE USED IN ANY WAY INJURIOUS TO THE INTERESTS OF SAID COMPANY. COPYRIGHT © 2019 OLDCASTLE INFRASTRUCTURE, INC. ALL RIGHTS RESERVED.

DRAWING NO. DVS-C-OL-0001	REV E	ECO ECO-0152	DATE JPR 1/10/19	DATE JPR/JMcD 5/21/09	SHEET 1 OF 1
------------------------------	----------	-----------------	---------------------	--------------------------	--------------