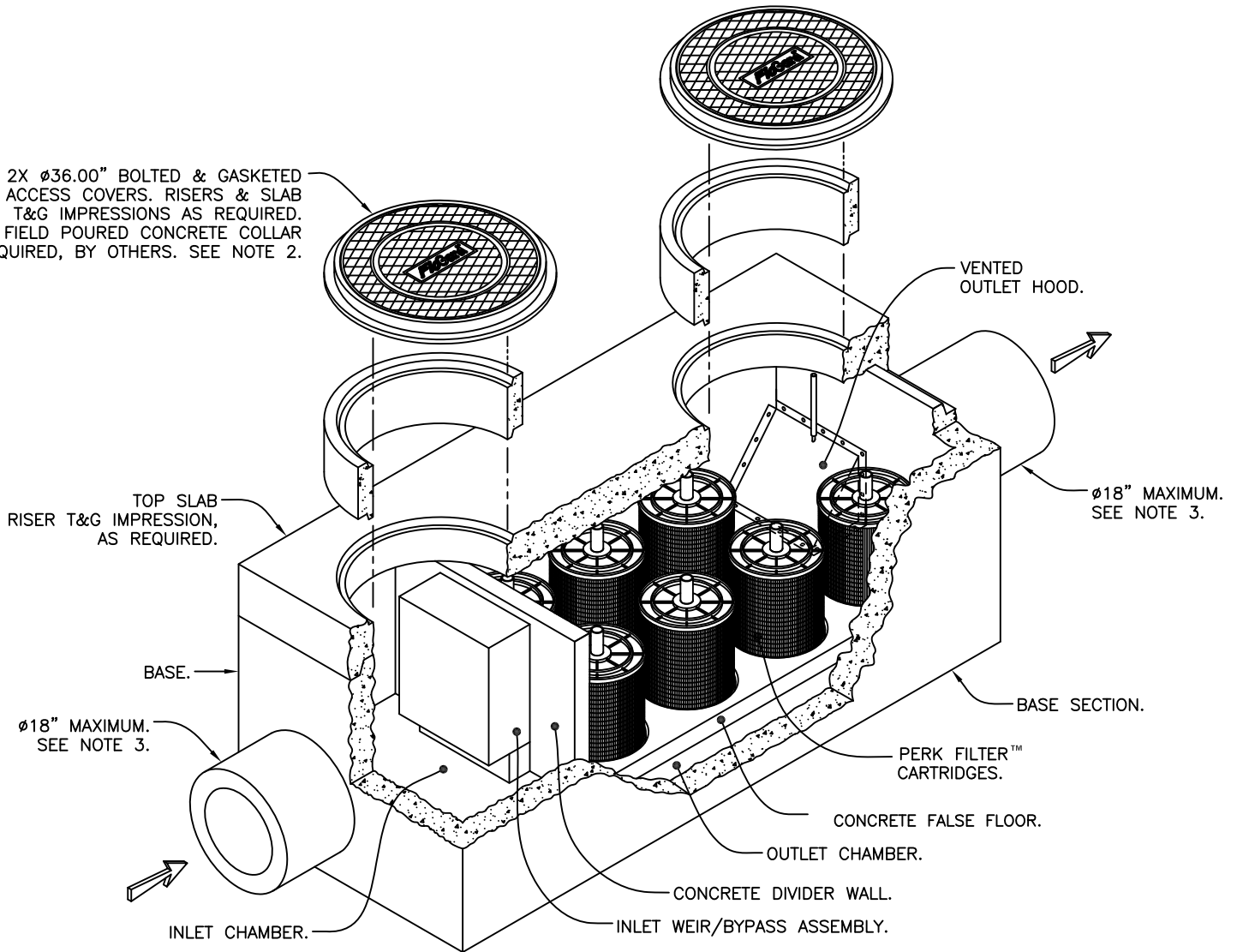


2X Ø36.00" BOLTED & GASKETED ACCESS COVERS. RISERS & SLAB T&G IMPRESSIONS AS REQUIRED. FIELD POURED CONCRETE COLLAR REQUIRED, BY OTHERS. SEE NOTE 2.



Notes:

1. Precast concrete structure shall be manufactured in accordance with ASTM Designation C857 and C858.
2. Filter system shall be supplied with traffic rated (H20) bolted & gasketed Ø36" circular access covers with risers as required. Shallow applications may require configurations with (H20) bolted & gasketed square/rectangular access hatches. Field poured concrete collars required, by others.
3. Inlet & outlet pipe(s) (Ø 18" maximum) may enter device on all three sides of the inlet & outlet chambers respectively.
4. Inlet chamber shall be supplied with a drain-down device designed to remove standing water between storm events.
5. For depths less than specified minimums contact Oldcastle® Stormwater Solutions for engineering assistance.



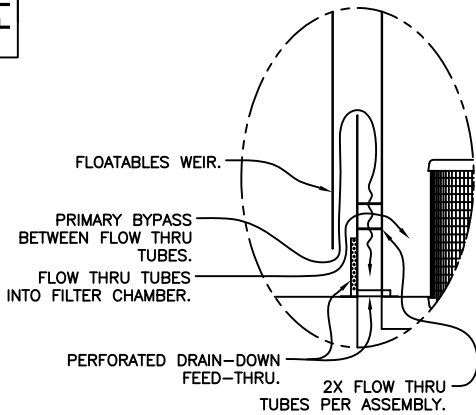
**PerkFilter™**  
 4' Wide Concrete Vault  
 Three to Eight Cartridges / Stacks



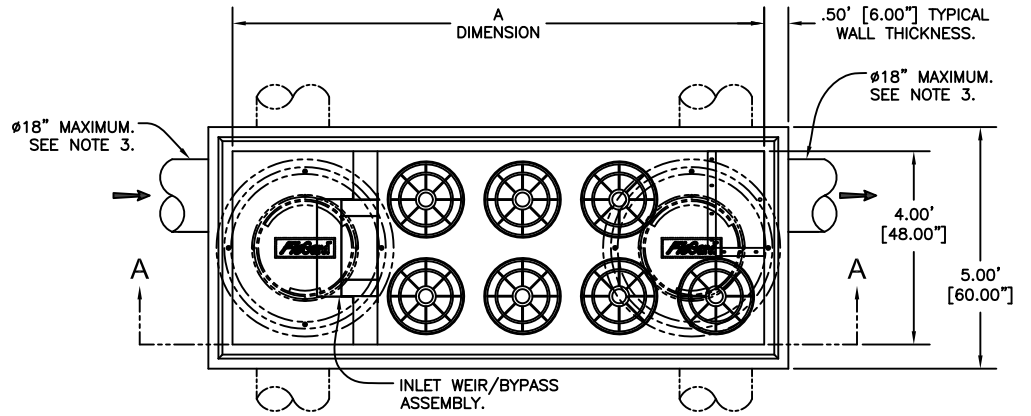
**Oldcastle Infrastructure™**  
 A CRH COMPANY

THIS DOCUMENT IS THE PROPERTY OF OLDCASTLE INFRASTRUCTURE. IT IS SUBMITTED FOR REFERENCE PURPOSES ONLY AND SHALL NOT BE USED IN ANY WAY INJURIOUS TO THE INTERESTS OF SAID COMPANY. COPYRIGHT © 2020 OLDCASTLE INFRASTRUCTURE ALL RIGHTS RESERVED.

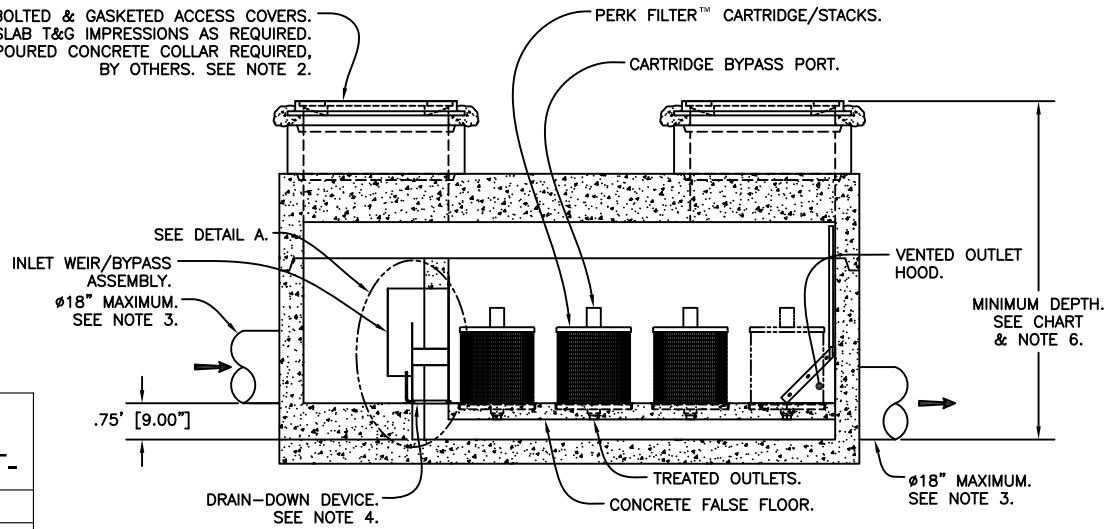
DRAWING NO. PF-V-4-0001	REV F	DATE CJS 6/17/20	SHEET 1 OF 2
----------------------------	----------	---------------------	--------------



**DETAIL A**  
INLET WEIR/BYPASS ASSEMBLY  
& DRAIN-DOWN.  
SCALE: NONE



2X  $\phi 36.00$ " BOLTED & GASKETED ACCESS COVERS.  
RISERS & SLAB T&G IMPRESSIONS AS REQUIRED.  
FIELD POURED CONCRETE COLLAR REQUIRED,  
BY OTHERS. SEE NOTE 2.



**SECTION A-A**

**MINIMUM DEPTH  
-RIM TO OUTLET INVERT-**

CARTRIDGE STACK CONFIGURATION			
12"	18"	12" + 12"	12" + 18"
4.25'	5.00'	5.92'	6.67'

**4' VAULT**  
TREATMENT FLOW RATES, TOTAL FLOW CAPACITIES & MAXIMUM HEAD LOSS

CARTRIDGE STACK QUANTITY	A DIMENSION -LENGTH- (ID - FT)	CARTRIDGE STACK CONFIGURATION							
		12"		18"		12" + 12"		12" + 18"	
		TREATMENT FLOW RATE (GPM / CFS)	TOTAL FLOW CAPACITY (CFS)	TREATMENT FLOW RATE (GPM / CFS)	TOTAL FLOW CAPACITY (CFS)	TREATMENT FLOW RATE (GPM / CFS)	TOTAL FLOW CAPACITY (CFS)	TREATMENT FLOW RATE (GPM / CFS)	TOTAL FLOW CAPACITY (CFS)
3	8	36 / 0.08	2.9	54 / 0.12	4.3	72 / 0.16	5.0	90 / 0.20	6.7
4	8	48 / 0.11	2.9	72 / 0.16	4.4	96 / 0.21	5.0	120 / 0.27	6.8
5	12	60 / 0.13	2.9	90 / 0.20	4.4	120 / 0.27	5.1	150 / 0.33	6.8
6	12	72 / 0.16	3.0	108 / 0.24	4.5	144 / 0.32	5.1	180 / 0.40	6.9
7	12	84 / 0.19	3.0	126 / 0.28	4.5	168 / 0.37	5.2	210 / 0.47	7.0
8	12	96 / 0.21	3.0	144 / 0.32	4.5	192 / 0.43	5.2	240 / 0.53	7.0
MAXIMUM HEAD LOSS		1.7 FT		2.3 FT		2.9 FT		3.5 FT	



**PerkFilter™**  
4' Wide Concrete Vault

Media Filtration

Three to Eight Cartridges / Stacks



**Oldcastle Infrastructure™**  
A CRH COMPANY

THIS DOCUMENT IS THE PROPERTY OF OLDCASTLE INFRASTRUCTURE. IT IS SUBMITTED FOR REFERENCE PURPOSES ONLY AND SHALL NOT BE USED IN ANY WAY INJURIOUS TO THE INTERESTS OF SAID COMPANY. COPYRIGHT © 2020 OLDCASTLE INFRASTRUCTURE. ALL RIGHTS RESERVED.

DRAWING NO. PF-V-4-0001	REV F	DATE CJS 6/17/20	SHEET 2 OF 2
----------------------------	----------	---------------------	--------------