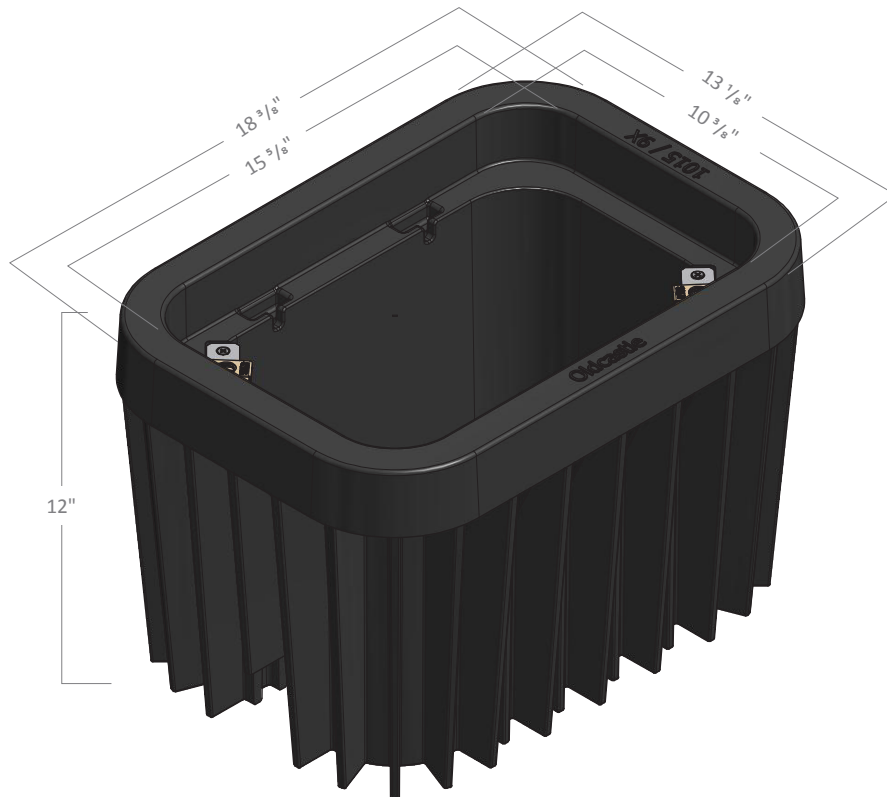
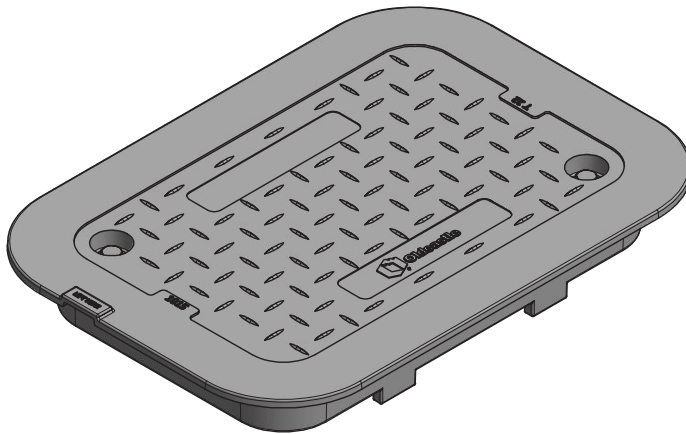


Bolt Down Detail



**COVER**

- Style: T Cover
- Material: Polyolefin Blend
- Model: 10" x 15"
- Weight: 6 lbs
- Std. Fasteners: Hex Bolt
- Options: Logos and Special Markings
- Surface: Skid Resistant & Marked\*
- Performance: ANSI/SCTE-77, Tier 22

**BODY**

- Material: Polyolefin Blend
- Model: 10" x 15"
- Depth: 12"
- Weight: 15.3 lbs
- Wall Type: Straight
- Performance: ANSI/SCTE-77, Tier 22



For use in non-vehicular traffic situations only.

Actual load rating is determined by the box and cover combination.

Weights and dimensions may vary slightly.

Cover comes standard with permanent markings for manufacturer, load rating, model size and manufacturing location.

**OPTIONS**

**AVAILABLE POLYOLEFIN BLEND COVER:**

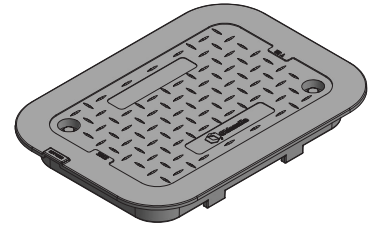
T Cover

**LOCKING OPTIONS FOR ALL COVERS:**

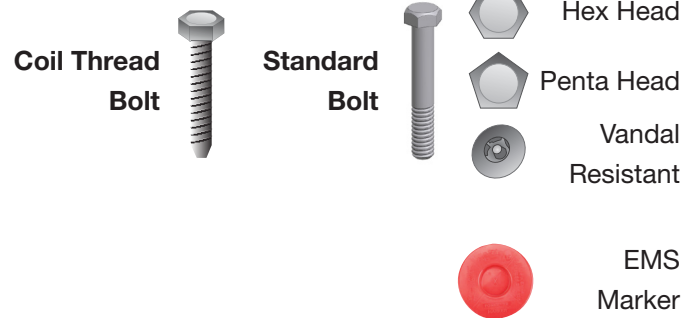
- Hex Head Bolt Down
- Penta Head Bolt Down
- Vandal Resistant Bolt Down
- Hex Head Coil Thread Bolt

**ADD ON OPTIONS:**

EMS Marker



Polyolefin Blend  
T Cover



Coil Thread  
Bolt

Standard  
Bolt

Hex Head

Penta Head

Vandal  
Resistant

EMS  
Marker

**PRODUCT  
LOAD RATING**



**Heavy Duty: Incidental, Non-deliberate traffic**  
For use in non-vehicular traffic situations only. Actual load rating is determined by the box and cover combination.

**NOTES**

Actual load rating is determined by the box and cover combination.  
Weights and dimensions may vary slightly