



**THE FOLLOWING MEASUREMENTS ARE REQUIRED TO PLACE AN ORDER**

**CONTACT INFORMATION**

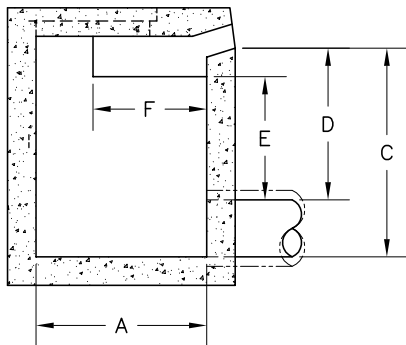
<b>CONTACT DETAILS</b>	Company:	
	Job Name:	
	Job Address:	City/State/Zip:
	Contact Name:	
	Email:	Phone:

**INLET, FRAME & GRATE INFORMATION**

<b>TYPE</b>	Inlet Type (e.g. PA Type M):	Grate MFG/Model (e.g. Neenah R-2060):
	Frame Model #:	Grate Type (Check One): <input type="checkbox"/> Cast Iron <input type="checkbox"/> Steel

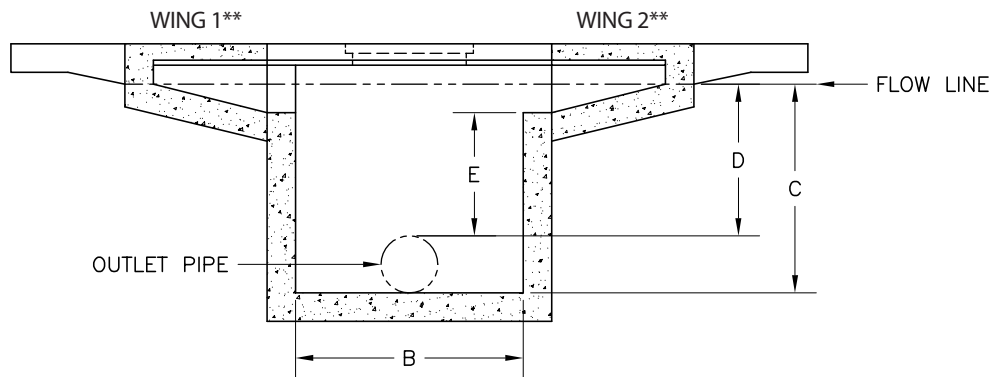
**PLEASE PROVIDE MEASUREMENTS WITHIN 1/8" TO GUARANTEE ACCURATE INSTALLATION\***

**Side View**



A \_\_\_\_\_  
Measure from front wall to back wall of inlet

**Front View**



B \_\_\_\_\_  
Measure inside width of inlet

C \_\_\_\_\_  
Measure from inlet flow line to bottom of structure

D \_\_\_\_\_  
Measure from inlet flow line to top of outlet

**Wing 1**  
\*\*if applicable

E1 \_\_\_\_\_  
Measure from bottom of wing to top of outlet

F1 \_\_\_\_\_  
Measure from front wall of inlet to back of wing

**Wing 2**  
\*\*if applicable

E2 \_\_\_\_\_  
Measure from bottom of wing to top of outlet

F2 \_\_\_\_\_  
Measure from front wall of inlet to back of wing

**Inlet Pipes?**

Do you have inlet pipes? Y  N  If yes, depth from flow line to top of pipe \_\_\_\_\_ Pipe inside diameter \_\_\_\_\_ Need to be filled? Y  N

**Notes:** If any obstructions or protrusions exist within the catch basin, please provide photos and accurate measurements to ensure proper installation. Submittal of this form represents that the customer acknowledges that all details provided are accurate, and that any issues resulting from inaccurate information herein are the responsibility of said customer. \*Use second page for additional catch basins.



**THE FOLLOWING MEASUREMENTS ARE REQUIRED TO PLACE AN ORDER**

**PLEASE PROVIDE MEASUREMENTS WITHIN 1/8" TO GUARANTEE ACCURATE INSTALLATION**

A - Measure from front wall to back wall of inlet

B - Measure inside width of inlet

C - Measure from inlet flow line to bottom of structure

D - Measure from inlet flow line to top of outlet

E1- Measure from bottom of wing to top of outlet

F1- Measure from front wall of inlet to back of wing

E2- Measure from bottom of wing to top of outlet

F2- Measure from front wall of inlet to back of wing

Quantity/ Drain #	Measure from front wall to back of wall inlet	Measure inside width of inlet	Measure from inlet flow line to bottom of structure	Measure from inlet flow line to top of outlet	Wing 1 **if applicable		Wing 2 **if applicable	
	A	B	C	D	E1	F1	E2	F2

**NOTES:**

**Notes:** If any obstructions or protrusions exist within the catch basin, please provide photos and accurate measurements to ensure proper installation. Submittal of this form represents that the customer acknowledges that all details provided are accurate, and that any issues resulting from inaccurate information herein are the responsibility of said customer.