



**THE FOLLOWING MEASUREMENTS ARE REQUIRED TO PLACE AN ORDER**

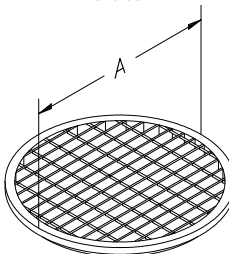
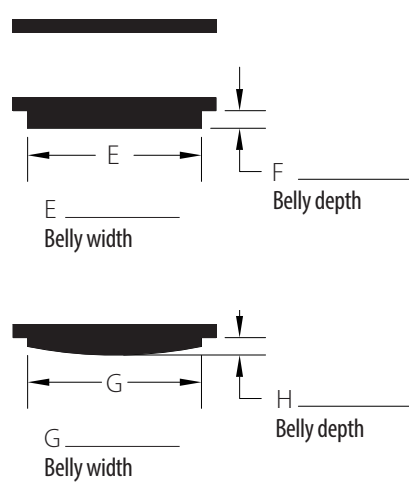
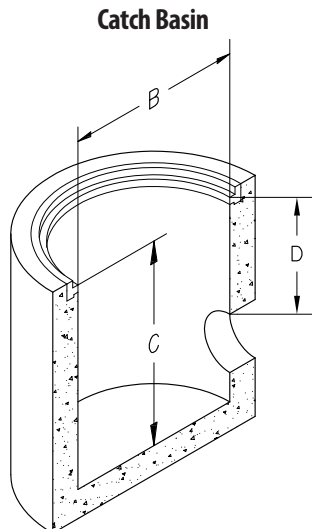
**CONTACT INFORMATION**

<b>CONTACT DETAILS</b>	Company:	
	Job Name:	
	Job Address:	City/State/Zip:
	Contact Name:	
	Email:	Phone:

**INLET, FRAME & GRATE INFORMATION**

<b>TYPE</b>	Inlet Type (e.g. PA Type M):	Grate MFG/Model (e.g. Neenah R-2060):
	Frame Model #:	Grate Type (Check One): <input type="checkbox"/> Cast Iron <input type="checkbox"/> Steel

**PLEASE PROVIDE MEASUREMENTS WITHIN 1/8" TO GUARANTEE ACCURATE INSTALLATION\***

<p>A _____ Grate outside dimensions</p> 	<p><b>Grate type (pick one):</b></p> <p>Flat <input type="checkbox"/></p> <p>Square belly <input type="checkbox"/></p> <p>Round belly <input type="checkbox"/></p>	<p><b>Grate section</b></p> 
<p>B _____ Diameter of frame clear opening or wall to wall inside the catch basin, whichever is less</p> <p>C _____ Total inside depth below grate</p> <p>D _____ Bottom of grate to top of outlet pipe</p> 	<p><b>Inlet Pipes?</b></p> <p>Do you have inlet pipes? Y <input type="checkbox"/> N <input type="checkbox"/> If yes, bottom of grate to top of pipe _____ Pipe inside diameter _____ Need to be filled? Y <input type="checkbox"/> N <input type="checkbox"/></p>	

**Notes:** If any obstructions or protrusions exist within the catch basin, please provide photos and accurate measurements to ensure proper installation. Submittal of this form represents that the customer acknowledges that all details provided are accurate, and that any issues resulting from inaccurate information herein are the responsibility of said customer. \* Use second page for additional catch basins.



**THE FOLLOWING MEASUREMENTS ARE REQUIRED TO PLACE AN ORDER**

**PLEASE PROVIDE MEASUREMENTS WITHIN 1/8" TO GUARANTEE ACCURATE INSTALLATION**

A - Grate outside dimensions

B - Diameter of frame clear opening or wall to wall inside the catch basin, whichever is less

C - Total inside depth below grate

D - Bottom of grate to top of outlet pipe

E - Square belly width

F - Square belly depth

G - Round belly width

H - Round belly depth

Quantity/ Drain #	Grate outside dimensions	Diameter of frame clear opening	Total inside depth below grate	Bottom of grate to top of outlet pipe	Square belly grate		Round belly grate	
					Square belly width	Square belly depth	Round belly width	Round belly depth
					A	B	C	D

**NOTES:**

**Notes:** If any obstructions or protrusions exist within the catch basin, please provide photos and accurate measurements to ensure proper installation. Submittal of this form represents that the customer acknowledges that all details provided are accurate, and that any issues resulting from inaccurate information herein are the responsibility of said customer.