



THE FOLLOWING MEASUREMENTS ARE REQUIRED TO PLACE AN ORDER

CONTACT INFORMATION

CONTACT DETAILS	Company:		
	Job Name:		
	Job Address:		City/State/Zip:
	Contact Name:		
	Email:	Phone:	

INLET, FRAME & GRATE INFORMATION

TYPE	Inlet Type (e.g. PA Type M):	Grate MFG/Model (e.g. Neenah R-2060):
	Frame Model #:	Grate Type (Check One): <input type="checkbox"/> Cast Iron <input type="checkbox"/> Steel

PLEASE PROVIDE MEASUREMENTS WITHIN 1/8" TO GUARANTEE ACCURATE INSTALLATION*

Outlet Pipe

Location of outlet

End

Side

Bottom

Distance from end

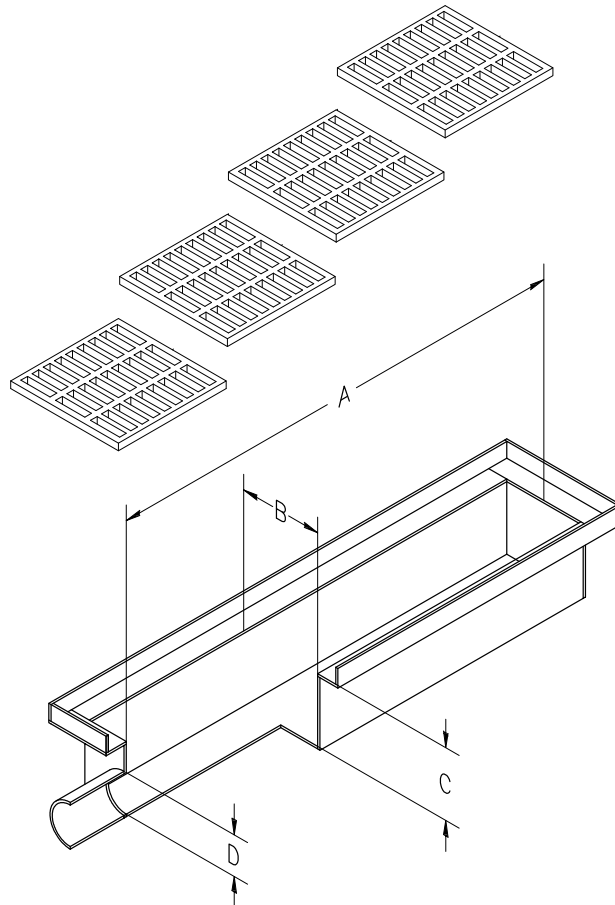
Shape of channel

Square

V-shape

U-shape

Trench Drain



A _____
Length of trench drain

B _____
Internal width of channel

C _____
Depth from bottom of grate to floor

D _____
Outlet inside diameter

Notes: If any obstructions or protrusions exist within the catch basin, please provide photos and accurate measurements to ensure proper installation. Submittal of this form represents that the customer acknowledges that all details provided are accurate, and that any issues resulting from inaccurate information herein are the responsibility of said customer. * Use second page for additional catch basins.



THE FOLLOWING MEASUREMENTS ARE REQUIRED TO PLACE AN ORDER

PLEASE PROVIDE MEASUREMENTS WITHIN 1/8" TO GUARANTEE ACCURATE INSTALLATION

- A - Length of trench drain
- B - Internal width of channel
- C - Depth from bottom of grate to floor
- D - Outlet inside diameter

Quantity/ Drain #	Length of trench drain	Internal width of channel	Depth from bottom of grate to floor	Outlet inside diameter
	A	B	C	D

NOTES:

Notes: If any obstructions or protrusions exist within the catch basin, please provide photos and accurate measurements to ensure proper installation. Submittal of this form represents that the customer acknowledges that all details provided are accurate, and that any issues resulting from inaccurate information herein are the responsibility of said customer.