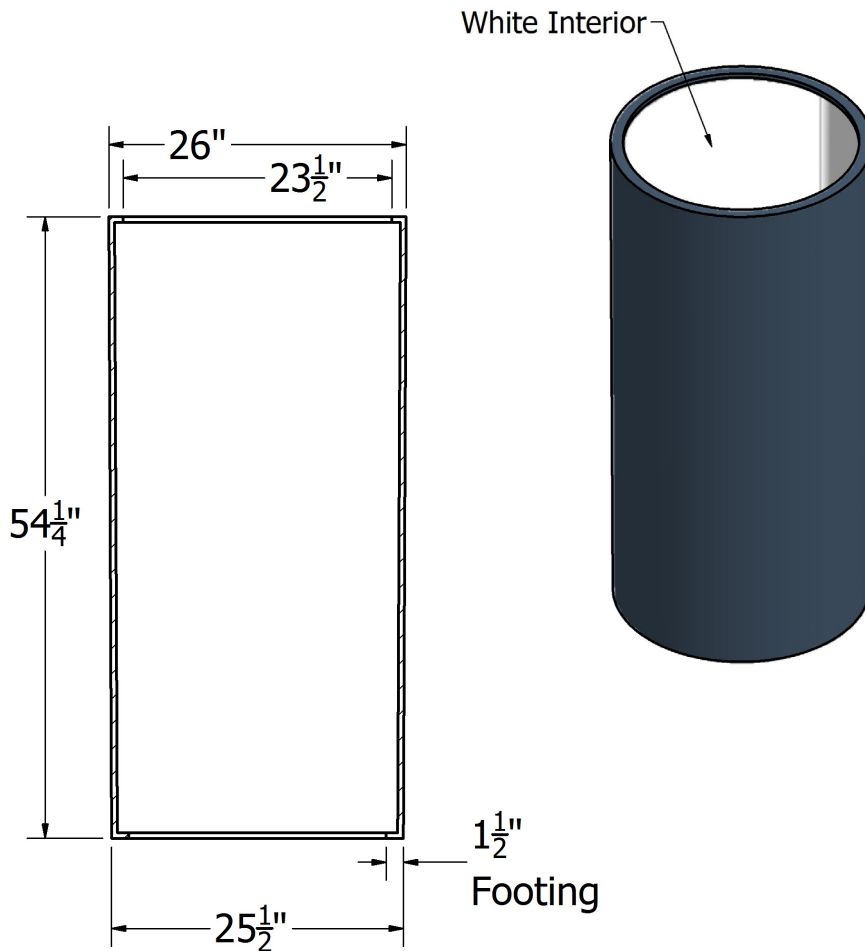


Heavywall  
**0024-S**

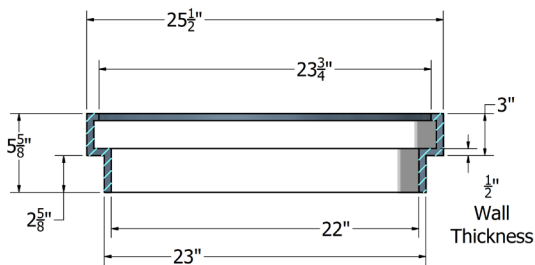


**BODY:**

Material: Polyethylene Blend  
Model: 24" Dia.  
Weight: 55" Depth: 57 lbs  
Mouseholes: 2

**EXTENSION:**

Material: Polyethylene Blend  
Weight: 3" Depth: 8 lbs



**Medium Duty:**  
Non-deliberate Traffic

For use in non-vehicular traffic situations only.

We do not recommend installation in concrete or asphalt.

Actual load rating is determined by the box and cover combination. Weights and dimensions may vary slightly.

\*Cover comes standard with permanent markings for manufacturer, load rating, model size and manufacturing location.

Contact your Oldcastle Enclosure Solutions Distribution Center for specific information and additional options.

Heavywall  
**0024-S**

**Options:**

**Available Plastic Covers:**

MSIL1 Plastic Cover (for use with cast iron frame)

**Available Monitor Set:**

Cast Iron Cover with Cast Iron Frame (2 Piece)  
(Requires use of Expander Ring)

**Add On Options for Cast Iron Cover:**

Touch Read Hole

**Locking Options for Cast Iron Cover:**

Penta Nut (Small or Large)



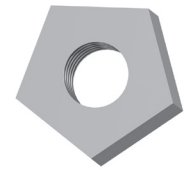
MSIL1



Cast Iron Cover



Cast Iron Frame



Penta Nut Detail

**Raw Material Specifications:**

- Meter Boxes are high-density Polyethylene, one-piece molded construction
- Wall thickness minimum .550"
- Vertical load rating minimum 15,000 lbs.
- Sidewall loading of 200 lb side load, applied with a 4" X 4" plate.
- Multi-layer wall construction
- Black exterior surface to provide UV protection
- Gray foaming for strength and insulating value
- White interior surface for ease of meter reading
- Manufactured by Oldcastle Precast Enclosure Solutions

**Cast Iron Meter Ring and Lid Specifications:**

- Made of cast iron conforming to ASTM A48 standards and marked with country of origin
- Coated with a factory applied water based asphalt paint
- Castings are ground smooth and cleaned by shot blasting, uniform quality, free from sand holes, shrinkage, cracks and other surface defects, with a dimensional tolerance of +/- 1/16" per foot based on the accepted foundry tolerances outlined in the Iron Castings Handbook published by the American Foundry Society.

**Product Load Rating:**



Medium Duty : Non-Deliberate Traffic

**Note:**

Actual load rating is determined by the box and cover combination. Weights and dimensions may vary slightly

All information contained on this sheet is current at the time of printing.

Oldcastle Precast, Inc. reserves the right to discontinue or update product information without notice.

