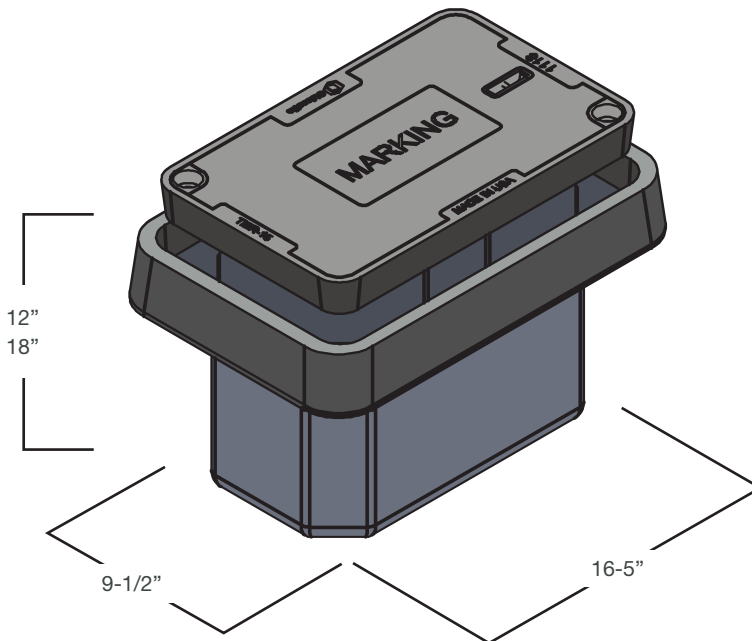




**COVER**

Style: Flush  
 Material: Polymer Concrete  
 Model: 11" x 18"  
 Std. Fasteners: 1/2"-13 Stainless Steel Hex Head Bolt, Washer and Floating Nut  
 Options: Logos and Special Markings  
 Surface: Slip Resistant  
 Performance: ANSI/SCTE-77 Tier 15



**BODY**

Material: Fiber Reinforced Polymer w/ Polymer Concrete Ring  
 Model: 11" x 18"  
 Depths: 12", 18"  
 Wall Type: Straight  
 Performance: ANSI/SCTE-77 Tier 15



Medium Duty:  
 Incidental,  
 Non-deliberate Traffic

For use in non-vehicular traffic situations only.

Actual load rating is determined by the box and cover combination.

Weights and dimensions may vary slightly.

**OPTIONS**

**AVAILABLE POLYMER COVER:**

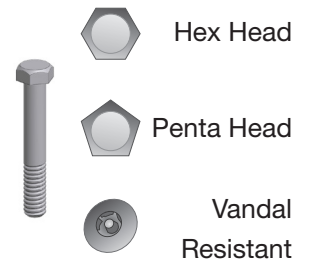
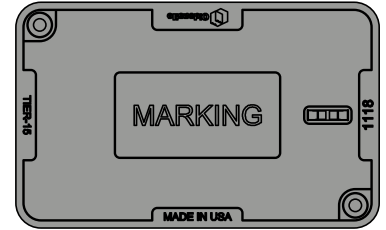
Flush

**FASTENER OPTIONS FOR POLYMER COVERS:**

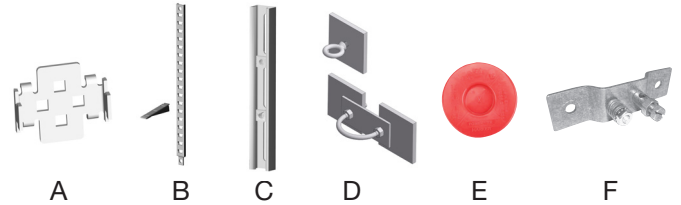
- Penta Head Bolt
- Oldcastle Enclosures Vandal Resistant Bolt
- Penta Coil Thread Bolt
- Captive Bolt Retainer

**ADD ON OPTIONS:**

- EMS Marker (E)
- Mouseholes/Knockouts
- Rack Mount (A)
- Cable Racks/Cable Arms (B)
- Unistrut (C)
- Pulling Eye - 1,000 lb and 3,000 lb (D)
- Ground Buss (F)
- Dividers
- Racking Provision
- Lid Gaskets\*



\*Lid Gaskets inhibit water flow into the box, they do not make enclosure fully waterproof.



**PRODUCT LOAD RATING**



**Medium Duty: Incidental, Non-deliberate traffic**  
For use in non-vehicular traffic situations only. Actual load rating is determined by the box and cover combination.

**NOTES**

Actual load rating is determined by the box and cover combination. Weights and dimensions may vary slightly