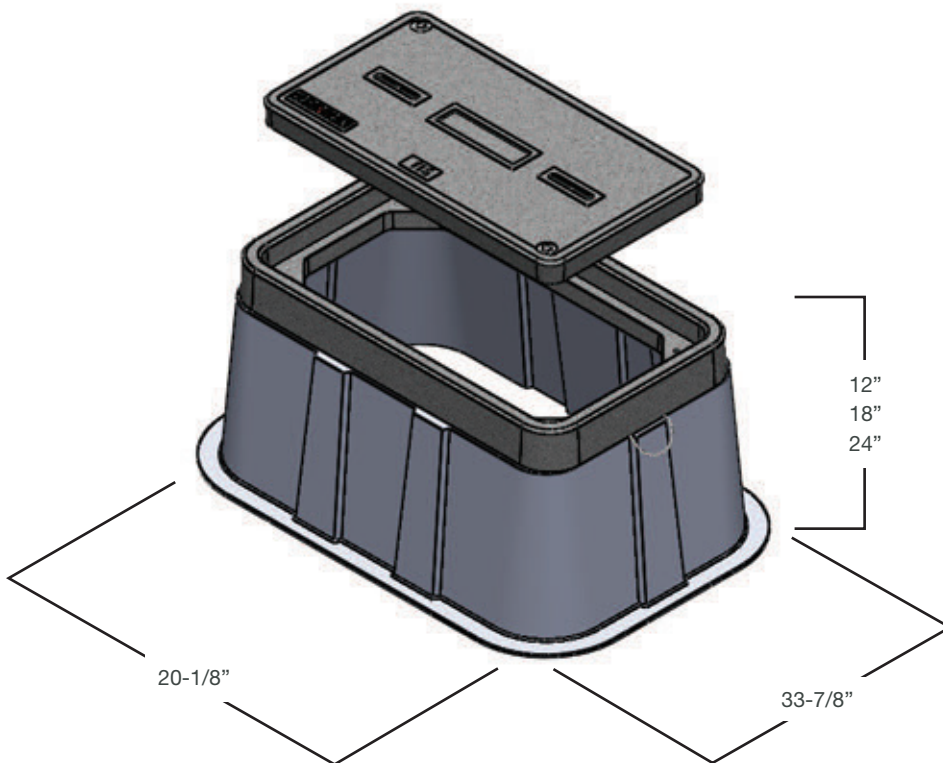


**COVER**

- Style: Flush
- Material: Polymer Concrete
- Model: 17" x 30"
- Std. Fasteners: 1/2-13 Stainless Steel Hex Head Bolt, Washer and Floating Nut
- Options: Logos and Special Markings
- Surface: Slip Resistant
- Performance: ANSI/SCTE-77 Tier 15



**BODY**

- Material: Fiber Reinforced Polymer w/ Polymer Concrete Ring
- Model: 17" x 30"
- Depths: 12", 18", 24"
- Wall Type: Flared
- Performance: ANSI/SCTE-77 Tier 15



Medium Duty:  
Incidental,  
Non-deliberate Traffic

For use in non-vehicular traffic situations only.

Actual load rating is determined by the box and cover combination.

Weights and dimensions may vary slightly.

**OPTIONS**

**AVAILABLE POLYMER COVER:**

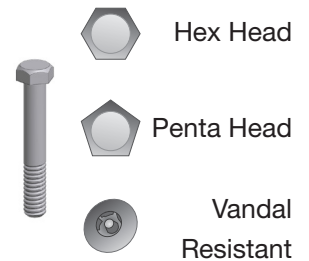
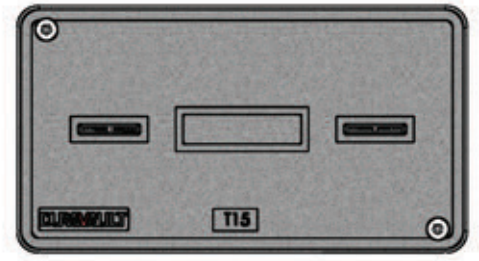
Flush

**FASTENER OPTIONS FOR POLYMER COVERS:**

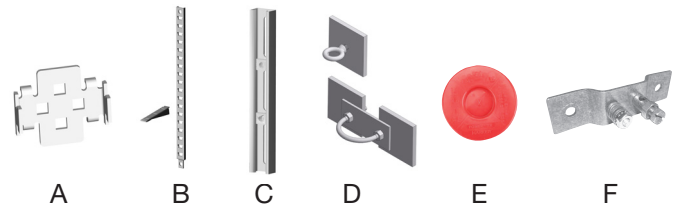
- Penta Head Bolt
- Oldcastle Enclosures Vandal Resistant Bolt
- Penta Coil Thread Bolt
- Captive Bolt Retainer

**ADD ON OPTIONS:**

- EMS Marker (E)
- Mouseholes/Knockouts
- Rack Mount (A)
- Cable Racks/Cable Arms (B)
- Unistrut (C)
- Pulling Eye - 1,000 lb and 3,000 lb (D)
- Ground Buss (F)
- Dividers
- Racking Provision
- Lid Gaskets\*



\*Lid Gaskets inhibit water flow into the box, they do not make enclosure fully waterproof.



**PRODUCT LOAD RATING**



**Medium Duty: Incidental, Non-deliberate traffic**  
For use in non-vehicular traffic situations only. Actual load rating is determined by the box and cover combination.

**NOTES**

Actual load rating is determined by the box and cover combination. Weights and dimensions may vary slightly