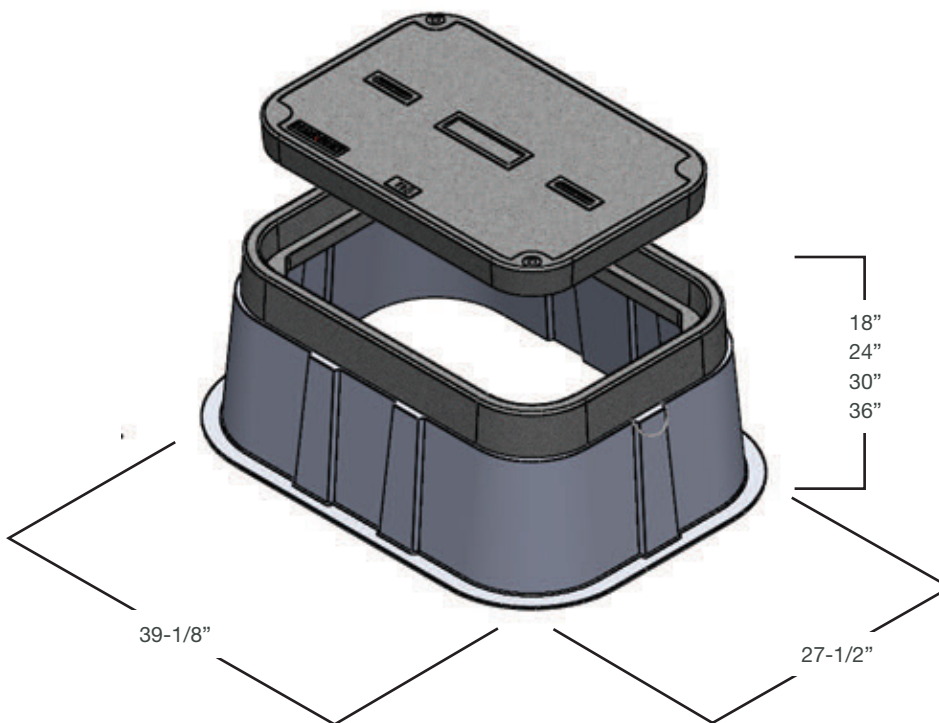


COVER

Style: Flush
 Material: Polymer Concrete
 Model: 24" x 36"
 Std. Fasteners: 1/2-13 Stainless Steel Hex Head Bolt, Washer and Floating Nut
 Options: Logos and Special Markings
 Surface: Slip Resistant
 Performance: ANSI/SCTE-77 Tier 15

BODY

Material: Fiber Reinforced Polymer w/ Polymer Concrete Ring
 Model: 24" x 36"
 Depths: 18", 24", 30", 36"
 Wall Type: Flared
 Performance: ANSI/SCTE-77 Tier 15



Medium Duty:
Incidental,
Non-deliberate Traffic

For use in non-vehicular traffic situations only.

Actual load rating is determined by the box and cover combination.

Weights and dimensions may vary slightly.

OPTIONS

AVAILABLE POLYMER COVER:

Flush

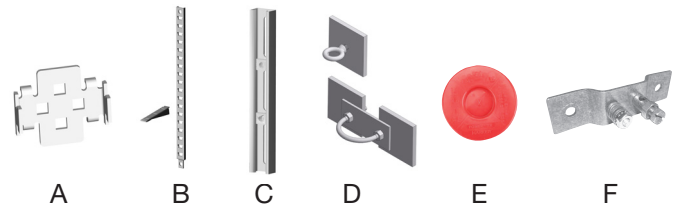
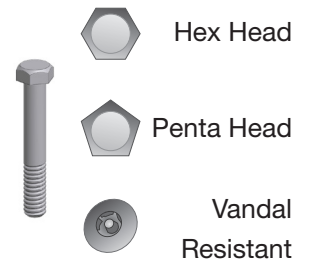
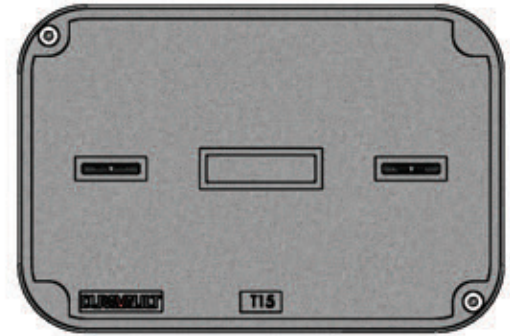
FASTENER OPTIONS FOR POLYMER COVERS:

- Penta Head Bolt
- Oldcastle Enclosures Vandal Resistant Bolt
- Penta Coil Thread Bolt
- Captive Bolt Retainer

ADD ON OPTIONS:

- EMS Marker (E)
- Mouseholes/Knockouts
- Rack Mount (A)
- Cable Racks/Cable Arms (B)
- Unistrut (C)
- Pulling Eye - 1,000 lb and 3,000 lb (D)
- Ground Buss (F)
- Dividers
- Racking Provision
- Lid Gaskets*

*Lid Gaskets inhibit water flow into the box, they do not make enclosure fully waterproof.



PRODUCT LOAD RATING



Medium Duty: Incidental, Non-deliberate traffic
For use in non-vehicular traffic situations only. Actual load rating is determined by the box and cover combination.

NOTES

Actual load rating is determined by the box and cover combination. Weights and dimensions may vary slightly