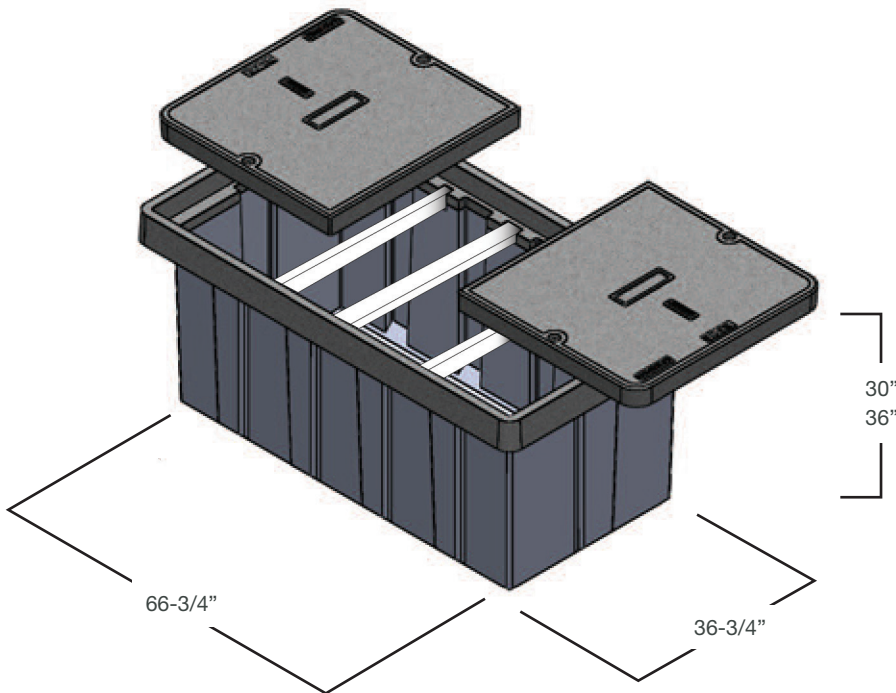


COVER

- Style: Flush (2 Piece)
- Material: Polymer Concrete
- Model: 30" x 60"
- Std. Fasteners: 1/2-13 Stainless Steel Hex Head Bolt, Washer and Floating Nut
- Options: Logos and Special Markings
- Surface: Slip Resistant
- Performance: ANSI/SCTE-77 Tier 15



BODY

- Material: Fiber Reinforced Polymer w/ Polymer Concrete Ring
- Model: 30" x 60"
- Depths: 30", 36"
- Wall Type: Straight
- Performance: ANSI/SCTE-77 Tier 15



Medium Duty:
Incidental,
Non-deliberate Traffic

For use in non-vehicular traffic situations only.

Actual load rating is determined by the box and cover combination.

Weights and dimensions may vary slightly.

OPTIONS

AVAILABLE POLYMER COVER:

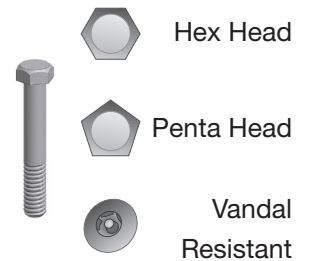
Flush

FASTENER OPTIONS FOR POLYMER COVERS:

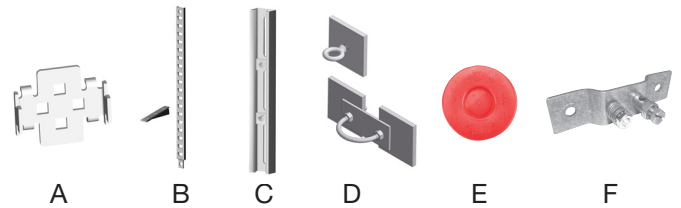
- Penta Head Bolt
- Oldcastle Enclosures Vandal Resistant Bolt
- Penta Coil Thread Bolt
- Captive Bolt Retainer

ADD ON OPTIONS:

- EMS Marker (E)
- Mouseholes/Knockouts
- Rack Mount (A)
- Cable Racks/Cable Arms (B)
- Unistrut (C)
- Pulling Eye - 1,000 lb and 3,000 lb (D)
- Ground Buss (F)
- Dividers
- Racking Provision
- Lid Gaskets*



*Lid Gaskets inhibit water flow into the box, they do not make enclosure fully waterproof.



**PRODUCT
LOAD RATING**



Medium Duty: Incidental, Non-deliberate traffic
For use in non-vehicular traffic situations only. Actual load rating is determined by the box and cover combination.

NOTES

Actual load rating is determined by the box and cover combination.
Weights and dimensions may vary slightly