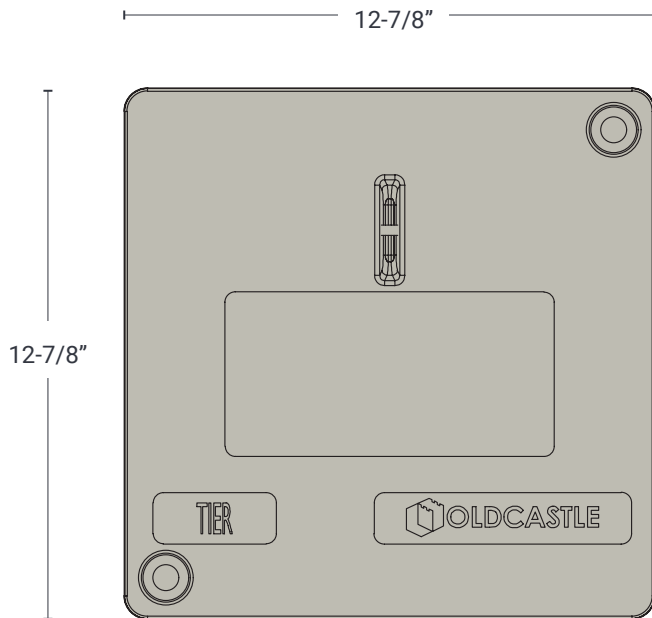


## 1212 Cover



Cover Depth: 7/8"

### Material & Style

Polymer Concrete  
Flush Solid  
Non-skid texture  
4" x 8" Marking Plate

### Hardware


1/2-13 Stainless Steel Hex  
Head Bolt, Washer and  
Floating Nut


### Performance & Weight

ANSI/SCTE-77, Tier 15 / 22  
12 lbs

### Options

Logos and Special Markings  
Hex Head Bolt  
Penta Head Bolt  
Auger Thread  
EMS Marker

 **Medium Duty**  
ANSI/SCTE TIER 15

 **Heavy Duty**  
ANSI/SCTE TIER 22

Cover comes standard with 4" x 8" marking plate. Custom marking and direct permanent markings are available; contact your local Oldcastle Infrastructure representative for details. Weight is nominal and can vary slightly from manufacturing location.

All information contained on this sheet is current at the time of publication.  
Oldcastle Infrastructure reserves the right to discontinue or update product information without notice.

Revision 10/2024

© 2024 Oldcastle Infrastructure, Inc.