

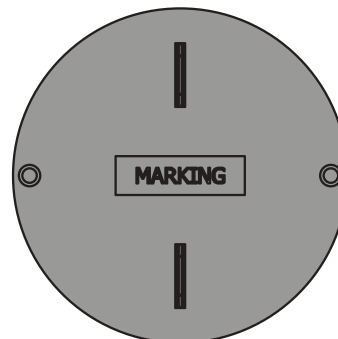
2200

OLDCASTLE FRP

COVER

Style:	Flush
Material:	Polymer Concrete
Model:	22" Dia.
Std. Fasteners:	3/8-16 Stainless Steel Hex Head Bolt, Washer and Floating Nut
Options:	Logos and Special Markings
Surface:	Slip Resistant
Performance:	ANSI/SCTE-77 Tier 15

21-5/8" Dia.



BODY

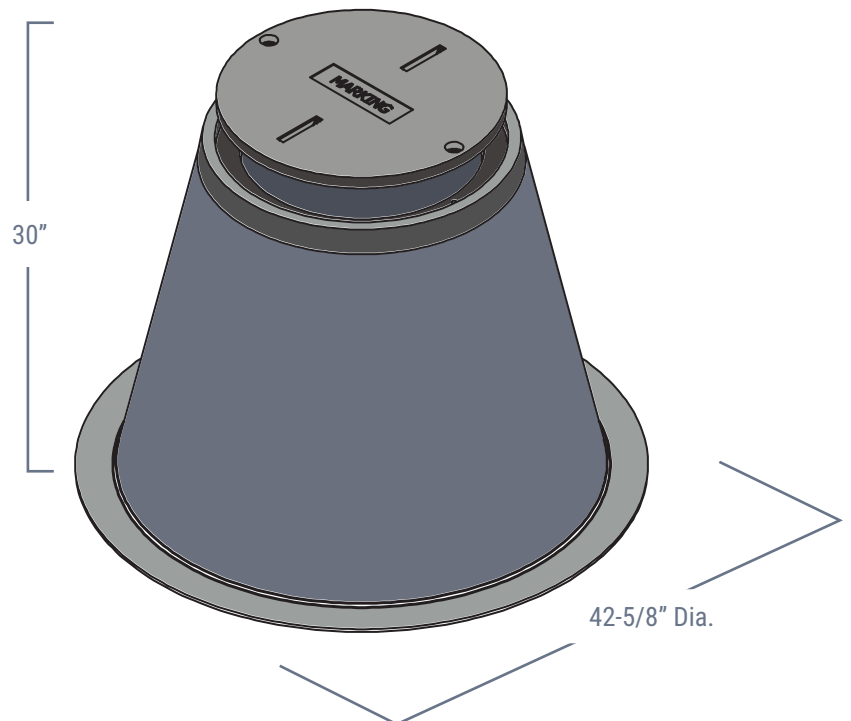
Material:	Fiber Reinforced Polymer w/ Polymer Concrete Ring
Model:	22" Dia.
Depths:	30"
Wall Type:	Flared
Performance:	ANSI/SCTE-77 Tier 15

LOAD RATING / NOTES



MEDIUM DUTY
ANSI/SCTE TIER 15

For use in non-vehicular traffic situations only. Weights and dimensions may vary slightly. Actual load rating is determined by the box and cover combination.

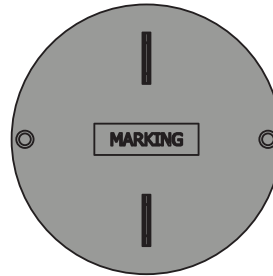


2200

OLDCASTLE FRP

COVER OPTIONS

Polymer, Flush Solid



FASTENER OPTIONS

- Hex Head Bolt (A)
- Penta Head Bolt (B)
- Penta Head Coil Thread Bolt (B)
- Oldcastle Vandal Resistant Bolt (C)
- Captive Bolt Retainer



Standard Thread



A



B



C



Coil Thread



Bolt Retainer
(for standard thread)

ADD ON OPTIONS

- EMS Marker
- Mouseholes/Knockouts
- Rack Mount
- Cable Racks/Cable Arms
- Unistrut
- Racking Provision



Rack Mount



Cable Rack
Cable Arm



Unistrut



EMS Marker

WARNING: Cancer - www.P65Warnings.ca.gov

All information contained on this sheet is current at the time of publication.
Oldcastle reserves the right to discontinue or update product information without notice.

Revision 08/24/21
© 2021 Oldcastle Infrastructure