

1324

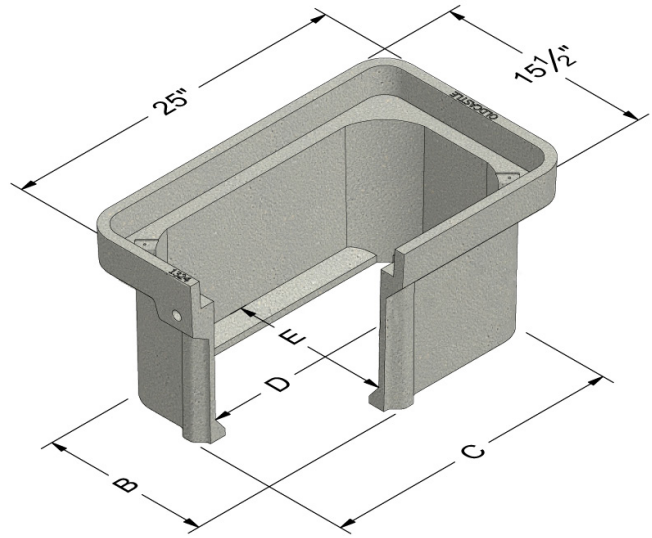
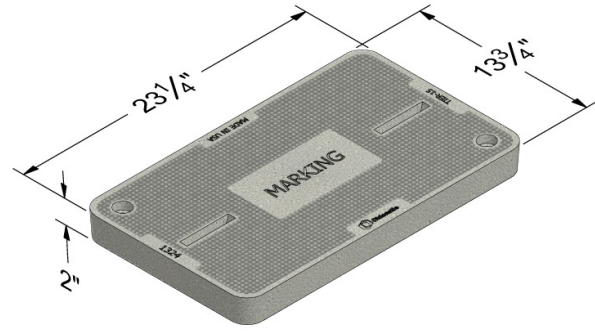
OLDCASTLE POLYMER

(formerly H-Series)

COVER

- Style: Flush Solid
- Material: Polymer Concrete
- Model: 13" x 24"
- Weight: Tier 15: 38 lbs.
Tier 22: 51 lbs.
- Std. Fasteners: 1/2-13 Stainless Steel Hex Head Bolt, Washer and Floating Nut
- Options: Logos and Special Markings
- Surface: Slip Resistant
- Performance: ANSI/SCTE-77, Tier 15 or Tier 22*

Cover comes standard with permanent markings for manufacturer, load rating, model size and manufacturing location.




BODY

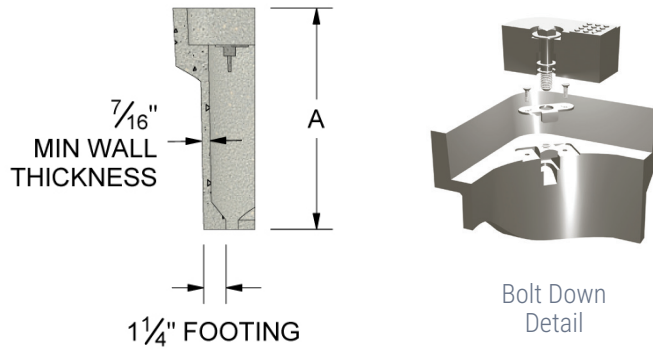
- Material: Polymer Concrete
- Model: 13" x 24"
- Weight: 12" Depth: 51 lbs.
18" Depth: 69 lbs.
24" Depth: 88 lbs.
- Wall Type: Straight
- Performance: ANSI/SCTE-77 Tier 22

LOAD RATING / NOTES

 MEDIUM DUTY
ANSI/SCTE TIER 15

 HEAVY DUTY
ANSI/SCTE TIER 22

For use in non-vehicular traffic situations only. Weights and dimensions may vary slightly. Actual load rating is determined by the box and cover combination.



	A	B	C	D	E
1324-12	12	13-1/2	23	20-7/8	11-3/8
1324-18	18	13-3/8	22-7/8	20-5/8	11-1/8
1324-24	24	13-1/4	22-3/4	20-3/8	10-7/8

* Based upon lid and body combination, this unit can be Tier 15 or Tier 22. T22 rating when paired with T22 polymer concrete lid.

1324

OLDCASTLE POLYMER

(formerly H-Series)

COVER OPTIONS

Oldcastle Polymer, Flush Solid
Steel, Solid



Polymer
Solid



Steel
Solid

FASTENER OPTIONS

Hex Head Bolt (A)
Penta Head Bolt (B)
Penta Head Coil Thread Bolt (B)
Oldcastle Vandal Resistant Bolt (C)
Captive Bolt Retainer



Standard Thread



A



B



C



Coil Thread



Bolt Retainer
(for standard thread)

ADD ON OPTIONS

EMS Marker
Mouseholes/Knockouts
Rack Mount
Cable Racks/Cable Arms
Unistrut
Pulling Eye - 1,000 lb and 3,000 lb
Ground Buss
Dividers
Racking Provision
Lid Gaskets*
Solid Bottom
Custom Marking Plate (Polymer)



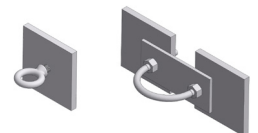
Rack Mount



Cable Rack
Cable Arm



Unistrut



Pulling Eye



EMS Marker



Ground Buss

* Lid Gaskets inhibit water flow into the box, they do not make enclosure fully waterproof.

WARNING: Cancer - www.P65Warnings.ca.gov

All information contained on this sheet is current at the time of publication.
Oldcastle reserves the right to discontinue or update product information without notice.

Revision 11/09/18
© 2018 Oldcastle Infrastructure