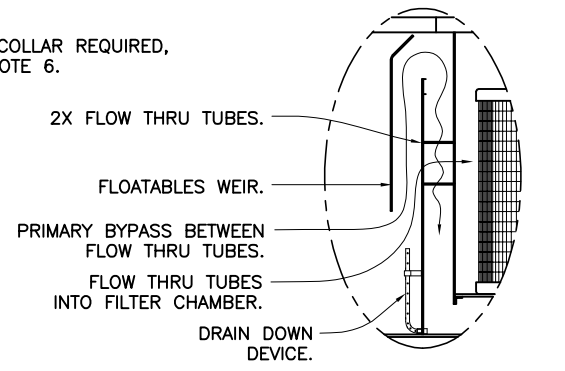
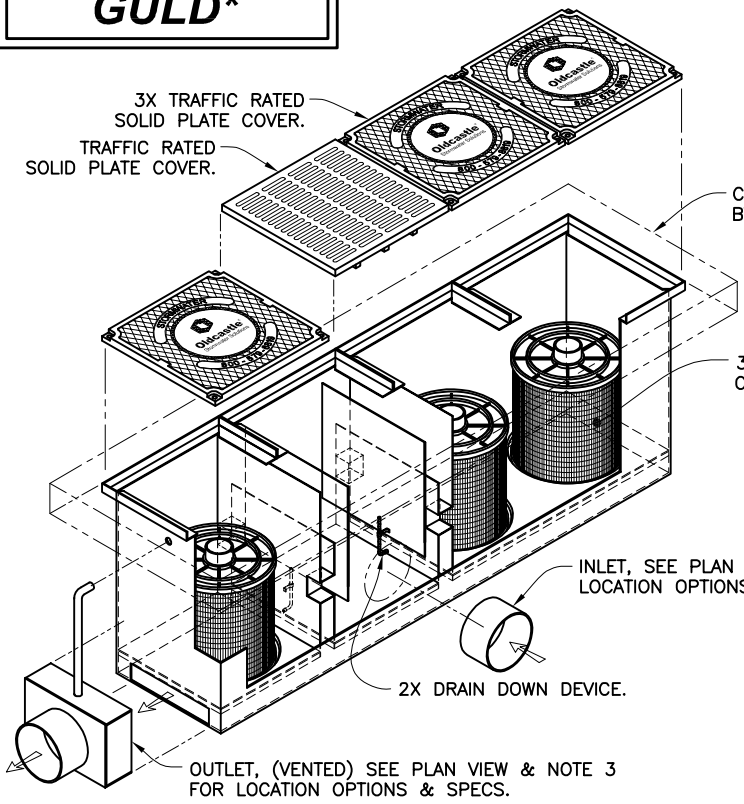


# Washington GULD\*

	CARTRIDGE SIZE	TREATMENT FLOW RATE GPM / CFS	TOTAL FLOW CAPACITY CFS	MINIMUM DEPTH (FEET)
	12.00"	20.4 / 0.045	2.5	1.80
	18.00"	30.6 / 0.068	2.5	2.34
STACKED	12.00" + 12.00"	40.8 / 0.091	2.5	3.08
STACKED	18.00" + 12.00"	51 / 0.114	2.5	3.67

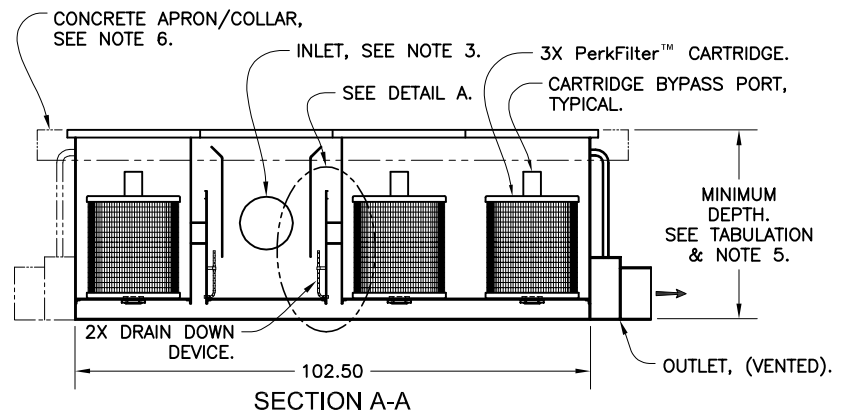
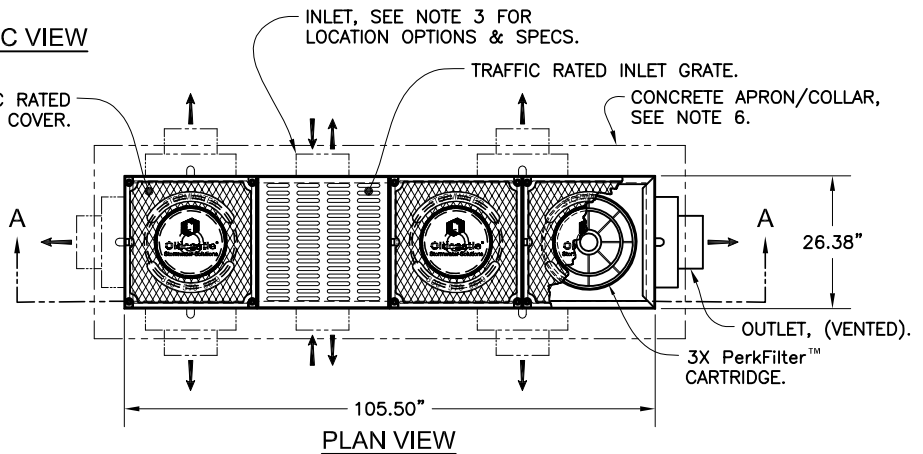


**DETAIL A**  
INLET / BYPASS ASSEMBLY & DRAIN DOWN SCALE: 1.5X

**Notes:**

- All steel utilized in fabrication and shall be 1/4" plate per ASTM A36.
- PerkFilter™ Catch basin shall be supplied with traffic rated (H2O) bicycle-proof grates and solid plate cover.
- Inlet pipe(s) may enter device on any of three sides of the inlet chamber. Outlet pipe may exit on any of all four sides. All pipe is Ø 12" maximum.
- Inlet chamber shall be supplied with a DRAIN DOWN device designed to remove standing water between storm events.
- For depths less than the specified minimum contact Oldcastle® Stormwater Solutions for engineering assistance.
- Field poured Concrete Apron / Collar required, by others. Refer to PF-SCB-1000 for recommended configuration.
- PerkFilter™ cartridge shall be maintained in accordance with manufacturer recommendations.

**ISOMETRIC VIEW**



**\* Treatment Flow Rates shown conform to Washington State GULD Specifications.**



**PerkFilter™**  
Steel Catch Basin  
Triple Cartridge  
(Bilateral Configuration)



**Oldcastle®**  
Stormwater Solutions

7921 Southpark Plaza, Suite 200 | Littleton, CO | 80120 | Ph: 800.579.8819 | oldcastlestormwater.com  
THIS DOCUMENT IS THE PROPERTY OF OLDCASTLE PRECAST, INC. IT IS SUBMITTED FOR REFERENCE PURPOSES ONLY AND SHALL NOT BE USED IN ANY WAY INJURIOUS TO THE INTERESTS OF SAID COMPANY. COPYRIGHT © 2016 OLDCASTLE PRECAST, INC. ALL RIGHTS RESERVED.