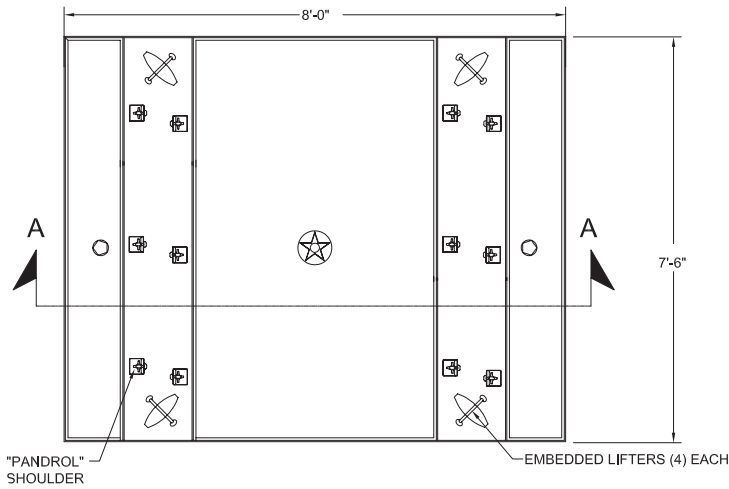




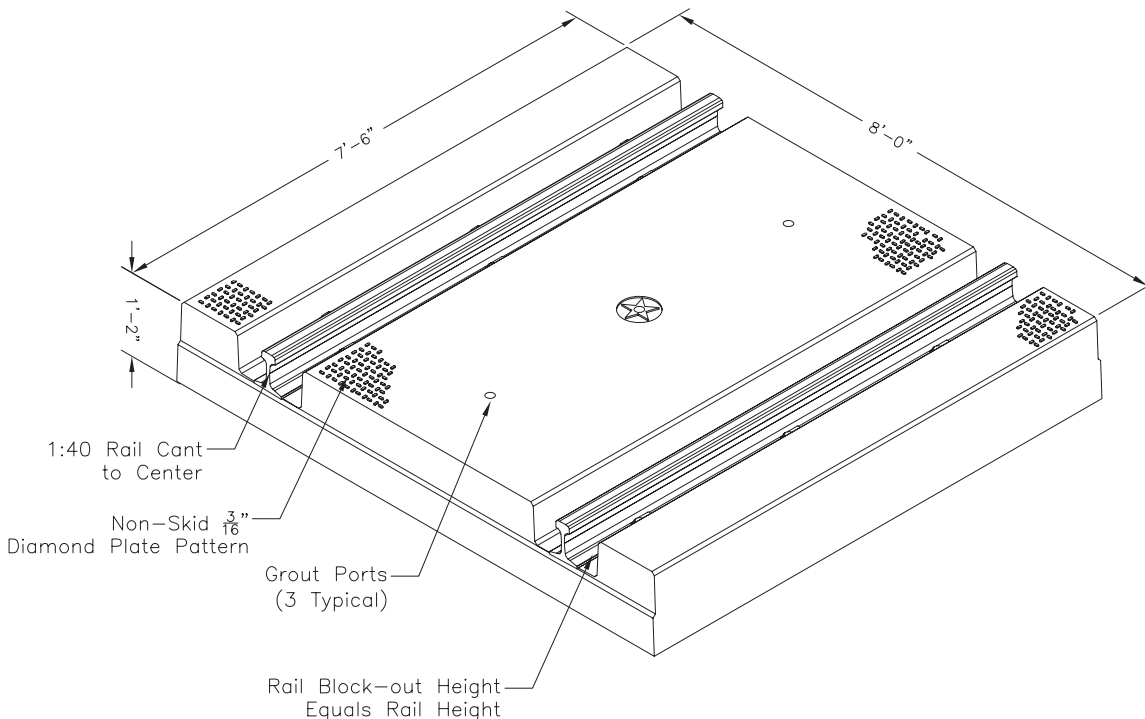
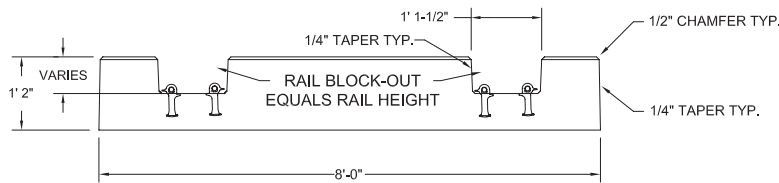
Plan View



768 STANDARD

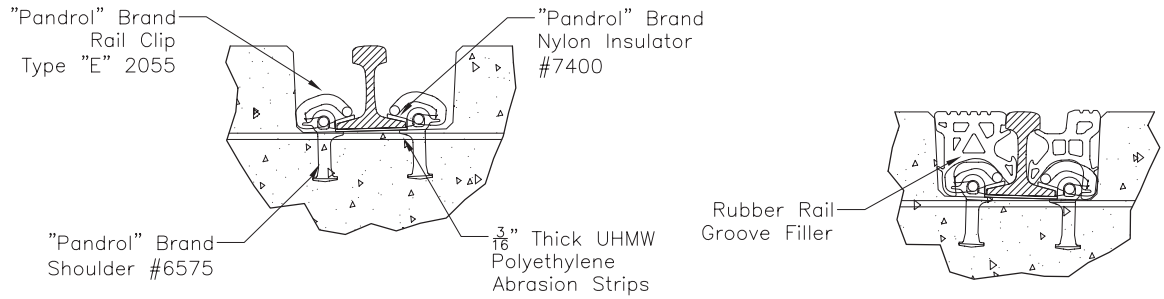
7' 6" x 8'
9,550 LBS
Cooper E-80 with 60% Impact
HS-25

Section A-A



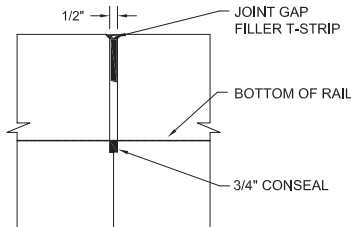


DETAILS

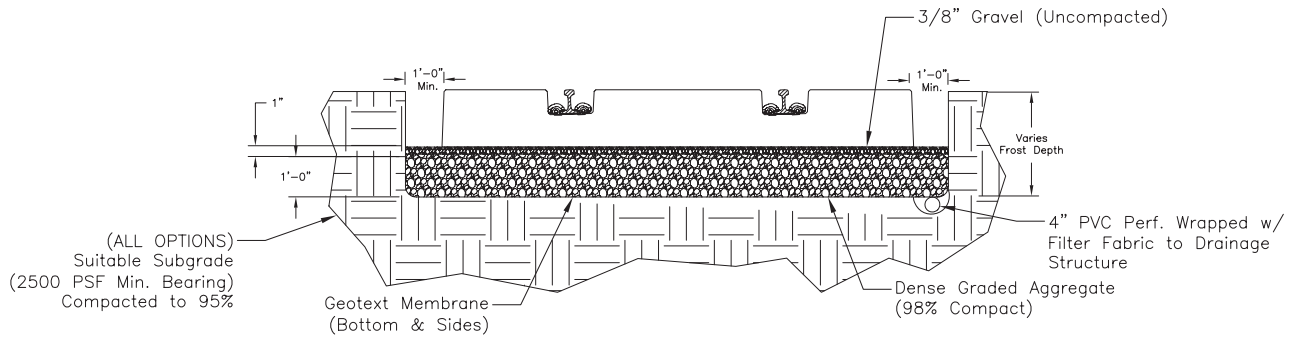


• Rail Detail A

• Rail Detail B



• Connection Detail



• Typical Installation Section

Specific site conditions may vary. See installation guide.

MATERIALS

Material	Specification	Optional
Concrete	The minimum 28 Day Strength shall be 6000 PSI	Special design mix utilizing Micro-Silica Corrosion inhibitor additive in lieu of epoxy reinforcing
Rebar	ASTM A615, Grade 60	Epoxy-coated
Shoulders	"Pandrol" #6575 Cast	
Shoulders Ductile	Iron Grade #65-45-12	
Abrasion Strips	3/16" Thick UHMW Polyethylene	
Clips	"Pandrol" #E2055 Clips-Spring Steel, Galvanized	
Insulators	"Pandrol" #7400 Thermoplastic/Nylon	
Exposed Surface	Form Cast Concrete, 3/16" Diamond Plate Pattern	Optional: Hydrozo "Enviroseal" Surface Treatment

All information contained on this sheet is current at the time of publication.
Oldcastle reserves the right to discontinue or update product information without notice.

Revision 09/17/19
© 2019 Oldcastle Infrastructure, Inc