

# Building System Details

| Detail No. | Detail Description                      |
|------------|---|
| W.1        | Exterior Brg. Wall-Wall / Plank to Wall |
| W.2        | Exterior Lap Wall-Wall / Plank at Lap   |
| W.3        | Interior Brg. Wall                      |
| W.4        | Interior Brg. & Lap Wall                |
| W.5        | Interior Shear Wall (NMB)               |
| W.6        | Interior Shear Wall (DYWIDAG)           |
| W.7        | By-Pass Shear Wall (NMB)                |
| W.8        | By-Pass Shear Wall (DYWIDAG)            |
| W.9        | By-Pass Shear Wall                      |
| W.10       | Integral Parapet                        |
| W.11       | Independent Parapet                     |
| W.12       | Wall-Wall Vert. Conn.-1                 |
| W.13       | Wall-Wall Vert. Conn.-2                 |
| W.14       | Wall-Wall Vert. Conn.-3                 |
| F.1        | Precast Col. Base Plate Conn.           |
| F.2        | Precast Col. NMB Base Conn.             |
| F.3        | Precast Wall-HCA Base Conn.             |
| F.4        | Precast Wall-NMB Base Conn.             |
| F.5        | Precast Wall-Dywdag Base Conn.          |
| C.1        | Precast Beams & Precast Columns         |
| C.2        | Precast Beams & Precast Columns         |
| C.3        | Precast Beams on Column Corbels         |
| C.4        | Precast Beam on Column Corbel           |
| C.5        | Precast Beams Brg. on Precast Column    |
| C.6        | Inverted-T Beam on Precast Column       |
| B.1        | Interior Corridor Lintel                |
| B.2        | Plank on Inverted-T Beam                |
| B.3        | Plank on Inverted-T Beam                |
| B.4        | Plank on Composite Beam                 |
| B.5        | Lintel to Wall Connection               |
| B.6        | Beam on Precast Wall                    |
| B.7        | Wall on Inverted T Beam                 |
| B.8        | Wall Beam w/ Bottom Support             |
|            |   |



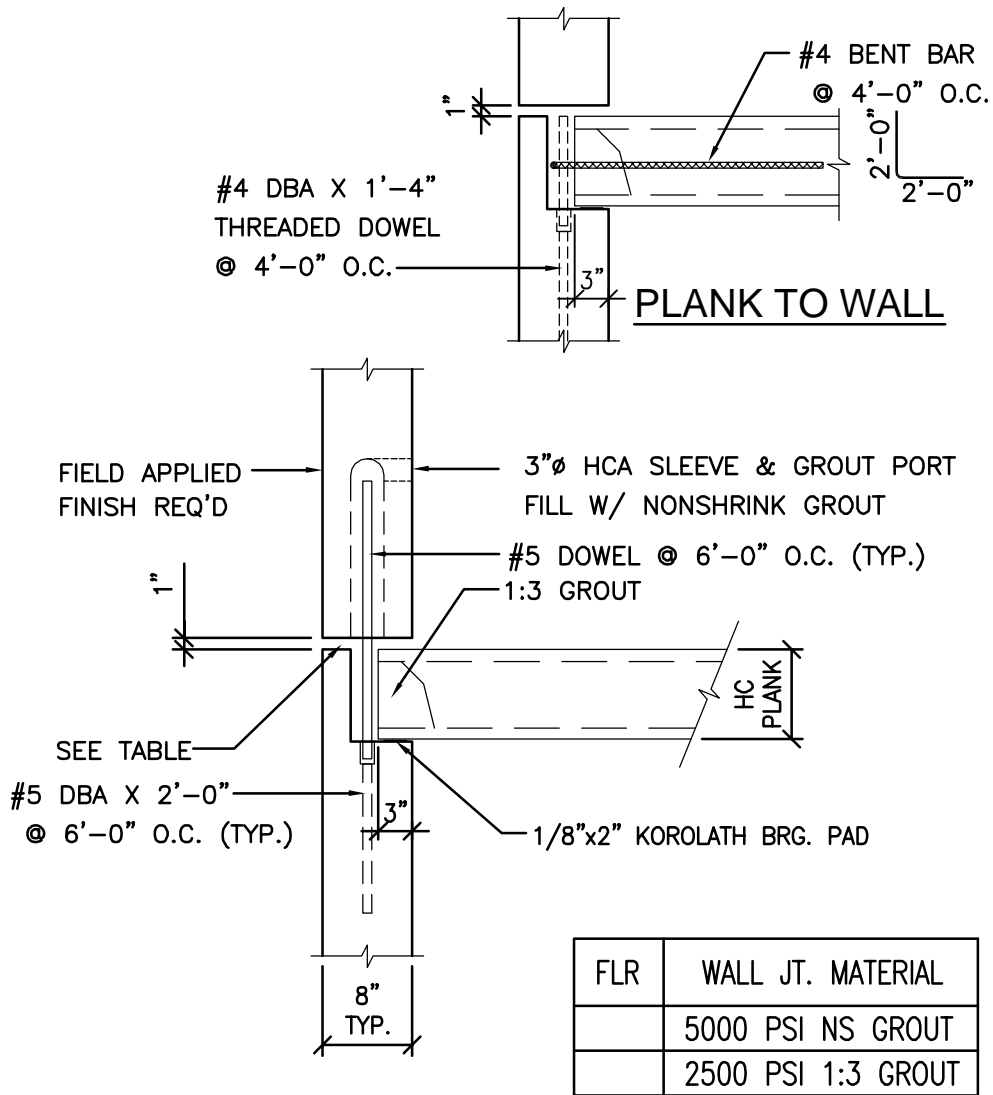
**Oldcastle Precast®**  
Building Systems

|                  |      |                   |                           |
|------------------|------|-------------------|---------------------------|
|                  |      |                   |                           |
| 12-20-07         | 1    | REVISED LOGO      |                           |
| DATE             | REV  | REVISIONS         |                           |
| REVISION HISTORY |      |                   |                           |
| DWN.:            | F.R. | CHK.:             | ENGR.: --                 |
| ISSUED DATE:     |      | October 25th 2007 | DETAIL NO.: Cover Sheet-1 |


STANDARD BUILDING SYSTEM DETAILS

Drawing Name: F:\Engineering\System Standards\Std. Systems Details.dwg Last Modified: Dec 19, 2007 - 2:36pm Plotted on: Dec 20, 2007 - 2:17pm by rfehrer

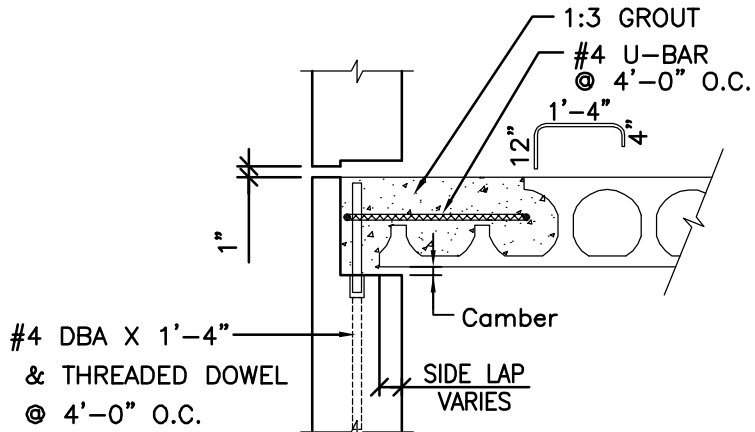
Drawing Name: F:\Engineering\System Standards\Std. Systems Details.dwg Last Modified: Dec 19, 2007 - 2:36pm Plotted on: Dec 20, 2007 - 2:17pm by: riefner



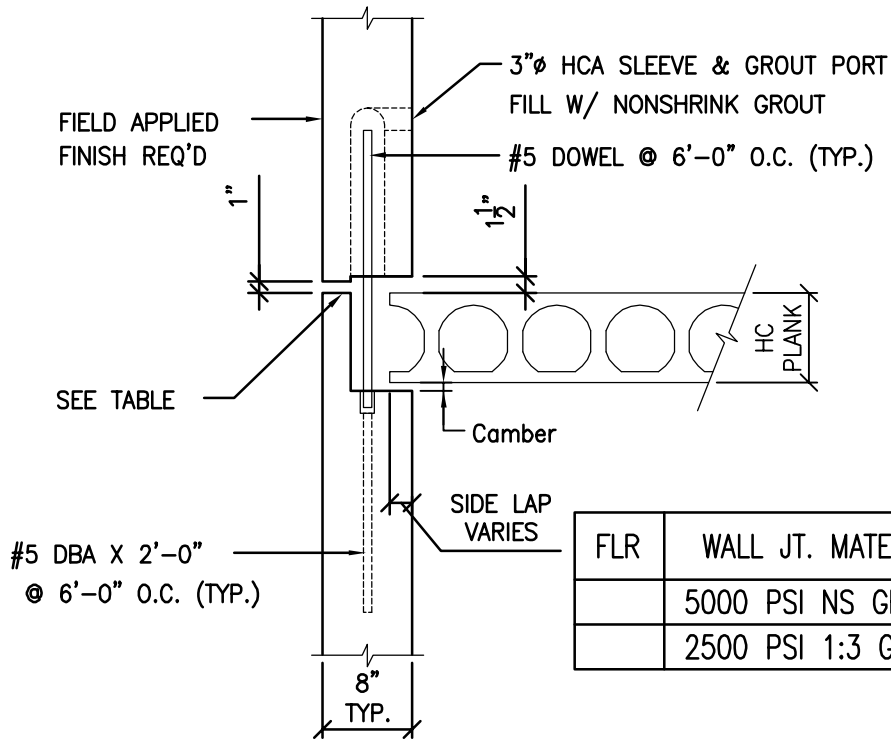
EXT. BRG. WALL-WALL

|   |                                |                 |              |
|---|--------------------------------|-----------------|--------------|
|  | 12-20-07                       | 1               | REVISED LOGO |
|   | DATE                           | REV             | REVISIONS    |
| REVISION HISTORY  |                                |                 |              |
| STANDARD SYSTEMS SECTIONS & DETAILS   | DWN.: F.R.                     | CHK.:           | ENGR.:       |
|   | ISSUED DATE: October 25th 2007 | DETAIL NO.: W.1 |              |

Drawing Name: F:\Engineering\System Standards\Std. Systems Details.dwg Last Modified: Dec 19, 2007 - 2:36pm Plotted on: Dec 20, 2007 - 2:17pm by riefner



**PLANK AT LAP**



|     |                    |
|-----|--------------------|
| FLR | WALL JT. MATERIAL  |
|     | 5000 PSI NS GROUT  |
|     | 2500 PSI 1:3 GROUT |

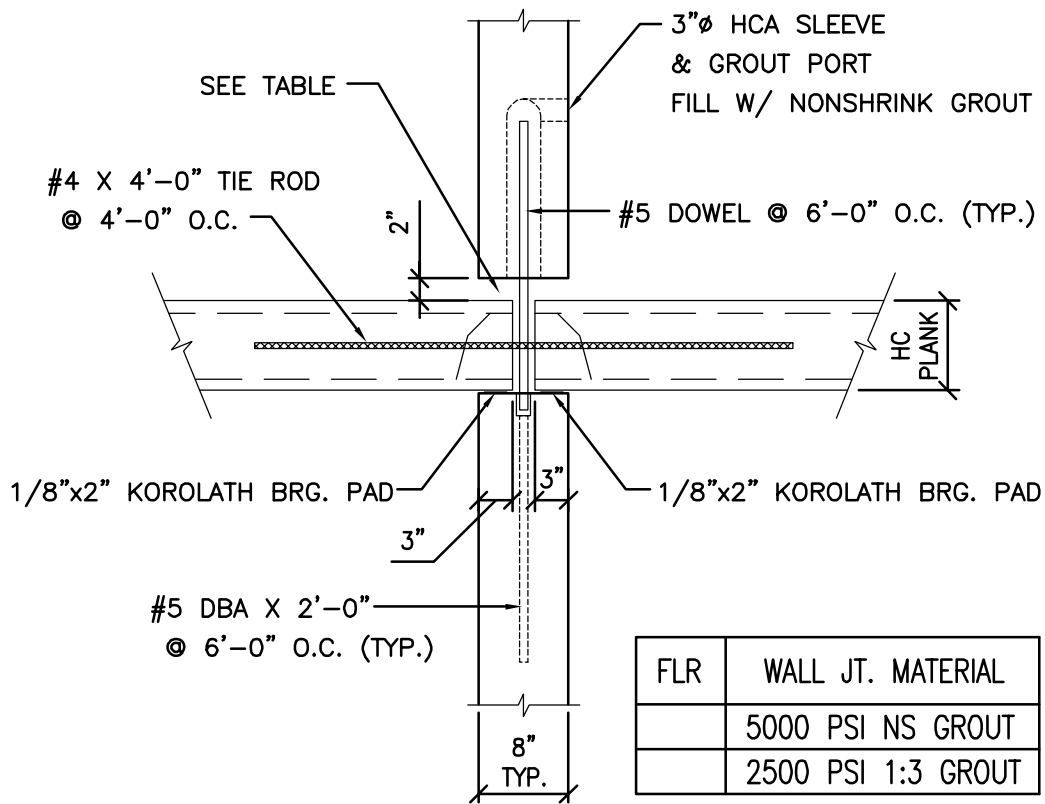
**EXT. LAP WALL-WALL**



STANDARD SYSTEMS SECTIONS & DETAILS


|                  |                   |              |
|------------------|-------------------|--------------|
| 12-20-07         | 1                 | REVISED LOGO |
| DATE             | REV               | REVISIONS    |
| REVISION HISTORY |                   |              |
| DWN.:            | F.R.              | CHK.:        |
| ISSUED DATE:     | October 25th 2007 | ENGR.:       |
|                  |                   | DETAIL NO.:  |
|                  |                   | <b>W.2</b>   |

Drawing Name: F:\Engineering\System Standards\Std. Systems Details.dwg Last Modified: Dec 19, 2007 - 2:36pm Plotted on: Dec 20, 2007 - 2:17pm by: riefner

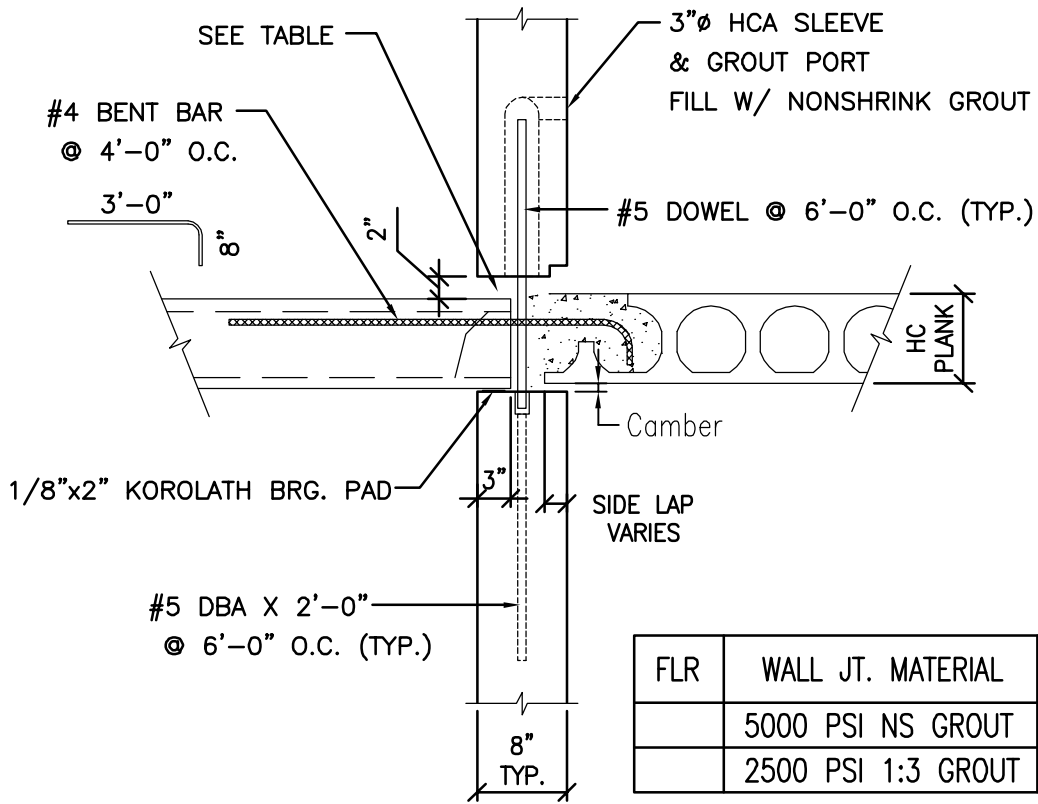


| FLR | WALL JT. MATERIAL  |
|-----|--------------------|
|     | 5000 PSI NS GROUT  |
|     | 2500 PSI 1:3 GROUT |

## INTERIOR BRG. WALL

|   |                                |                        |              |
|---|--------------------------------|------------------------|--------------|
|  <b>Oldcastle Precast®</b><br>Building Systems |                                |                        |              |
|   | 12-20-07                       | 1                      | REVISED LOGO |
|   | DATE                           | REV                    | REVISIONS    |
| REVISION HISTORY  |                                |                        |              |
| STANDARD SYSTEMS SECTIONS & DETAILS   | DWN.: F.R.                     | CHK.:                  | ENGR.:       |
|   | ISSUED DATE: October 25th 2007 | DETAIL NO.: <b>W.3</b> |              |

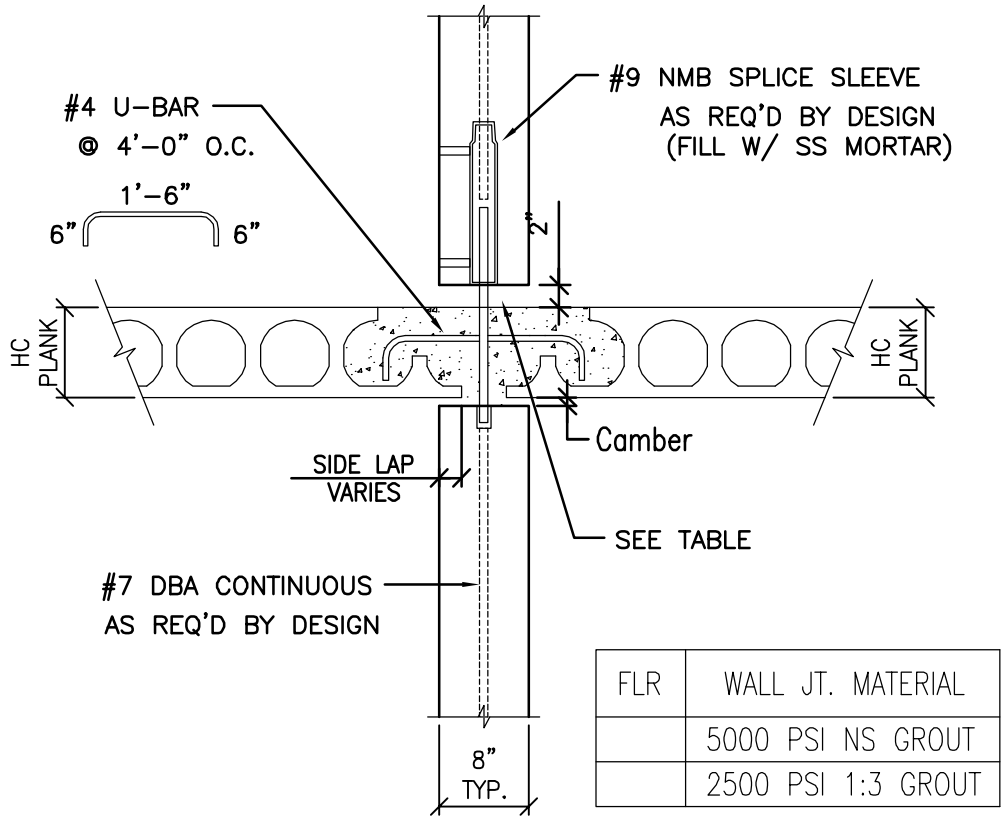
Drawing Name: F:\Engineering\System Standards\Std. Systems Details.dwg Last Modified: Dec 19, 2007 - 2:36pm Plotted on: Dec 20, 2007 - 2:17pm by riefner



## INTERIOR BRG. & LAP WALL

|   |                                |             |              |
|---|--------------------------------|-------------|--------------|
|  <b>Oldcastle Precast®</b><br>Building Systems |                                |             |              |
|   | 12-20-07                       | 1           | REVISED LOGO |
|   | DATE                           | REV         | REVISIONS    |
|   | REVISION HISTORY               |             |              |
| STANDARD SYSTEMS SECTIONS & DETAILS   | DWN.: F.R.                     | CHK.:       | ENGR.:       |
|   | ISSUED DATE: October 25th 2007 | DETAIL NO.: | <b>W.4</b>   |

Drawing Name: F:\Engineering\System Standards\Std. Systems Details.dwg Last Modified: Dec 19, 2007 - 2:36pm Plotted on: Dec 20, 2007 - 2:17pm by riefner



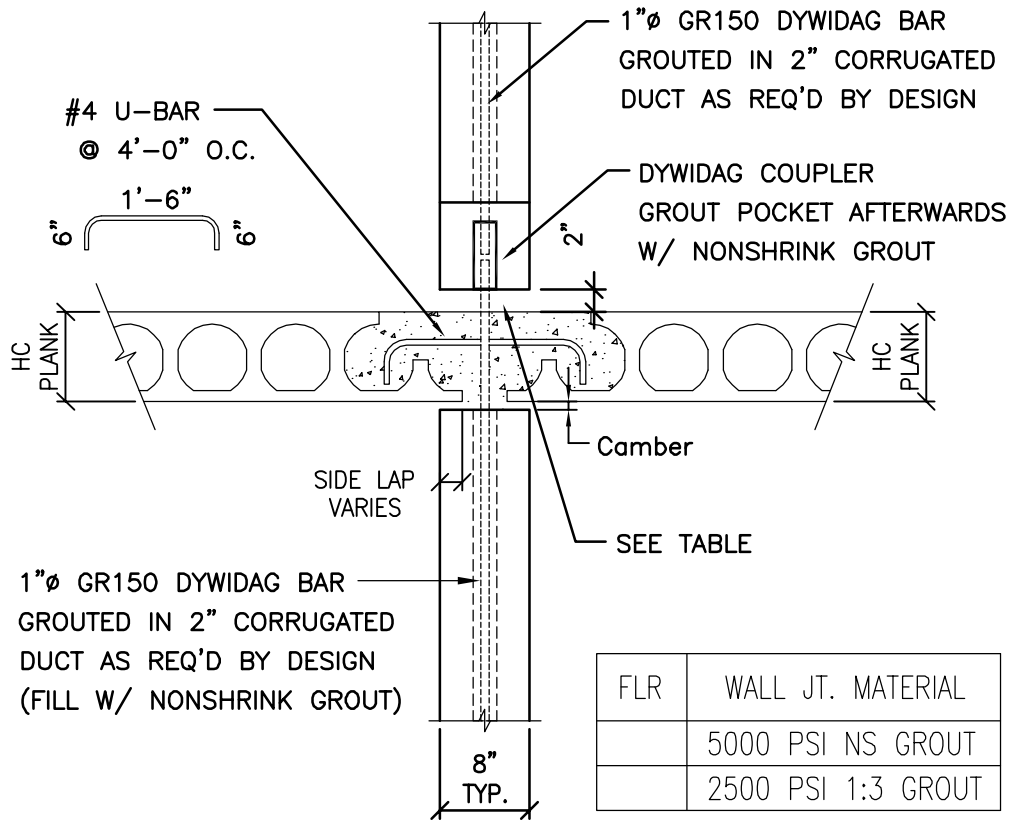
## INTERIOR SHEAR WALL (NMB)



STANDARD SYSTEMS SECTIONS & DETAILS

|                  |                   |              |
|------------------|-------------------|--------------|
| 12-20-07         | 1                 | REVISED LOGO |
| DATE             | REV               | REVISIONS    |
| REVISION HISTORY |                   |              |
| DWN.:            | F.R.              | ENGR.:       |
| ISSUED DATE:     | October 25th 2007 | DETAIL NO.:  |
|                  |                   | <b>W.5</b>   |

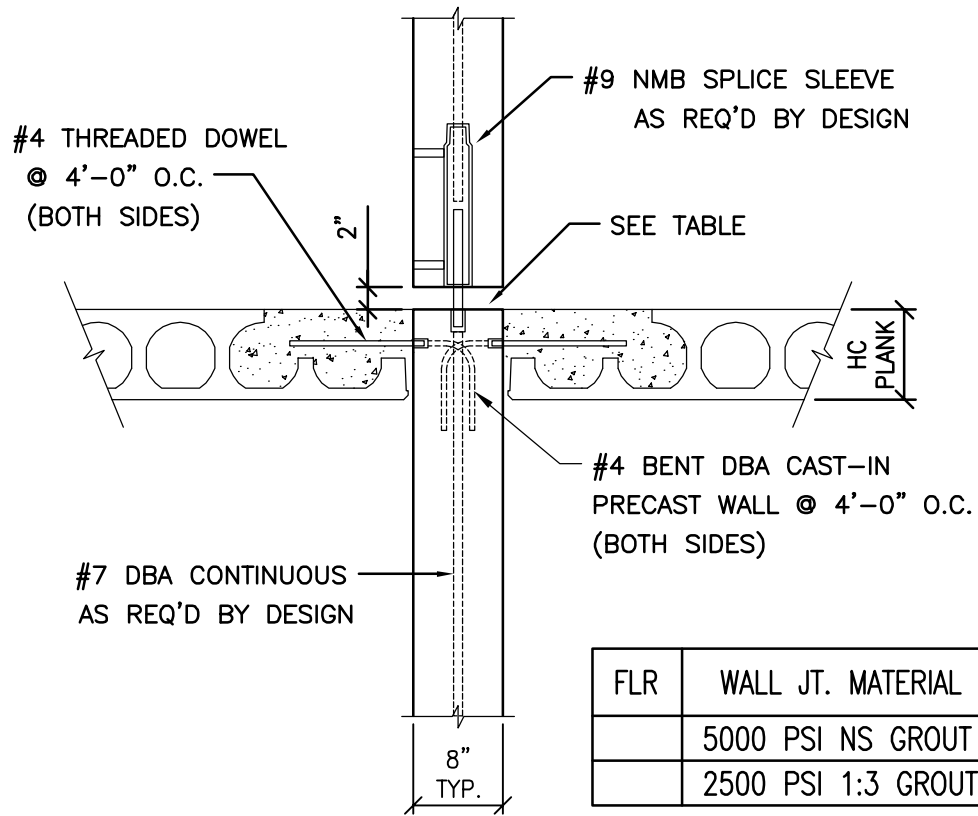
Drawing Name: F:\Engineering\System Standards\Std. Systems Details.dwg Last Modified: Dec 19, 2007 - 2:36pm Plotted on: Dec 20, 2007 - 2:17pm by riefner




## INTERIOR SHEAR WALL (DYWIDAG)

|   |                                |       |              |
|---|--------------------------------|-------|--------------|
| <b>Oldcastle Precast®</b><br>Building Systems |                                |       |              |
|   | 12-20-07                       | 1     | REVISED LOGO |
|   | DATE                           | REV   | REVISIONS    |
|   | REVISION HISTORY               |       |              |
| STANDARD SYSTEMS SECTIONS & DETAILS           | DWN.: F.R.                     | CHK.: | ENGR.:       |
|   | ISSUED DATE: October 25th 2007 |       | DETAIL NO.:  |
|   |                                |       | W.6          |

Drawing Name: F:\Engineering\System Standards\Std. Systems Details.dwg Last Modified: Dec 19, 2007 - 2:36pm Plotted on: Dec 20, 2007 - 2:17pm by riefner

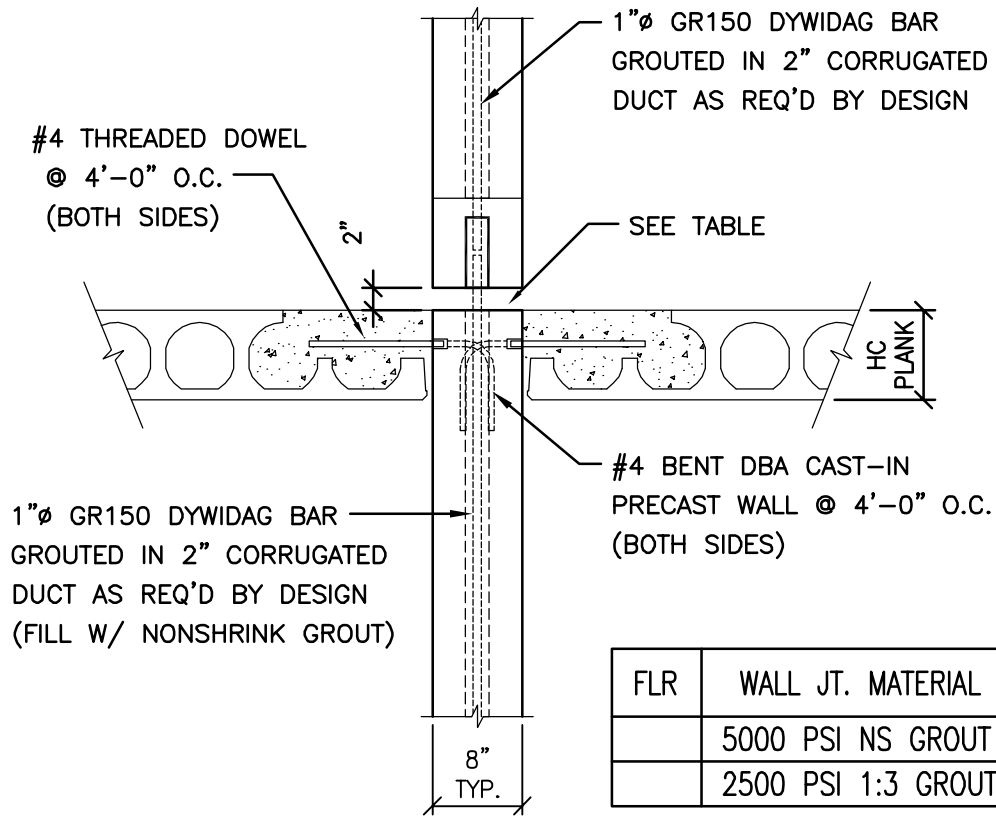


## BY-PASS SHEAR WALL (NMB)


|   |                                |       |                        |
|---|--------------------------------|-------|------------------------|
|  <b>Oldcastle Precast®</b><br>Building Systems | 12-20-07                       | 1     | REVISED LOGO           |
|   | DATE                           | REV   | REVISIONS              |
| REVISION HISTORY  |                                |       |                        |
| STANDARD SYSTEMS SECTIONS & DETAILS   | DWN.: F.R.                     | CHK.: | ENGR.:                 |
|   | ISSUED DATE: October 25th 2007 |       | DETAIL NO.: <b>W.7</b> |



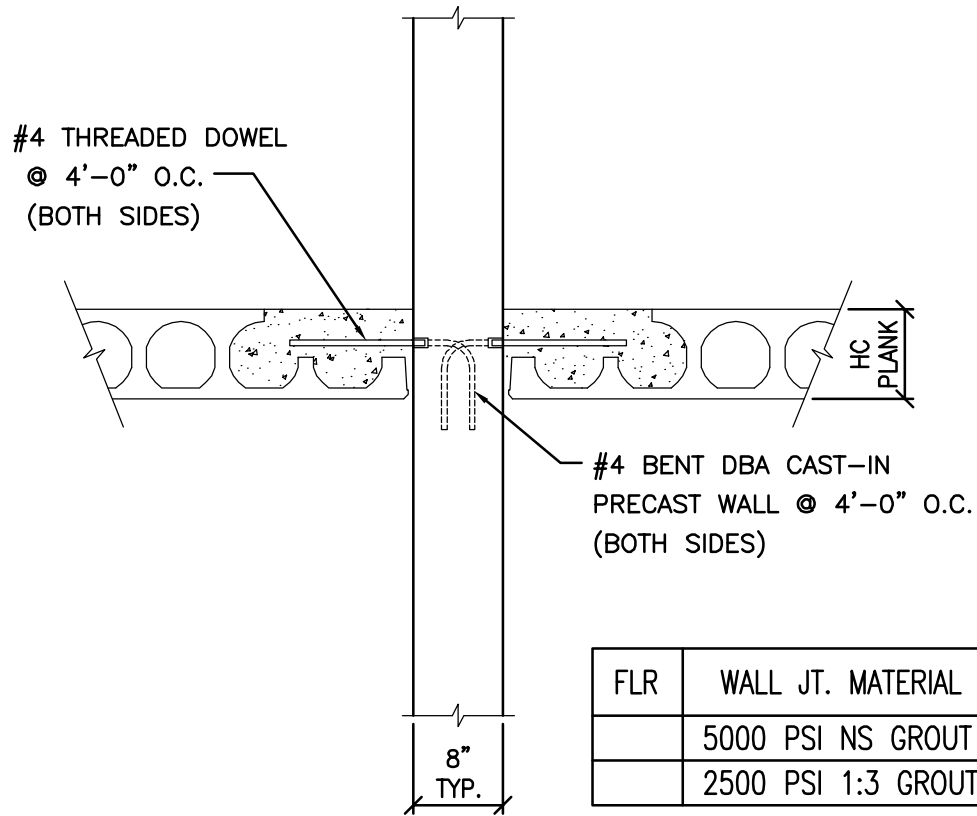
Drawing Name: F:\Engineering\System Standards\Std. Systems Details.dwg Last Modified: Dec 19, 2007 - 2:36pm Plotted on: Dec 20, 2007 - 2:17pm by riefner



## BY-PASS SHEAR WALL (DYWIDAG)

|   |                                |                        |              |
|---|--------------------------------|------------------------|--------------|
|  <b>Oldcastle Precast®</b><br>Building Systems |                                |                        |              |
|   | 12-20-07                       | 1                      | REVISED LOGO |
|   | DATE                           | REV                    | REVISIONS    |
|   | REVISION HISTORY               |                        |              |
| STANDARD SYSTEMS SECTIONS & DETAILS   | DWN.: F.R.                     | CHK.:                  | ENGR.:       |
|   | ISSUED DATE: October 25th 2007 | DETAIL NO.: <b>W.8</b> |              |

Drawing Name: F:\Engineering\System Standards\Std. Systems Details.dwg Last Modified: Dec 19, 2007 - 2:36pm Plotted on: Dec 20, 2007 - 2:17pm by riefner



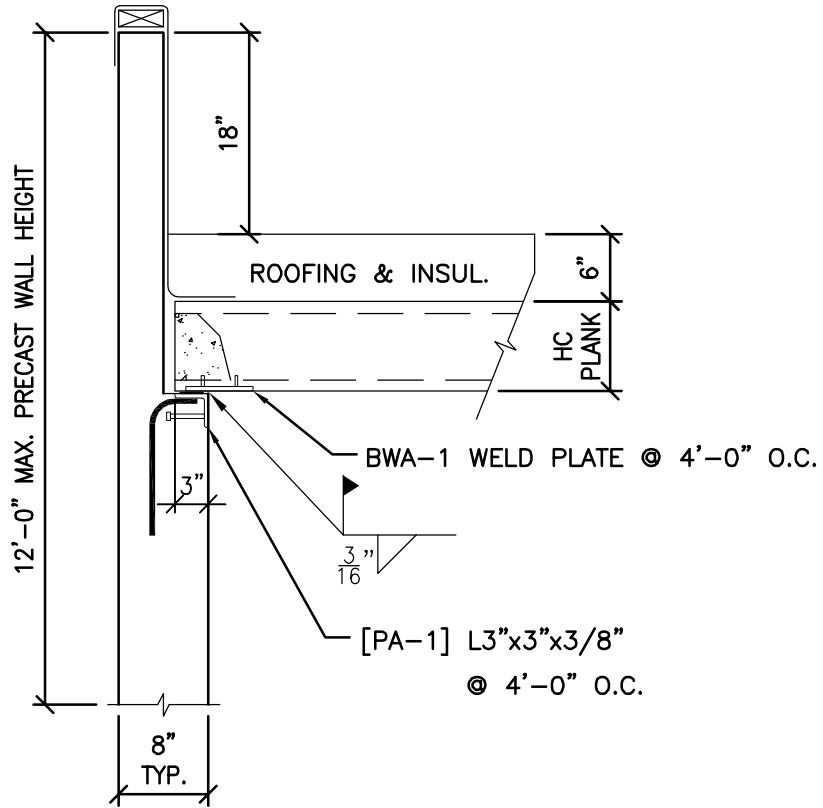
## BY-PASS SHEAR WALL




STANDARD SYSTEMS SECTIONS & DETAILS

|                  |                   |              |
|------------------|-------------------|--------------|
| 12-20-07         | 1                 | REVISED LOGO |
| DATE             | REV               | REVISIONS    |
| REVISION HISTORY |                   |              |
| DWN.:            | F.R.              | CHK.:        |
|                  |                   | ENGR.:       |
| ISSUED DATE:     | October 25th 2007 | DETAIL NO.:  |
|                  |                   | <b>W.9</b>   |

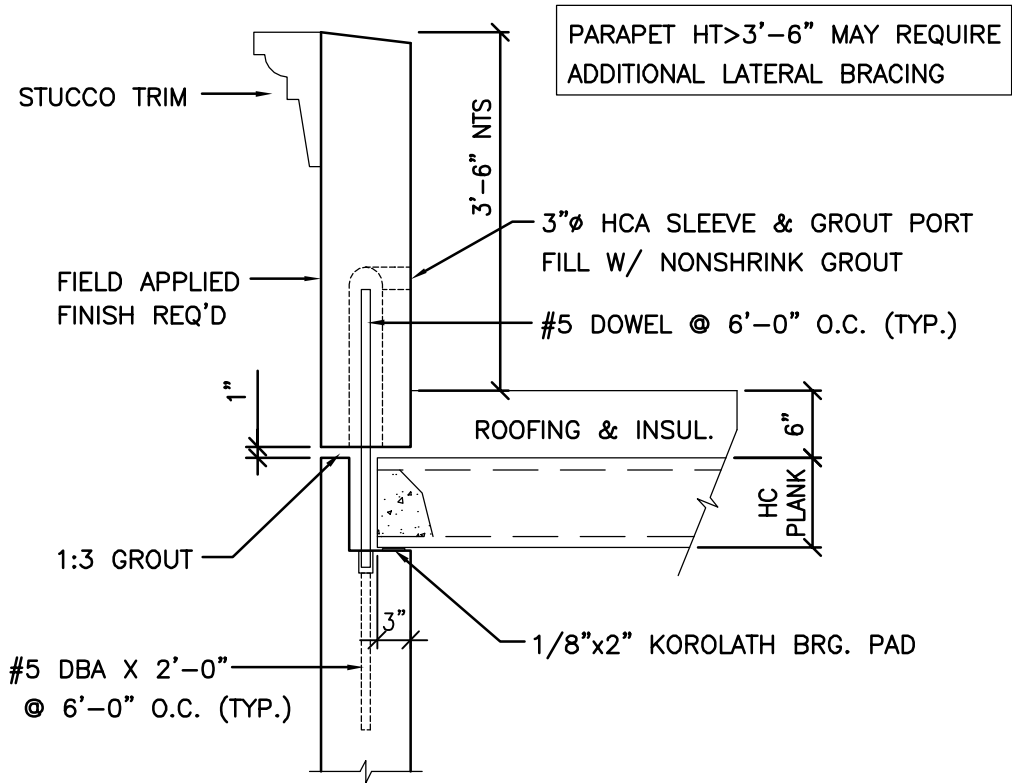
Drawing Name: F:\Engineering\System Standards\Std. Systems Details.dwg Last Modified: Dec 19, 2007 - 2:36pm Plotted on: Dec 20, 2007 - 2:17pm by riefner




## INTEGRAL PARAPET

|   |                                |                         |              |
|---|--------------------------------|-------------------------|--------------|
|  <b>Oldcastle Precast®</b><br>Building Systems |                                |                         |              |
|   | 12-20-07                       | 1                       | REVISED LOGO |
|   | DATE                           | REV                     | REVISIONS    |
|   | REVISION HISTORY               |                         |              |
| STANDARD SYSTEMS SECTIONS & DETAILS   | DWN.: F.R.                     | CHK.:                   | ENGR.:       |
|   | ISSUED DATE: October 25th 2007 | DETAIL NO.: <b>W.10</b> |              |

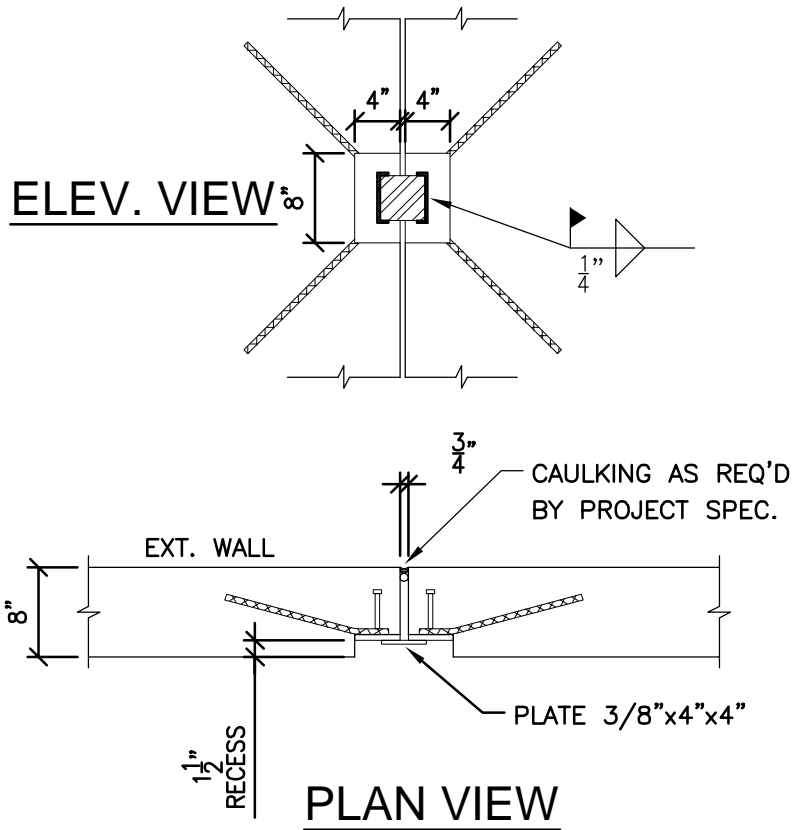
Drawing Name: F:\Engineering\System Standards\Std. Systems Details.dwg Last Modified: Dec 19, 2007 - 2:36pm Plotted on: Dec 20, 2007 - 2:17pm by riefner



## INDEPENDENT PARAPET


|   |                                |                         |              |
|---|--------------------------------|-------------------------|--------------|
|  <b>Oldcastle Precast®</b><br>Building Systems |                                |                         |              |
|   | 12-20-07                       | 1                       | REVISED LOGO |
|   | DATE                           | REV                     | REVISIONS    |
|   | REVISION HISTORY               |                         |              |
| STANDARD SYSTEMS SECTIONS & DETAILS   | DWN.: F.R.                     | CHK.:                   | ENGR.:       |
|   | ISSUED DATE: October 25th 2007 | DETAIL NO.: <b>W.11</b> |              |

Drawing Name: F:\Engineering\System Standards\Std. Systems Details.dwg Last Modified: Dec 19, 2007 - 2:36pm Plotted on: Dec 20, 2007 - 2:17pm by riefner

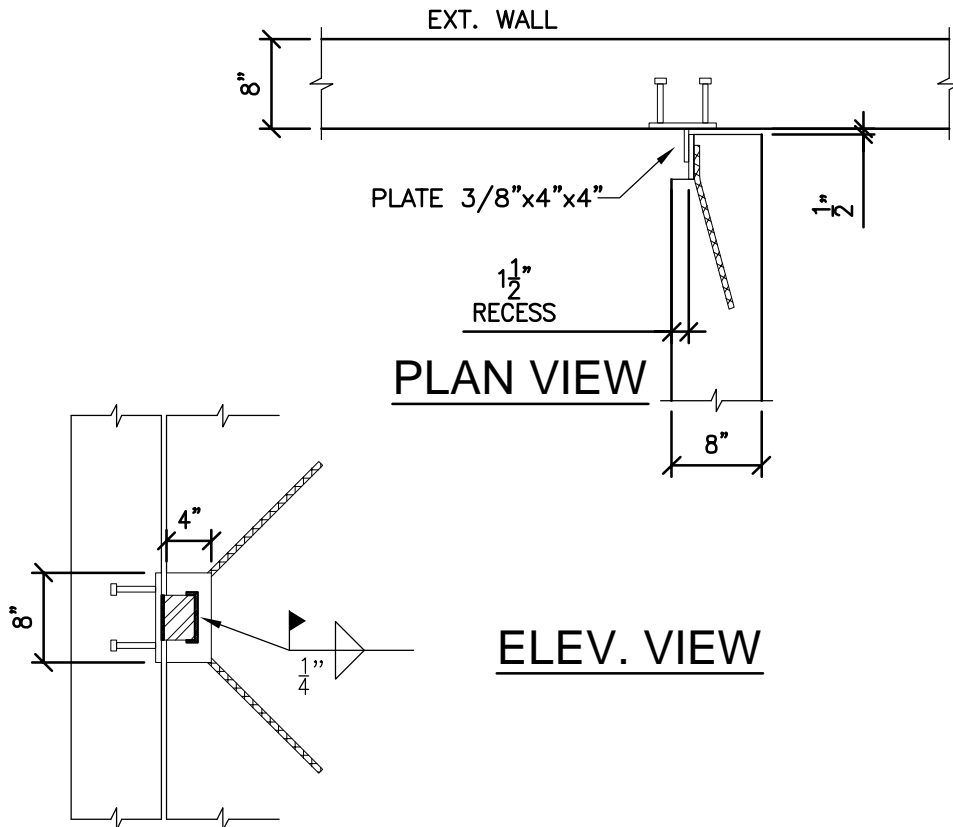



## WALL-WALL VERT. CONN.-1

(AT STAIR & ELEVATOR TOWERS, LOCATE OUTSIDE)

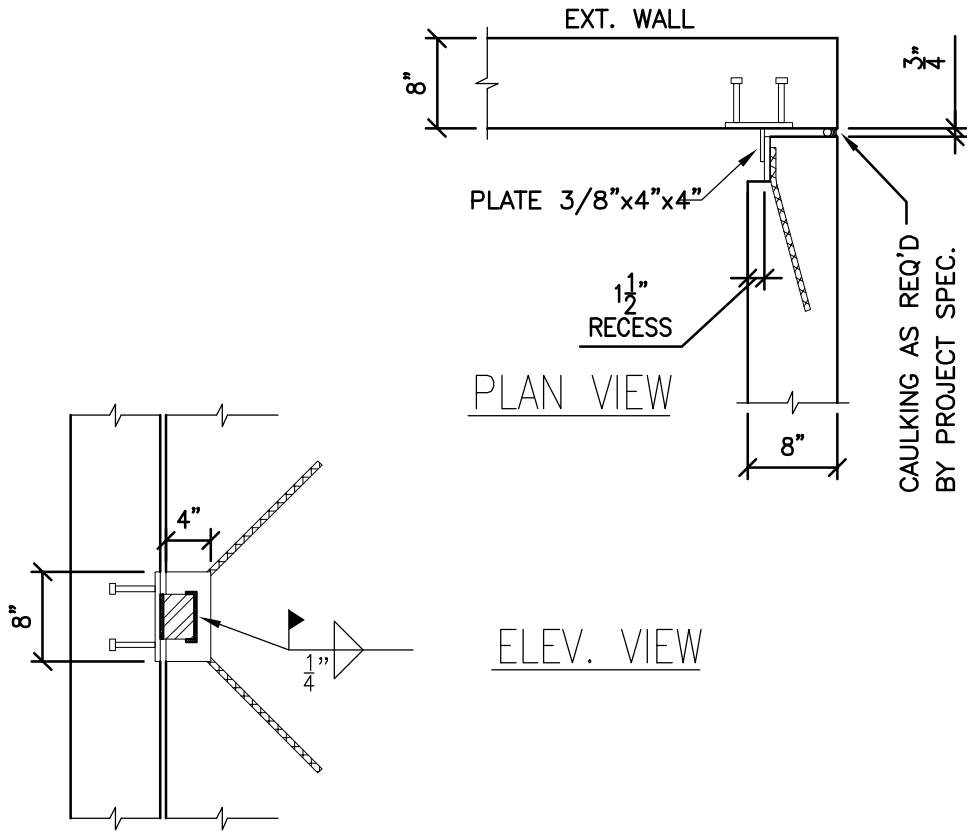
|   |              |                   |                         |
|---|--------------|-------------------|-------------------------|
|  <b>Oldcastle Precast®</b><br>Building Systems |              |                   |                         |
|   | 12-20-07     | 1                 | REVISED LOGO            |
|   | DATE         | REV               | REVISIONS               |
| REVISION HISTORY  |              |                   |                         |
| STANDARD SYSTEMS SECTIONS & DETAILS   | DWN.: F.R.   | CHK.:             | ENGR.:                  |
|   | ISSUED DATE: | October 25th 2007 | DETAIL NO.: <b>W.12</b> |

Drawing Name: F:\Engineering\System Standards\Std. Systems Details.dwg Last Modified: Dec 19, 2007 - 2:36pm Plotted on: Dec 20, 2007 - 2:17pm by riefner




|   |                                |                         |              |
|---|--------------------------------|-------------------------|--------------|
|  <b>Oldcastle Precast®</b><br>Building Systems | 12-20-07                       | 1                       | REVISED LOGO |
|   | DATE                           | REV                     | REVISIONS    |
| REVISION HISTORY  |                                |                         |              |
| STANDARD SYSTEMS SECTIONS & DETAILS   | DWN.: F.R.                     | CHK.:                   | ENGR.:       |
|   | ISSUED DATE: October 25th 2007 | DETAIL NO.: <b>W.13</b> |              |

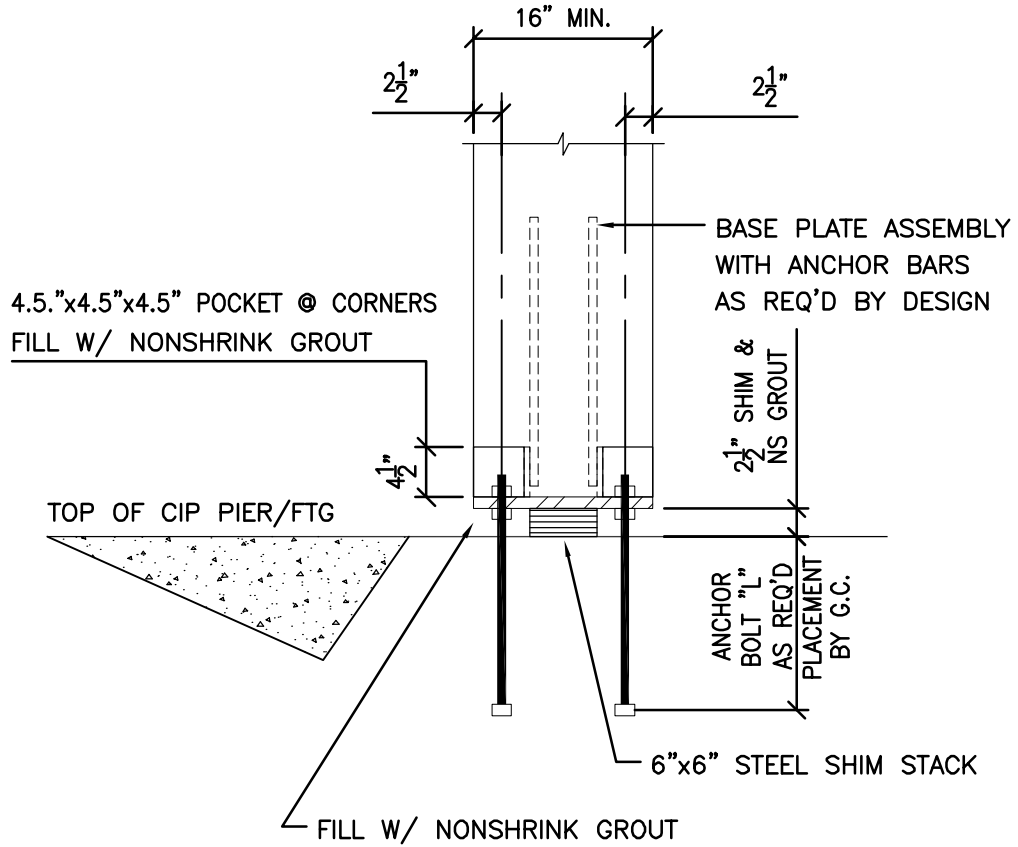
Drawing Name: F:\Engineering\System Standards\Std. Systems Details.dwg Last Modified: Dec 19, 2007 - 2:36pm Plotted on: Dec 20, 2007 - 2:17pm by riefner



**WALL-WALL VERT. CONN.-3**  
 (AT STAIR & ELEVATOR TOWERS, LOCATE OUTSIDE)

|   |                                |                         |              |
|---|--------------------------------|-------------------------|--------------|
|  <b>Oldcastle Precast®</b><br>Building Systems |                                |                         |              |
|   | 12-20-07                       | 1                       | REVISED LOGO |
|   | DATE                           | REV                     | REVISIONS    |
| REVISION HISTORY  |                                |                         |              |
| STANDARD SYSTEMS SECTIONS & DETAILS   | DWN.: F.R.                     | CHK.:                   | ENGR.:       |
|   | ISSUED DATE: October 25th 2007 | DETAIL NO.: <b>W.14</b> |              |

Drawing Name: F:\Engineering\System Standards\Std. Systems Details.dwg Last Modified: Dec 19, 2007 - 2:36pm Plotted on: Dec 20, 2007 - 2:17pm by riefner



## PC COL. BASE PLATE CONN.

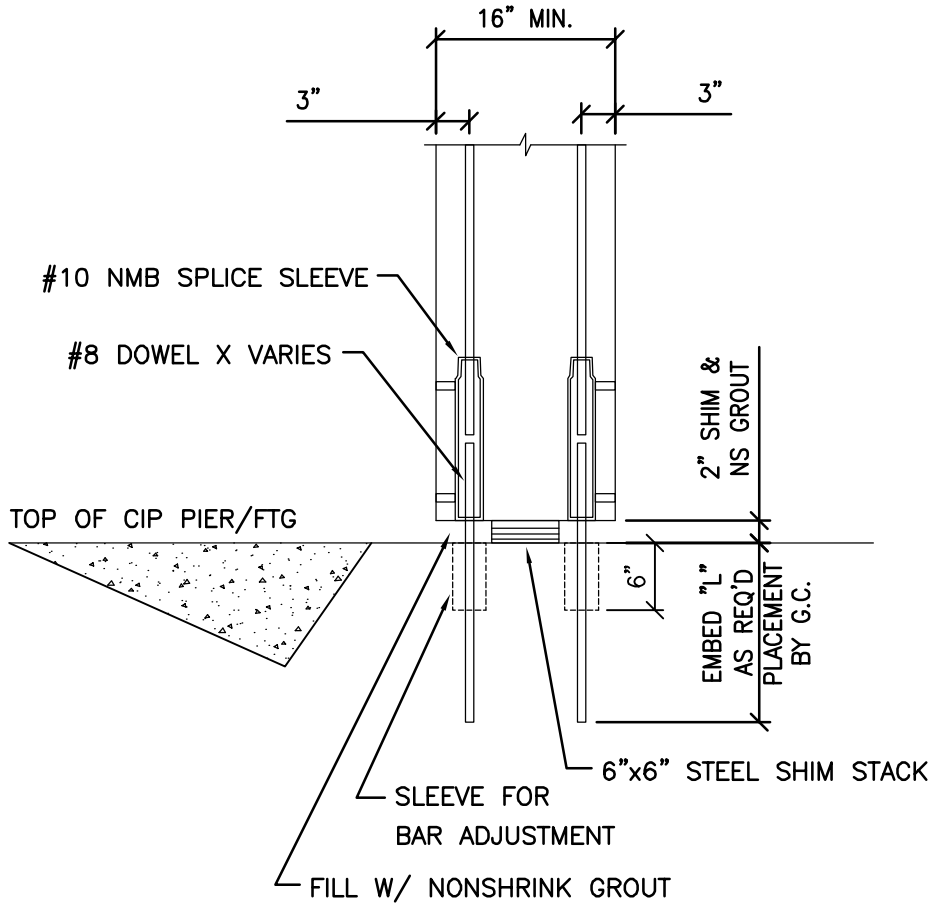


STANDARD SYSTEMS SECTIONS & DETAILS

|                  |                   |              |
|------------------|-------------------|--------------|
| 12-20-07         | 1                 | REVISED LOGO |
| DATE             | REV               | REVISIONS    |
| REVISION HISTORY |                   |              |
| DWN.:            | F.R.              | CHK.:        |
| ISSUED DATE:     | October 25th 2007 | ENGR.:       |
|                  |                   | DETAIL NO.:  |
|                  |                   | <b>F.1</b>   |



Drawing Name: F:\Engineering\System Standards\Std. Systems Details.dwg Last Modified: Dec 19, 2007 - 2:36pm Plotted on: Dec 20, 2007 - 2:17pm by: riefner



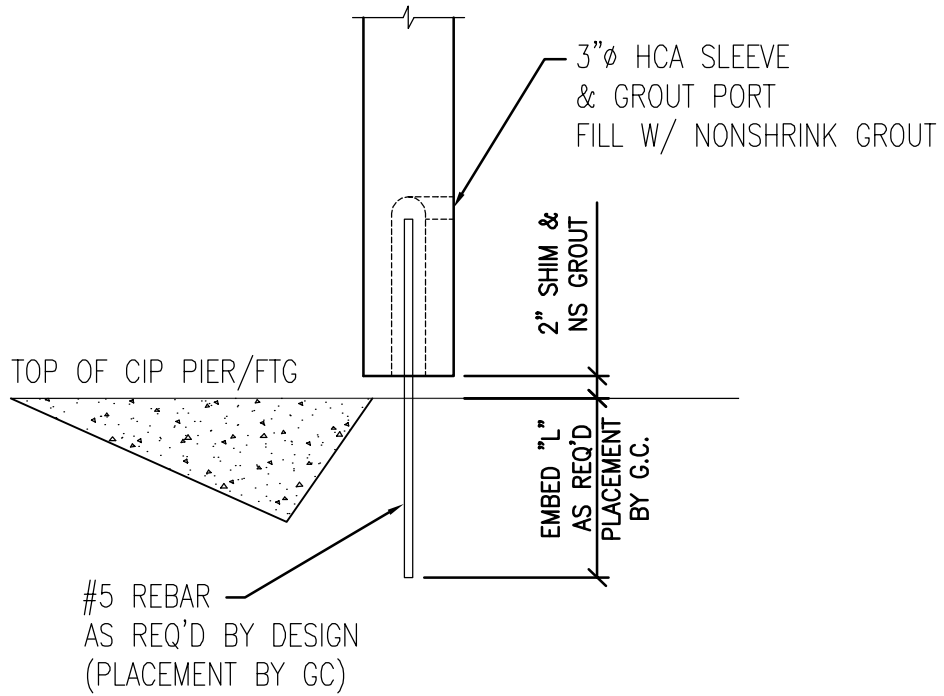
**PC COL. NMB BASE CONN.**




STANDARD SYSTEMS SECTIONS & DETAILS

|                                |             |              |
|--------------------------------|-------------|--------------|
| 12-20-07                       | 1           | REVISED LOGO |
| DATE                           | REV         | REVISIONS    |
| REVISION HISTORY               |             |              |
| DWN.: F.R.                     | CHK.:       | ENGR.:       |
| ISSUED DATE: October 25th 2007 | DETAIL NO.: | <b>F.2</b>   |

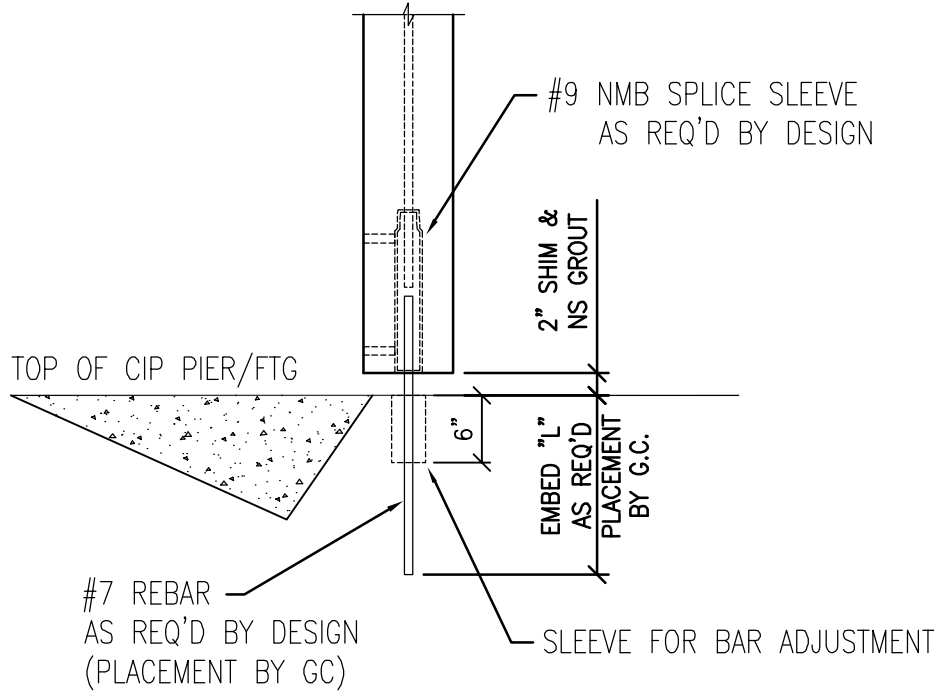
Drawing Name: F:\Engineering\System Standards\Std. Systems Details.dwg Last Modified: Dec 19, 2007 - 2:36pm Plotted on: Dec 20, 2007 - 2:17pm by riefner



## PC WALL-HCA BASE CONN.

|  |              |                   |              |
|--|--------------|-------------------|--------------|
|  <b>Oldcastle Precast<sup>®</sup></b><br>Building Systems | 12-20-07     | 1                 | REVISED LOGO |
|  | DATE         | REV               | REVISIONS    |
| REVISION HISTORY   |              |                   |              |
| STANDARD SYSTEMS SECTIONS & DETAILS  | DWN.:        | F.R.              | CHK.:        |
|  | ISSUED DATE: | October 25th 2007 | ENGR.:       |
|  |              |                   | F.3          |

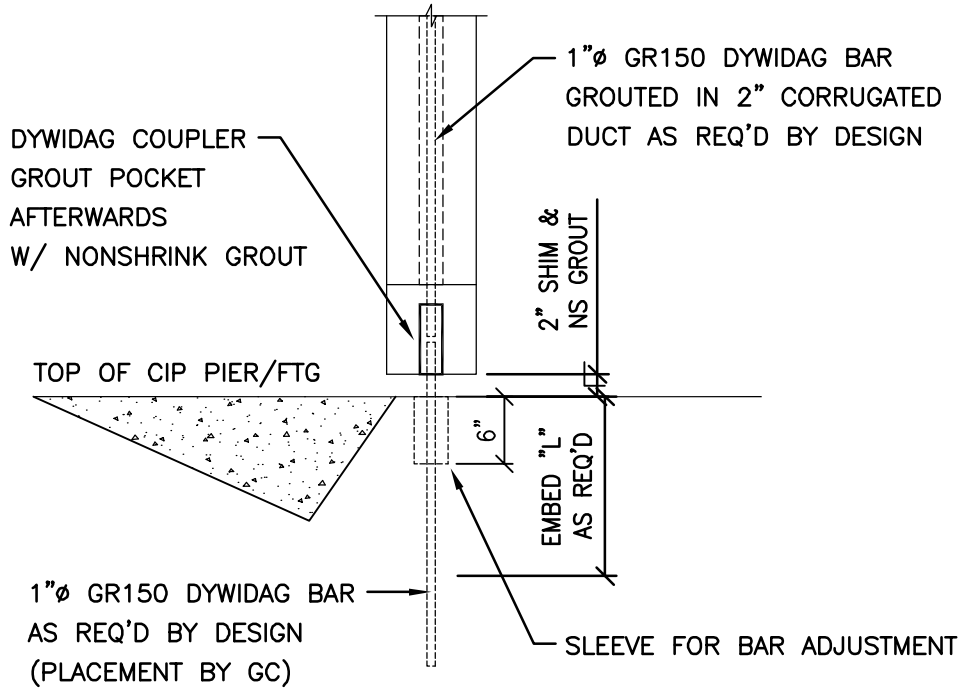
Drawing Name: F:\Engineering\System Standards\Std. Systems Details.dwg Last Modified: Dec 19, 2007 - 2:36pm Plotted on: Dec 20, 2007 - 2:17pm by riefner




## PC WALL-NMB BASE CONN.

|   |                                |                        |              |
|---|--------------------------------|------------------------|--------------|
|  <b>Oldcastle Precast®</b><br>Building Systems |                                |                        |              |
|   | 12-20-07                       | 1                      | REVISED LOGO |
|   | DATE                           | REV                    | REVISIONS    |
| REVISION HISTORY  |                                |                        |              |
| STANDARD SYSTEMS SECTIONS & DETAILS   | DWN.: F.R.                     | CHK.:                  | ENGR.:       |
|   | ISSUED DATE: October 25th 2007 | DETAIL NO.: <b>F.4</b> |              |

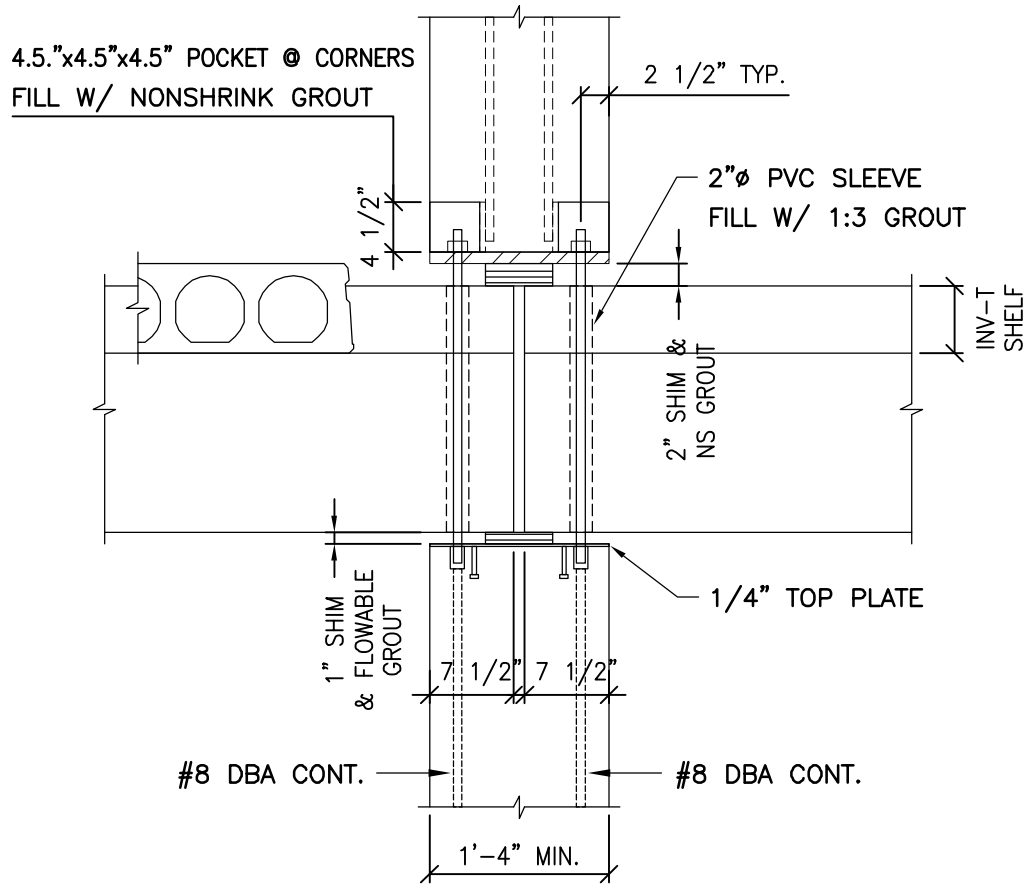
Drawing Name: F:\Engineering\System Standards\Std. Systems Details.dwg Last Modified: Dec 19, 2007 - 2:36pm Plotted on: Dec 20, 2007 - 2:17pm by riefner




## PC WALL-DYWIDAG BASE CONN.

|   |                                |                        |              |
|---|--------------------------------|------------------------|--------------|
|  <b>Oldcastle Precast®</b><br>Building Systems |                                |                        |              |
|   | 12-20-07                       | 1                      | REVISED LOGO |
|   | DATE                           | REV                    | REVISIONS    |
|   | REVISION HISTORY               |                        |              |
| STANDARD SYSTEMS SECTIONS & DETAILS   | DWN.: F.R.                     | CHK.:                  | ENGR.:       |
|   | ISSUED DATE: October 25th 2007 | DETAIL NO.: <b>F.5</b> |              |

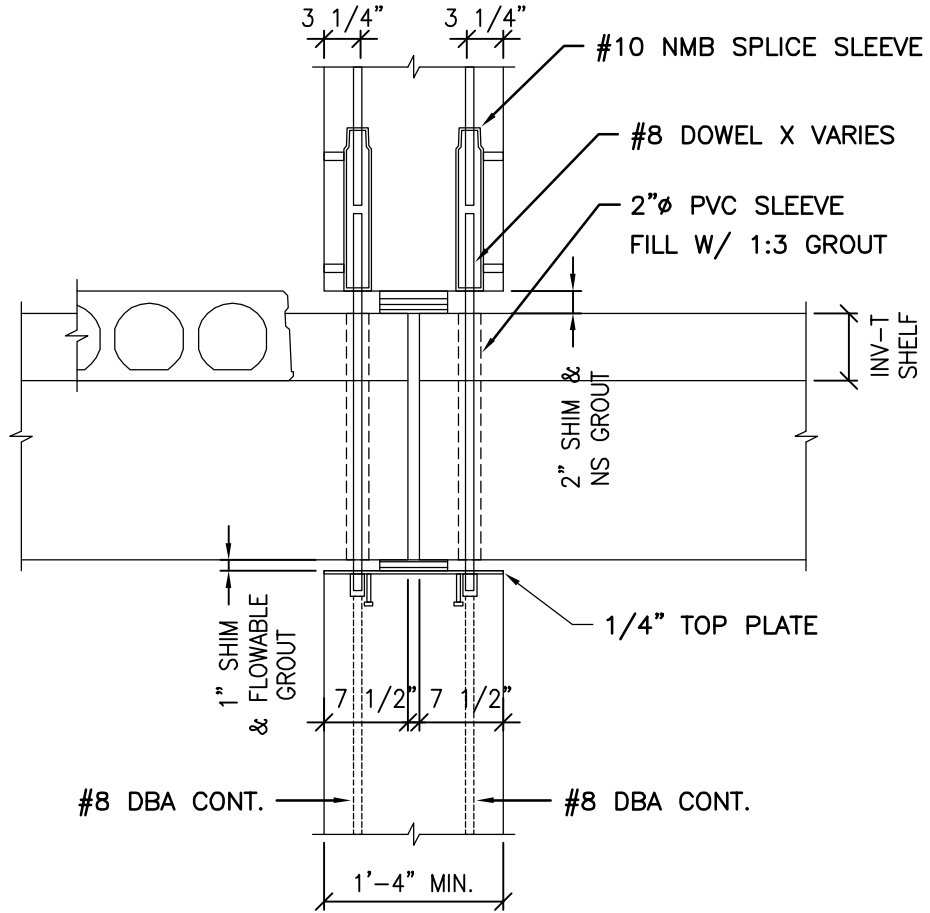
Drawing Name: F:\Engineering\System Standards\Std. Systems Details.dwg Last Modified: Dec 19, 2007 - 2:36pm Plotted on: Dec 20, 2007 - 2:17pm by riefner




## PC BEAMS & PC COLUMNS

|   |                  |                   |                           |
|---|------------------|-------------------|---------------------------|
|  <b>Oldcastle Precast®</b><br>Building Systems | 12-20-07         | 1                 | REVISED LOGO              |
|   | DATE             | REV               | REVISIONS                 |
|   | REVISION HISTORY |                   |                           |
| STANDARD SYSTEMS SECTIONS & DETAILS   | DWN.:<br>F.R.    | CHK.:             | ENGR.:                    |
|   | ISSUED DATE:     | October 25th 2007 | DETAIL NO.:<br><b>C.1</b> |

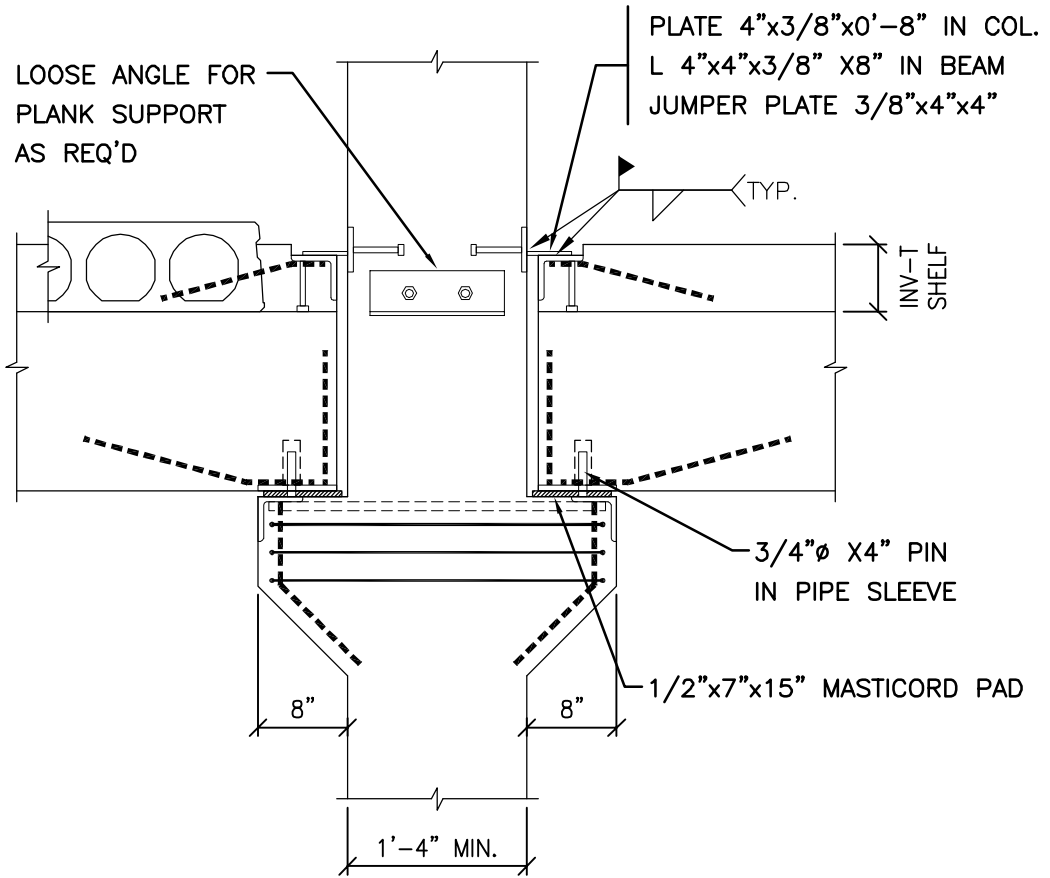
Drawing Name: F:\Engineering\System Standards\Std. Systems Details.dwg Last Modified: Dec 19, 2007 - 2:36pm Plotted on: Dec 20, 2007 - 2:17pm by riefner




## PC BEAMS & PC COLUMNS

|   |                                |             |              |
|---|--------------------------------|-------------|--------------|
|  <b>Oldcastle Precast®</b><br>Building Systems | 12-20-07                       | 1           | REVISED LOGO |
|   | DATE                           | REV         | REVISIONS    |
|   | REVISION HISTORY               |             |              |
| STANDARD SYSTEMS SECTIONS & DETAILS   | DWN.: F.R.                     | CHK.:       | ENGR.:       |
|   | ISSUED DATE: October 25th 2007 | DETAIL NO.: | C.2          |

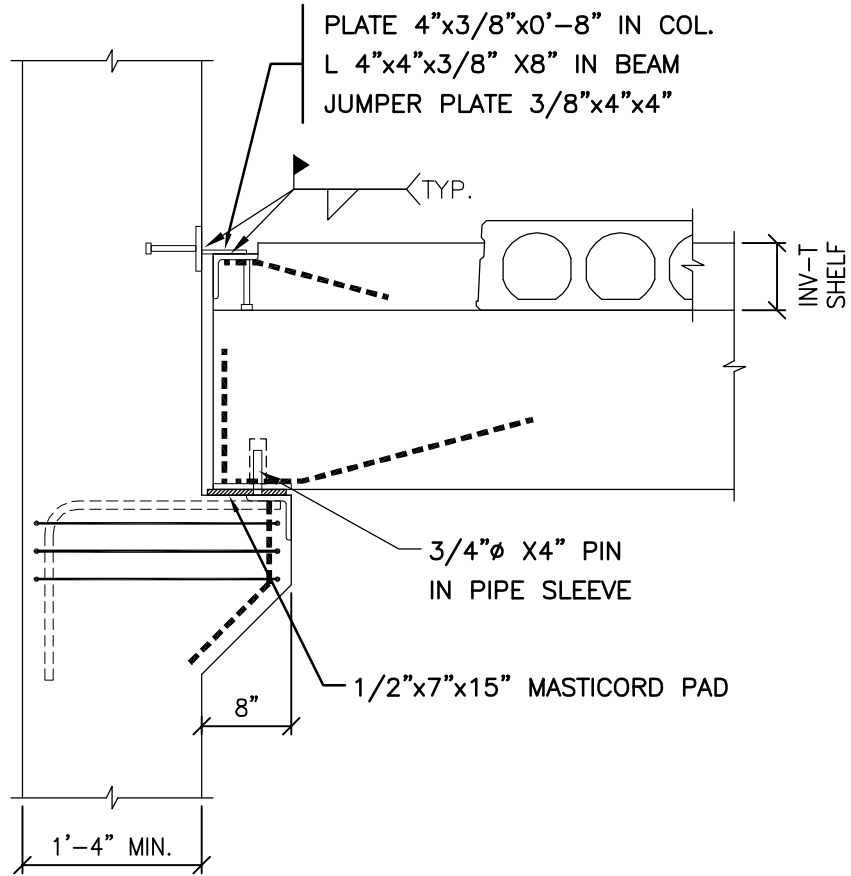
Drawing Name: F:\Engineering\System Standards\Std. Systems Details.dwg Last Modified: Dec 19, 2007 - 2:36pm Plotted on: Dec 20, 2007 - 2:17pm by riefner




## PC BEAMS ON COL. CORBELS

|   |              |                   |                        |
|---|--------------|-------------------|------------------------|
|  <b>Oldcastle Precast®</b><br>Building Systems | 12-20-07     | 1                 | REVISED LOGO           |
|   | DATE         | REV               | REVISIONS              |
| REVISION HISTORY  |              |                   |                        |
| STANDARD SYSTEMS SECTIONS & DETAILS   | DWN.: F.R.   | CHK.:             | ENGR.:                 |
|   | ISSUED DATE: | October 25th 2007 | DETAIL NO.: <b>C.3</b> |

Drawing Name: F:\Engineering\System Standards\Std. Systems Details.dwg Last Modified: Dec 19, 2007 - 2:36pm Plotted on: Dec 20, 2007 - 2:17pm by: riefner

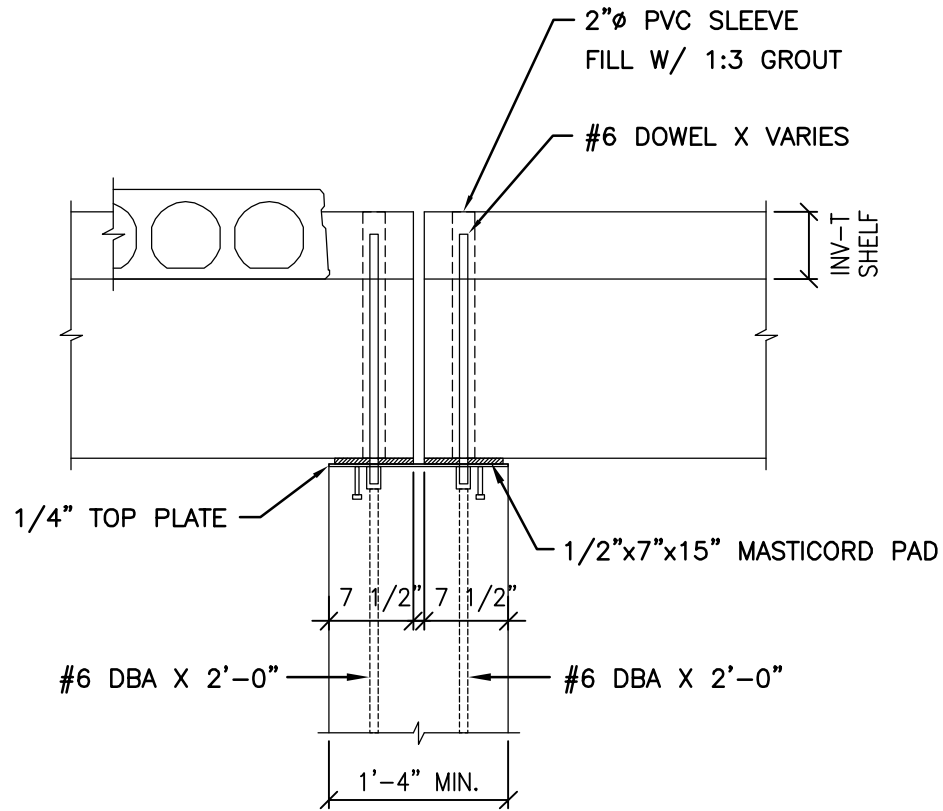


**PC BEAM ON COL. CORBEL**


|   |              |                   |              |
|---|--------------|-------------------|--------------|
|  <b>Oldcastle Precast®</b><br>Building Systems | 12-20-07     | 1                 | REVISED LOGO |
|   | DATE         | REV               | REVISIONS    |
| REVISION HISTORY  |              |                   |              |
| STANDARD SYSTEMS SECTIONS & DETAILS   | DWN.:        | F.R.              | CHK.:        |
|   | ISSUED DATE: | October 25th 2007 | ENGR.:       |
|   |              |                   | <b>C.4</b>   |



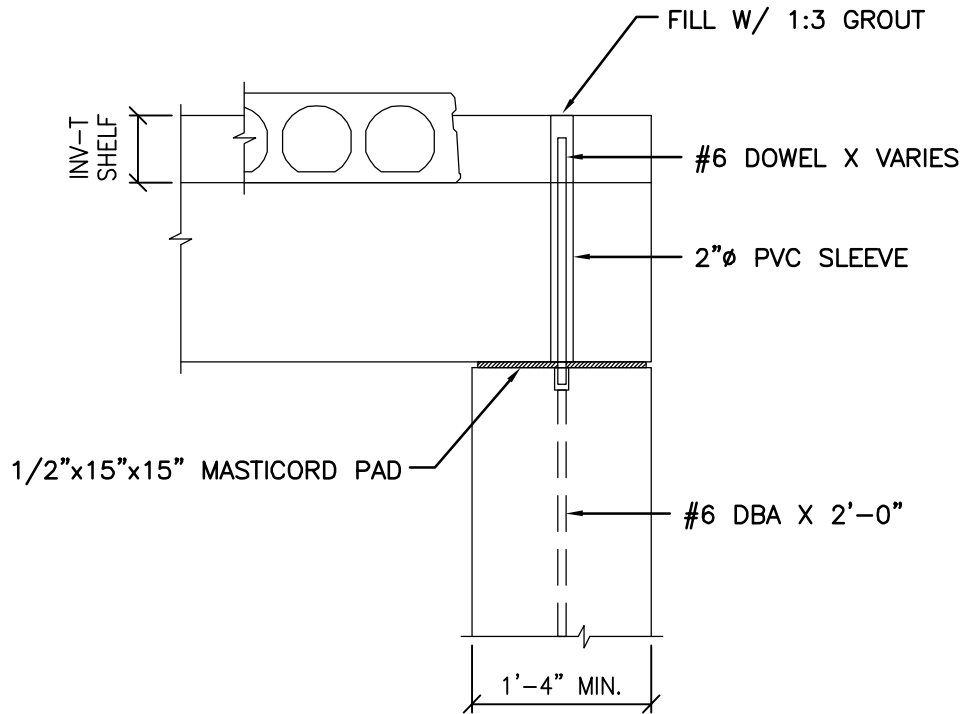
Drawing Name: F:\Engineering\System Standards\Std. Systems Details.dwg Last Modified: Dec 19, 2007 - 2:36pm Plotted on: Dec 20, 2007 - 2:17pm by riefner




**PC BEAMS BRG. ON PC COL.**

|   |                  |                   |              |
|---|------------------|-------------------|--------------|
|  <b>Oldcastle Precast®</b><br>Building Systems | 12-20-07         | 1                 | REVISED LOGO |
|   | DATE             | REV               | REVISIONS    |
|   | REVISION HISTORY |                   |              |
|   | DWN.:            | F.R.              | CHK.:        |
| STANDARD SYSTEMS SECTIONS & DETAILS   | ISSUED DATE:     | October 25th 2007 | DETAIL NO.:  |
|   |                  |                   | <b>C.5</b>   |

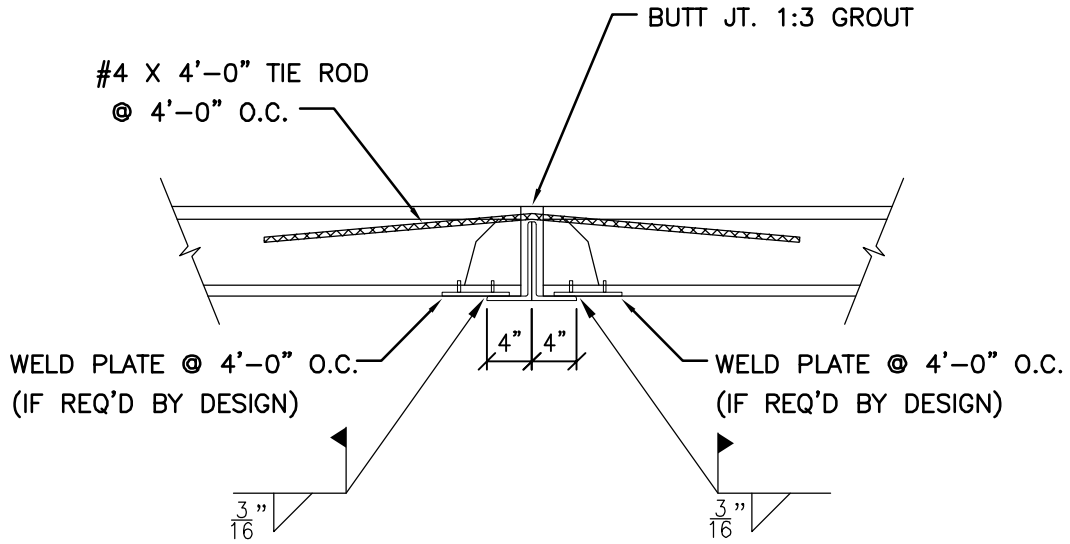
Drawing Name: F:\Engineering\System Standards\Std. Systems Details.dwg Last Modified: Dec 19, 2007 - 2:36pm Plotted on: Dec 20, 2007 - 2:17pm by: riefner




**INV-T BEAM ON PRECAST COL.**

|   |              |                   |              |
|---|--------------|-------------------|--------------|
|  <b>Oldcastle Precast®</b><br>Building Systems | 12-20-07     | 1                 | REVISED LOGO |
|   | DATE         | REV               | REVISIONS    |
| REVISION HISTORY  |              |                   |              |
| STANDARD SYSTEMS SECTIONS & DETAILS   | DWN.:        | F.R.              | CHK.:        |
|   | ISSUED DATE: | October 25th 2007 | ENGR.:       |
|   |              |                   | <b>C.6</b>   |

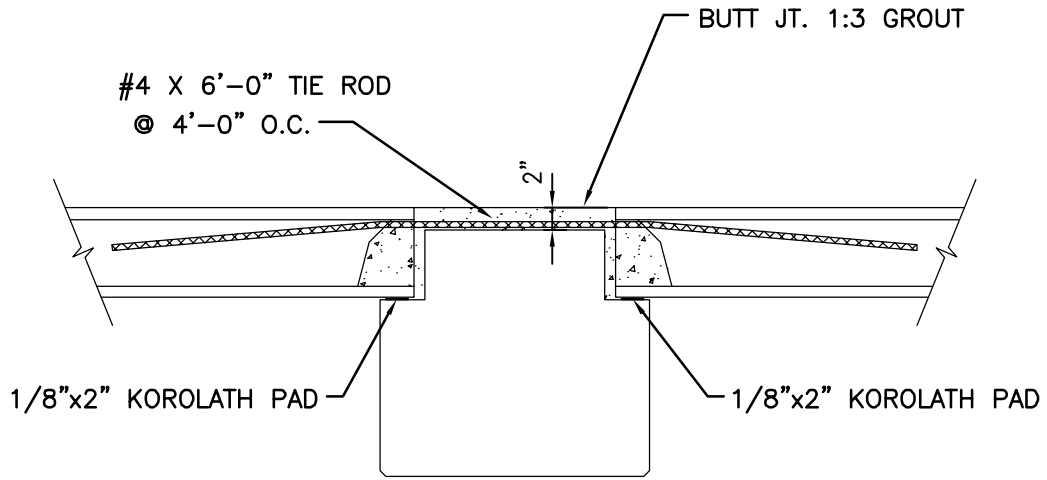
Drawing Name: F:\Engineering\System Standards\Std. Systems Details.dwg Last Modified: Dec 19, 2007 - 2:36pm Plotted on: Dec 20, 2007 - 2:17pm by riefner




## INT. CORRIDOR LINTEL

|   |                  |                   |                           |
|---|------------------|-------------------|---------------------------|
|  <b>Oldcastle Precast®</b><br>Building Systems | 12-20-07         | 1                 | REVISED LOGO              |
|   | DATE             | REV               | REVISIONS                 |
|   | REVISION HISTORY |                   |                           |
| STANDARD SYSTEMS SECTIONS & DETAILS   | DWN.:<br>F.R.    | CHK.:             | ENGR.:                    |
|   | ISSUED DATE:     | October 25th 2007 | DETAIL NO.:<br><b>B.1</b> |

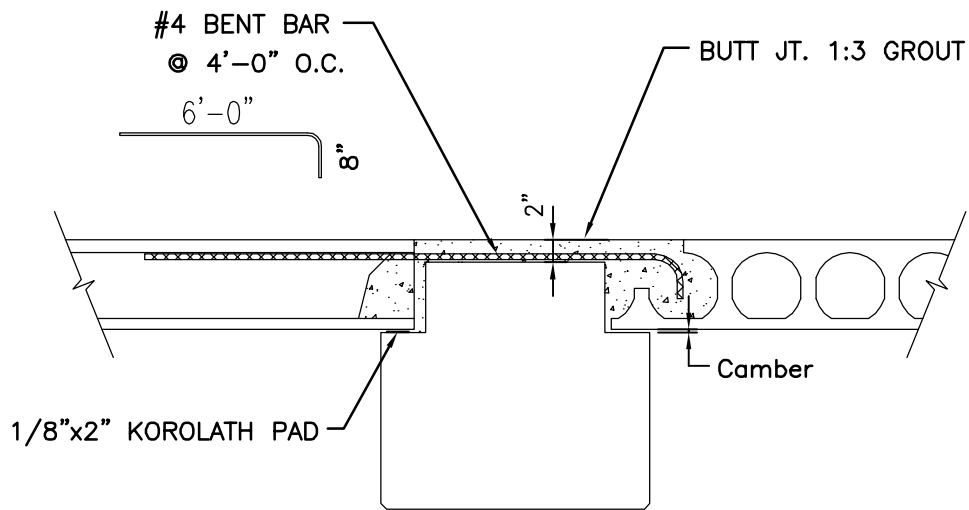
Drawing Name: F:\Engineering\System Standards\Std. Systems Details.dwg Last Modified: Dec 19, 2007 - 2:36pm Plotted on: Dec 20, 2007 - 2:17pm by riefner




## PLANK ON INV-T BEAM

|   |                                |                        |              |
|---|--------------------------------|------------------------|--------------|
|  <b>Oldcastle Precast®</b><br>Building Systems |                                |                        |              |
|   | 12-20-07                       | 1                      | REVISED LOGO |
|   | DATE                           | REV                    | REVISIONS    |
|   | REVISION HISTORY               |                        |              |
| STANDARD SYSTEMS SECTIONS & DETAILS   | DWN.: F.R.                     | CHK.:                  | ENGR.:       |
|   | ISSUED DATE: October 25th 2007 | DETAIL NO.: <b>B.2</b> |              |

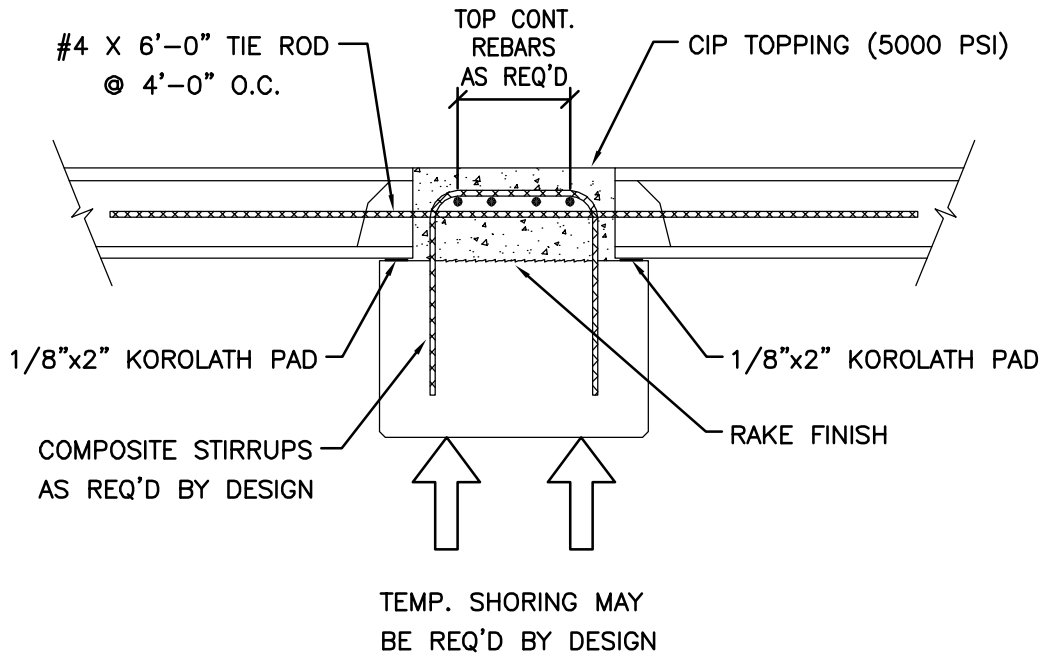
Drawing Name: F:\Engineering\System Standards\Std. Systems Details.dwg Last Modified: Dec 19, 2007 - 2:36pm Plotted on: Dec 20, 2007 - 2:17pm by riefner




## PLANK ON INV-T BEAM

|   |              |                   |              |
|---|--------------|-------------------|--------------|
|  <b>Oldcastle Precast®</b><br>Building Systems | 12-20-07     | 1                 | REVISED LOGO |
|   | DATE         | REV               | REVISIONS    |
| REVISION HISTORY  |              |                   |              |
| STANDARD SYSTEMS SECTIONS & DETAILS   | DWN.:        | F.R.              | CHK.:        |
|   | ISSUED DATE: | October 25th 2007 | ENGR.:       |
|   |              |                   | <b>B.3</b>   |

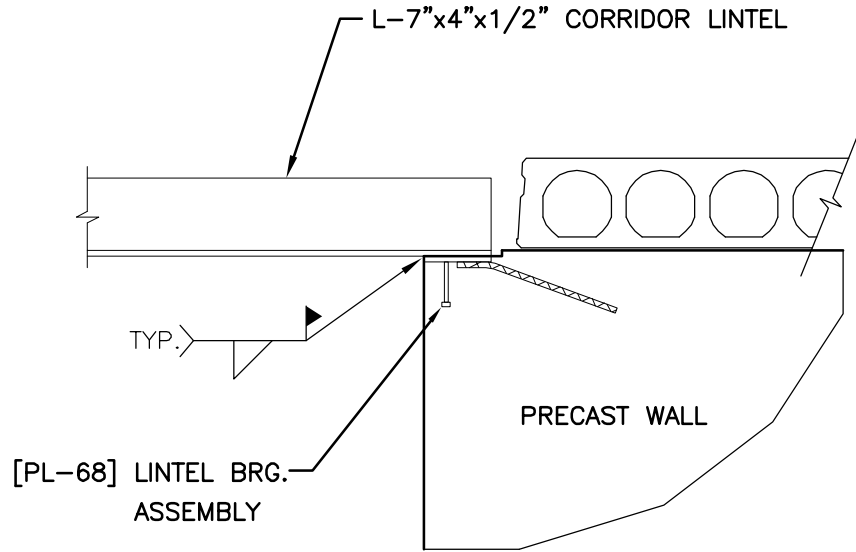
Drawing Name: F:\Engineering\System Standards\Std. Systems Details.dwg Last Modified: Dec 19, 2007 - 2:36pm Plotted on: Dec 20, 2007 - 2:17pm by riefner




## PLANK ON COMPOSITE BEAM

|   |                  |       |              |                                   |
|---|------------------|-------|--------------|-----------------------------------|
|  <b>Oldcastle Precast®</b><br>Building Systems |                  |       |              |                                   |
|   | 12-20-07         | 1     | REVISED LOGO |                                   |
|   | DATE             | REV   | REVISIONS    |                                   |
|   | REVISION HISTORY |       |              |                                   |
| STANDARD SYSTEMS SECTIONS & DETAILS   | DWN.:<br>F.R.    | CHK.: | ENGR.:       | ISSUED DATE:<br>October 25th 2007 |
|   |                  |       | DETAIL NO.:  | <b>B.4</b>                        |

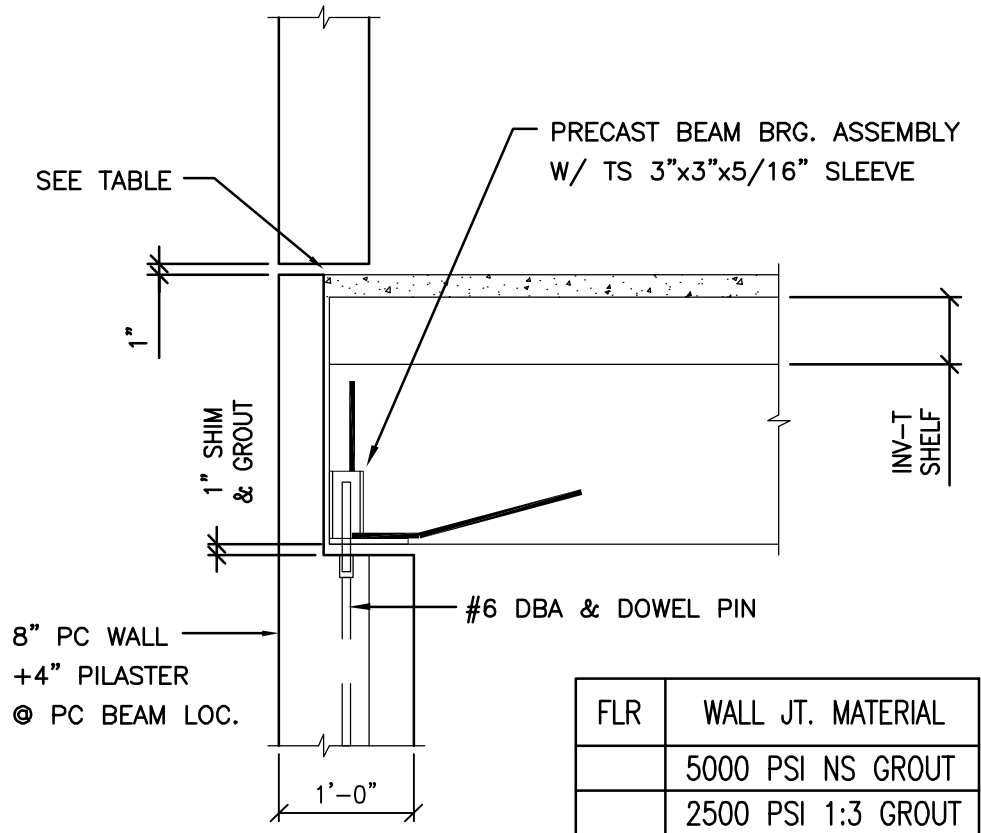
Drawing Name: F:\Engineering\System Standards\Std. Systems Details.dwg Last Modified: Dec 19, 2007 - 2:36pm Plotted on: Dec 20, 2007 - 2:17pm by riefner



LINTEL TO WALL CONN.

|   |              |                   |                        |
|---|--------------|-------------------|------------------------|
|  <b>Oldcastle Precast®</b><br>Building Systems | 12-20-07     | 1                 | REVISED LOGO           |
|   | DATE         | REV               | REVISIONS              |
| REVISION HISTORY  |              |                   |                        |
| STANDARD SYSTEMS SECTIONS & DETAILS   | DWN.:        | F.R.              | CHK.:                  |
|   | ISSUED DATE: | October 25th 2007 | ENGR.:                 |
|   |              |                   | DETAIL NO.: <b>B.5</b> |

Drawing Name: F:\Engineering\System Standards\Std. Systems Details.dwg Last Modified: Dec 19, 2007 - 2:36pm Plotted on: Dec 20, 2007 - 2:17pm by: riefner



## BEAM ON PRECAST WALL

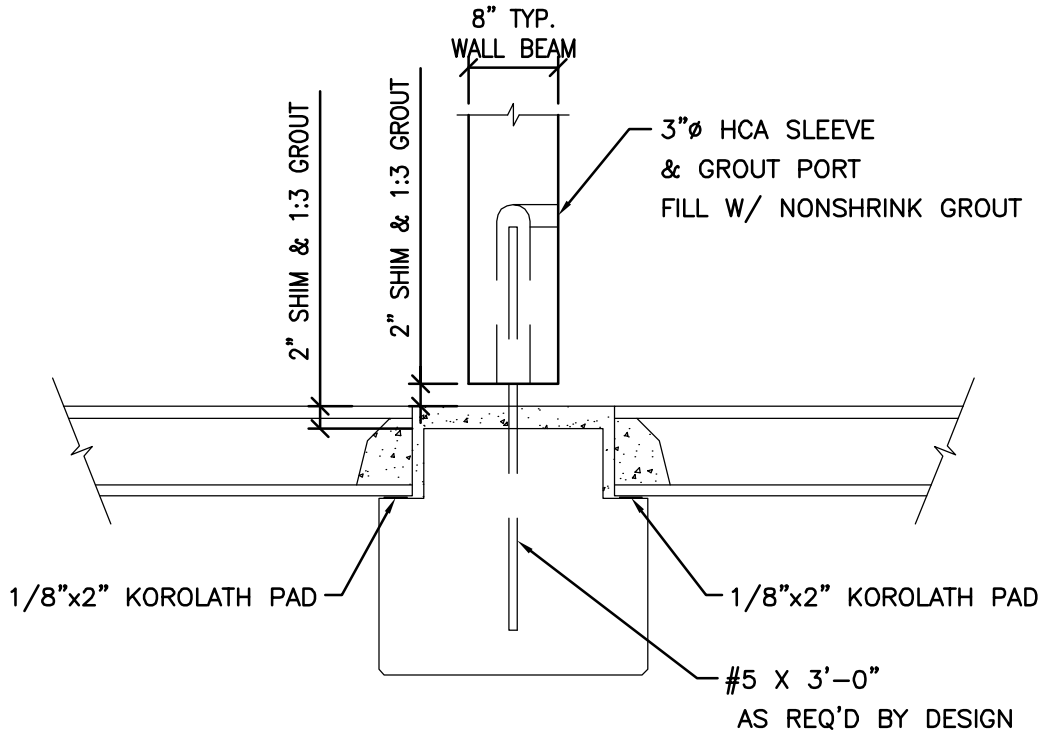


STANDARD SYSTEMS SECTIONS & DETAILS

|                                |             |              |
|--------------------------------|-------------|--------------|
| 12-20-07                       | 1           | REVISED LOGO |
| DATE                           | REV         | REVISIONS    |
| REVISION HISTORY               |             |              |
| DWN.: F.R.                     | CHK.:       | ENGR.:       |
| ISSUED DATE: October 25th 2007 | DETAIL NO.: | <b>B.6</b>   |



Drawing Name: F:\Engineering\System Standards\Std. Systems Details.dwg Last Modified: Dec 19, 2007 - 2:36pm Plotted on: Dec 20, 2007 - 2:17pm by riefner



## WALL ON INV-T BEAM

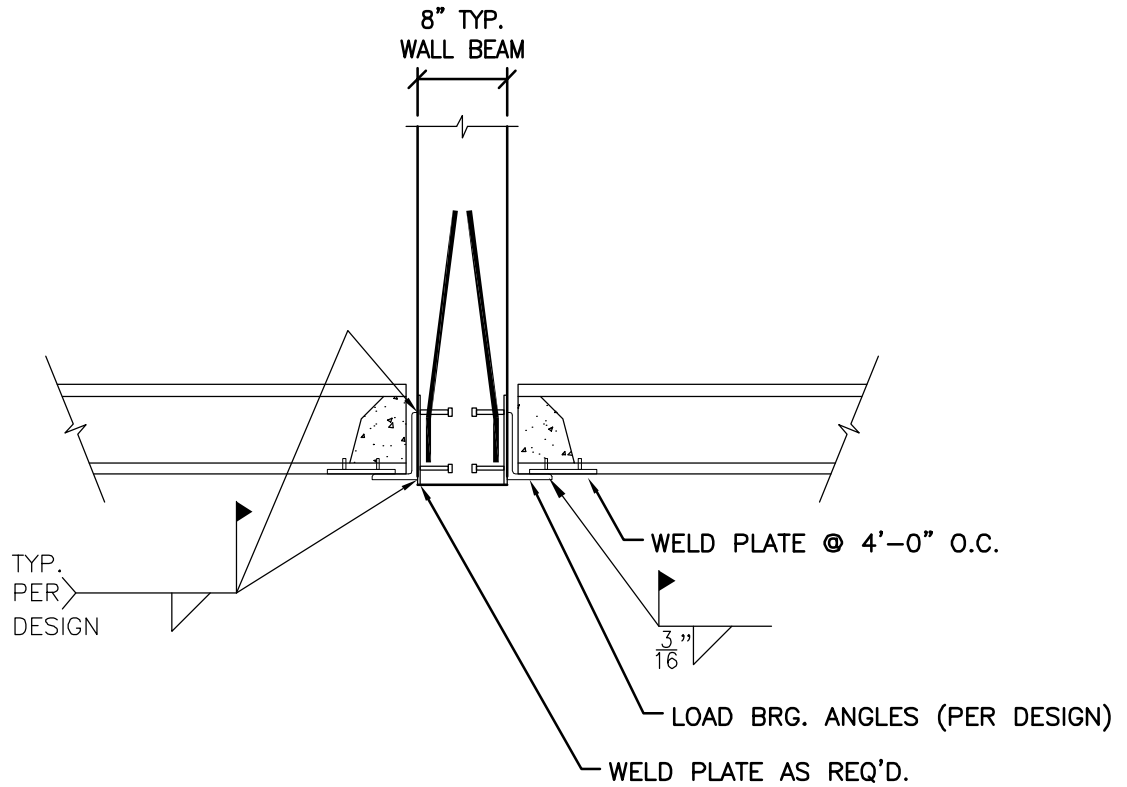


**Oldcastle Precast®**  
Building Systems


|                  |                   |              |
|------------------|-------------------|--------------|
| 12-20-07         | 1                 | REVISED LOGO |
| DATE             | REV               | REVISIONS    |
| REVISION HISTORY |                   |              |
| DWN.:            | F.R.              | CHK.:        |
|                  |                   | ENGR.:       |
| ISSUED DATE:     | October 25th 2007 | DETAIL NO.:  |
|                  |                   | <b>B.7</b>   |

STANDARD SYSTEMS SECTIONS & DETAILS

Drawing Name: F:\Engineering\System Standards\Std. Systems Details.dwg Last Modified: Dec 19, 2007 - 2:36pm Plotted on: Dec 20, 2007 - 2:17pm by riefner



## WALL BEAM WITH BOTTOM SUPPORT

|   |          |                        |              |
|---|----------|------------------------|--------------|
|  <b>Oldcastle Precast®</b><br>Building Systems |          |                        |              |
|   | 12-20-07 | 1                      | REVISED LOGO |
|   | DATE     | REV                    | REVISIONS    |
| REVISION HISTORY  |          |                        |              |
| DWN.: F.R.  |          | CHK.:                  | ENGR.:       |
| ISSUED DATE: October 25th 2007  |          | DETAIL NO.: <b>B.8</b> |              |

STANDARD SYSTEMS SECTIONS & DETAILS