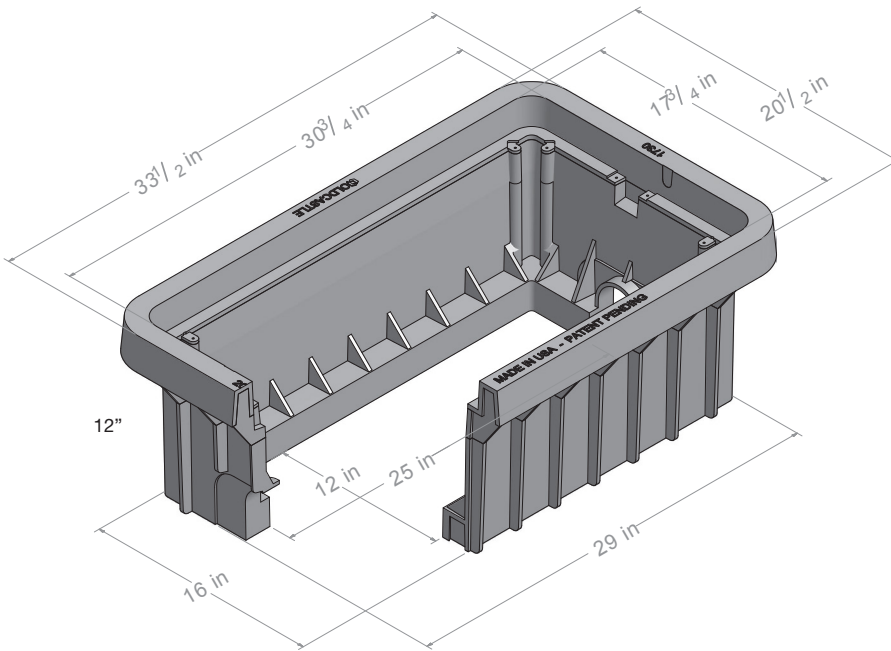
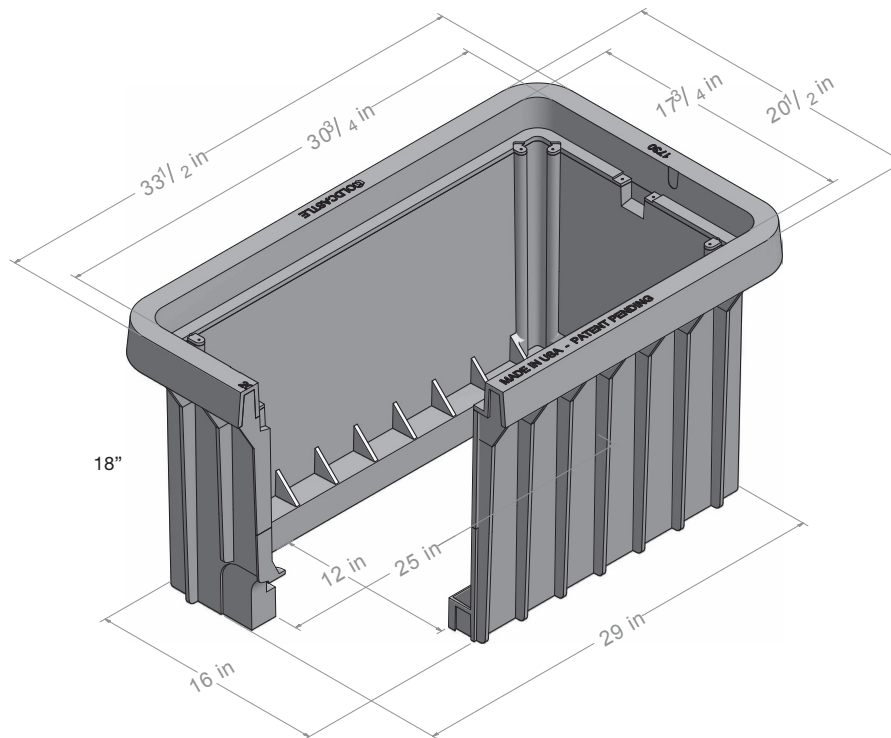


Heavywall
1730BCF



12" BODY:

- Material: HDPE
- Model: 17" x 30"
- Weight: 25 lbs
- Wall Type: Straight
- Mouseholes: 0-4
- Performance: ANSI/SCTE-77 Tier 8, WUC 3.6, ASTM C857 A-8, Exceeds 20,000 lb minimum load failure



18" BODY:

- Material: HDPE
- Model: 17" x 30"
- Weight: 33 lbs
- Wall Type: Straight
- Mouseholes: 0-4
- Performance: ANSI/SCTE-77 Tier 8, WUC 3.6, ASTM C857 A-8, Exceeds 20,000 lb minimum load failure



Medium Duty:
Non-deliberate Traffic

For use in non-vehicular traffic situations only.

Actual load rating is determined by the box and cover combination. Weights and dimensions may vary slightly.

Rev 10/2016 ©2016 Oldcastle, Inc.

*Cover comes standard with permanent markings for manufacturer, load rating, model size and manufacturing location.

Contact your Oldcastle Enclosure Solutions Distribution Center for specific information and additional options.

877-250-5139

oldcastleprecast.com/enclosuresolutions

Heavywall
1730BCF

Options:

Available Heavy Duty Plastic Covers:

- Flush Solid Cover
- Flush Cover with Plastic Reader Door
- Flush Cover with Cast Iron Reader Door
- Flush Cover with AMR Recess
- Flush Cover with AMR Bracket (undermount)

Available Polymer Concrete Covers:

- Flush Solid Cover
- Flush Cover with Cast Iron Reader Door

Available Composite Covers:

- Flush Solid Cover

Available Ductile Iron Covers:

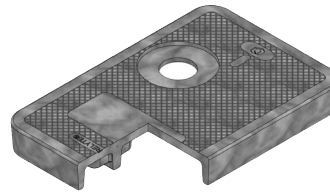
- Flush Solid Cover
- Flush Cover with Ductile Iron Max View Reader Door

Add On Options for All Covers:

- AMR Opening

Add On Options for Plastic and Polymer Covers:

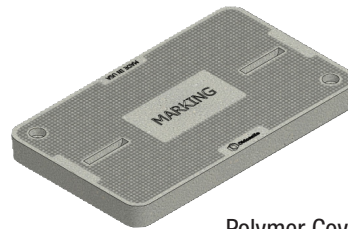
- AMR Bracket



Composite with AMR Recess



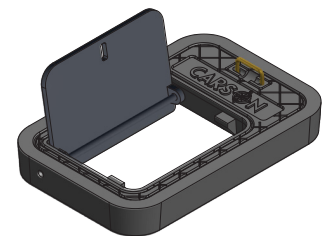
HD HDPE Flush Solid



Polymer Cover



HD HDPE AMR Recess



Ductile Iron Max View Cover

Raw Material Specifications:

Material Property	ASTM Test Method	Typical Value ¹
Type, Class, Category	D 1248	III, A, 3
Density, g/cm ³	D 1505	0.950 min., not to exceed 0.965
Tensile Strength, at break, psi	D 638	3,000 to 4,400
Elongation, at break, %	D 638	400
Tensile Impact, ft-lb/in ²	D 1822	27
Flexural Modulus, psi	D 790	120,000 min., not to exceed 240,000
Low Temperature Brittleness, F50, at °C	D 746	<-76
Hardness, Shore D	D 2240	66
Deflection Temperature, at 66 psi, °F	D 648	150° min., not to exceed 200°
Electrical Dielectric Strength, V/mil	D 149	400 min., not to exceed 600
Molded Product		
Chemical Resistance	D 543	Very Resistant
Water Absorption	D 570	Less than 1% weight change

¹The values listed for physical property measurements are nominal values only. Certain physical property measurements are subject to variations consistent with the test methods and are within a generally accepted range for such values.

Product Load Rating:



Medium Duty : Non-deliberate Traffic

For use in non-vehicular traffic situations only.

Note:

Actual load rating is determined by the box and cover combination. Weights and dimensions may vary slightly. All information contained on this sheet is current at the time of printing. Oldcastle Precast, Inc. reserves the right to discontinue or update product information without notice.

