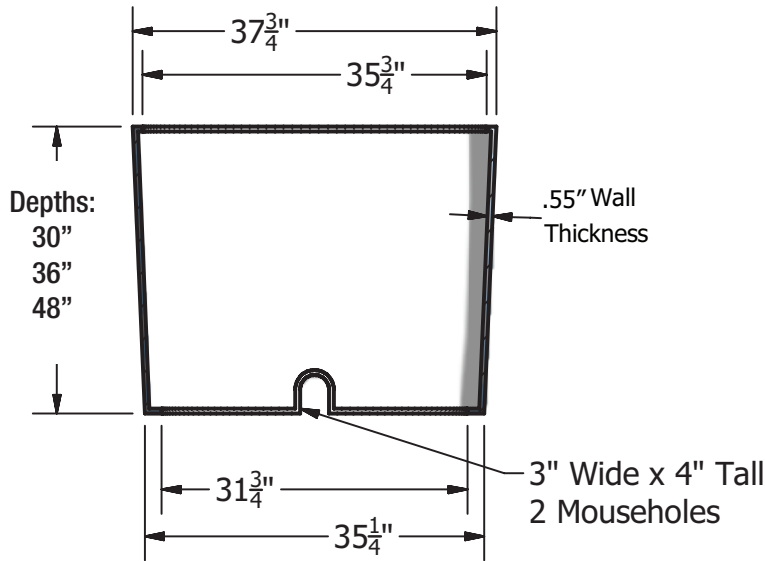
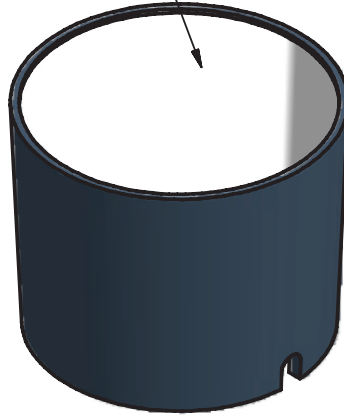


Heavywall  
**0036-B**

White Interior



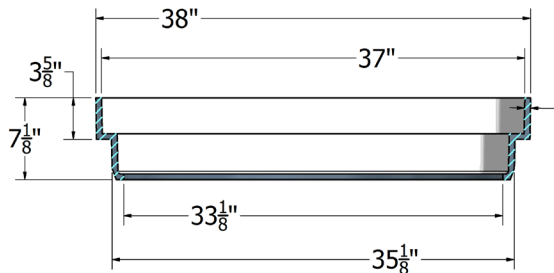
**BODY:**

Material: Polyethylene Blend  
 Model: 36" Dia.  
 Weight: 30" Depth: 49 lbs  
 36" Depth: 60 lbs  
 48" Depth: 85 lbs

Mouseholes: 2

**EXTENSION:**

Material: Polyethylene Blend  
 Weight: 3" Depth: 16 lbs



Medium Duty:  
Non-deliberate Traffic

For use in non-vehicular traffic situations only.

Actual load rating is determined by the box and cover combination. Weights and dimensions may vary slightly.

Rev 10/2016 ©2016 Oldcastle, Inc.

\*Cover comes standard with permanent markings for manufacturer, load rating, model size and manufacturing location.

Contact your Oldcastle Enclosure Solutions Distribution Center for specific information and additional options.

877-250-5139

[oldcastleprecast.com/enclosuresolutions](http://oldcastleprecast.com/enclosuresolutions)

Heavywall  
**0036-B**

**Options:**

**Available Plastic Covers:**

H2O Plastic Cover (for use with cast iron frame)

**Available Monitor Set:**

Cast Iron Cover with Cast Iron Frame (2 Piece)  
(Requires use of Expander Ring)

**Add On Options for Cast Iron Cover:**

Touch Read Hole

**Locking Options for Cast Iron Cover:**

Penta Nut (Small or Large)



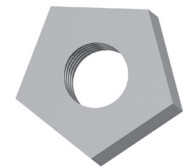
H2O Plastic



Cast Iron Cover



Cast Iron Frame



Penta Nut Detail

**Raw Material Specifications:**

- Meter Boxes are high-density Polyethylene, one-piece molded construction
- Wall thickness minimum .550"
- Tested to vertical load rating of 20,000 lbs. minimum
- Sidewall loading of 200 lb side load, applied with a 4" X 4" plate.
- Multi-layer wall construction
- Black exterior surface to provide UV protection
- Gray foaming for strength and insulating value
- White interior surface for ease of meter reading
- Manufactured by Oldcastle Precast Enclosure Solutions

**Cast Iron Meter Ring and Lid Specifications:**

- Made of cast iron conforming to ASTM A48 standards and marked with country of origin
- Coated with a factory applied water based asphalt paint
- Castings are ground smooth and cleaned by shot blasting, uniform quality, free from sand holes, shrinkage, cracks and other surface defects, with a dimensional tolerance of +/- 1/16" per foot based on the accepted foundry tolerances outlined in the Iron Castings Handbook published by the American Foundry Society.

**Product Load Rating:**



**Medium Duty : Non-deliberate Traffic**

For use in non-vehicular traffic situations only.

**Note:**

Actual load rating is determined by the box and cover combination. Weights and dimensions may vary slightly  
All information contained on this sheet is current at the time of printing.  
Oldcastle Precast, Inc. reserves the right to discontinue or update product information without notice.

