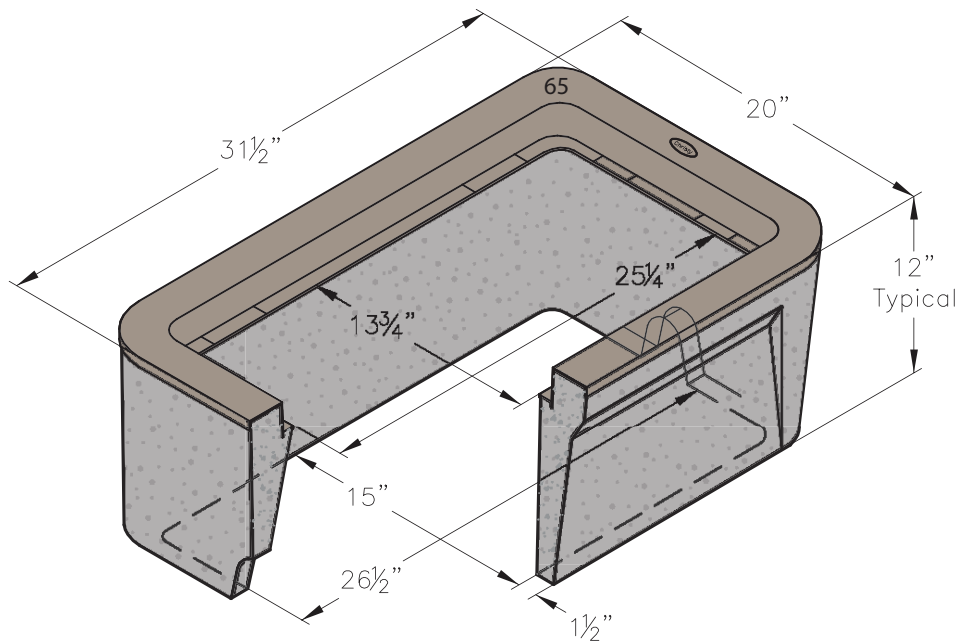
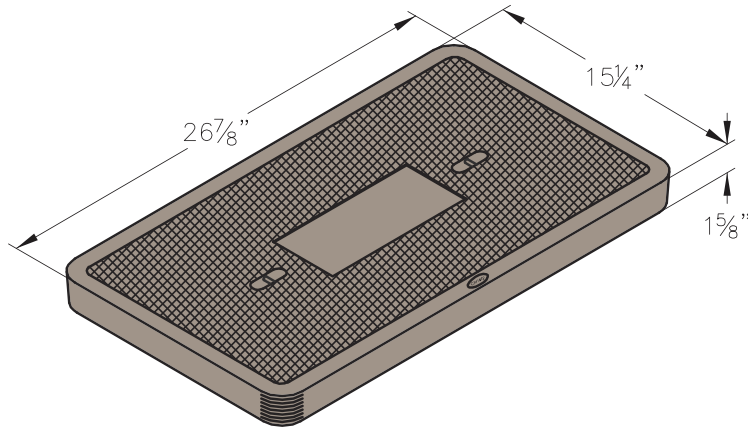


B65



COVER:

Style: Flush
 Material: Reinforced Concrete
 Model: 15" x 27"
 Weight: 56 lbs
 Options: Special Markings
 Surface: Skid Resistant & Marked*
 Coefficient of Friction: >0.6 ASTM 1028
 Performance: ASTM C 857, WUC 3.6

BODY:

Material: Reinforced Concrete with Composite Cap
 Model: 20" x 31"
 Weight: 160 lbs
 Wall Type: Straight
 Mouseholes: 0
 Performance: ASTM C 857, WUC 3.6

EXTENSION:

Material: Reinforced Concrete
 Depth: 12"
 Weight: 104 lbs



Light Duty:
Pedestrian Only

*Cover comes standard with permanent markings for manufacturer, load rating, model size and manufacturing location.

Contact your Oldcastle Enclosure Solutions Distribution Center for specific information and additional options.

Actual load rating is determined by the box and cover combination. Weights and dimensions may vary slightly.
 Rev 10/2016 ©2016 Oldcastle, Inc.

B65

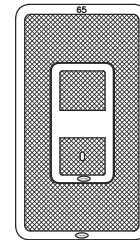
Options:

Concrete Covers:

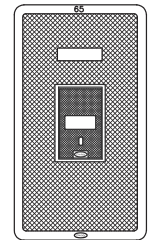
- Flush Solid
- Flush with CI Reader Door
- Flush with Concrete Reader Lid Slab

Steel Checker Plate Covers:

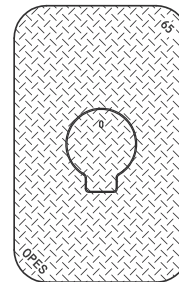
- Flush Solid
- Flush with 8" Round Reader Door
- Galvanizing Available



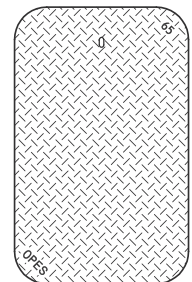
Concrete with CI Reader



Concrete with Concrete Reader



Steel with Reader



Steel

Product Load Rating:



Light Duty : Pedestrian Only

Note:

Actual load rating is determined by the box and cover combination. Weights and dimensions may vary slightly. All information contained on this sheet is current at the time of printing. Oldcastle Precast, Inc. reserves the right to discontinue or update product information without notice.

