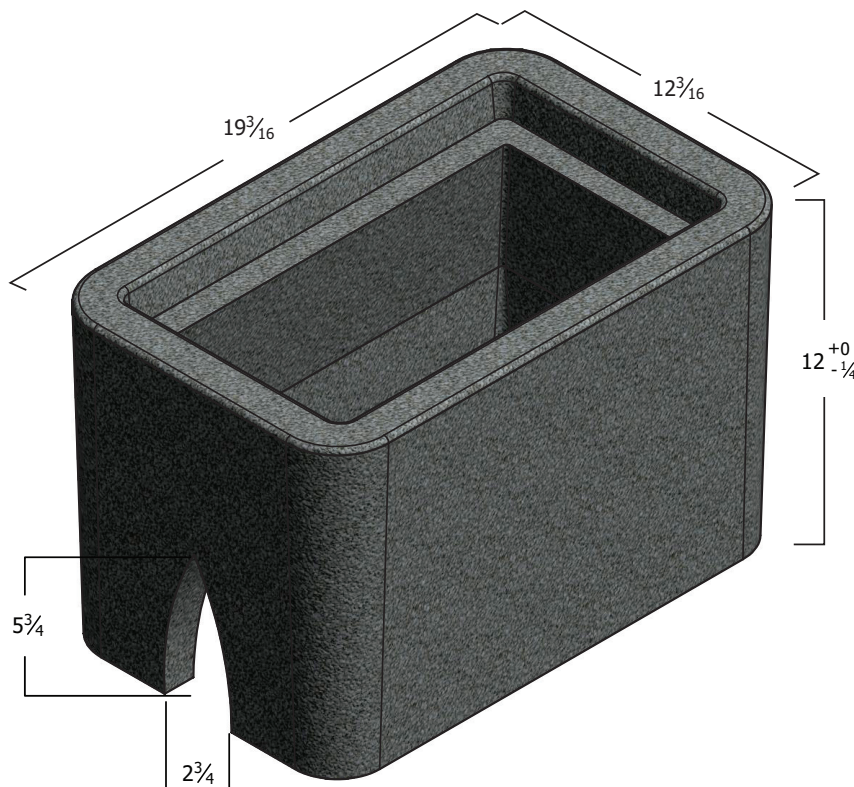
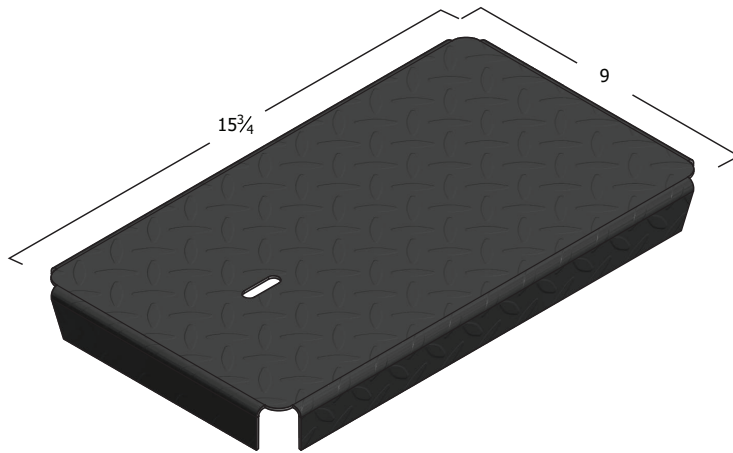


MAG#1



COVER:

Style: Flush
 Material: Steel with Rust Inhibitor Paint
 Model: MAG #1
 Weight: 4 lbs
 Surface: Skid Resistant*
 Coefficient of Friction: >0.6 ASTM 1028
 Performance: ASTM C 857, WUC 3.6

BODY:

Material: Reinforced Concrete
 Model: MAG #1
 Weight: 83 lbs
 Wall Type: Straight
 Mouseholes: 2
 Performance: ASTM C 857, WUC 3.6



Light Duty:
Pedestrian Only

We do not recommend installation in concrete or asphalt.

Actual load rating is determined by the box and cover combination. Weights and dimensions may vary slightly.

Rev 10/2016 ©2016 Oldcastle, Inc.

* Polymer Concrete (PC) Covers come standard with permanent markings for manufacturer, load rating, model size and manufacturing location.

Contact your Oldcastle Enclosure Solutions Distribution Center for specific information and additional options.

MAG#1

Options:

Steel Covers:

- Flush Solid (Standard)
- Flush with Touch Read
- Flush Solid with Welded Corners

Polymer Concrete (PC) Covers:

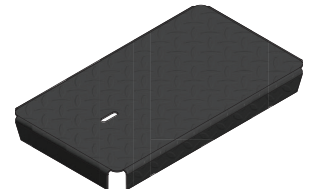
- Flush Solid
- Flush with Touch Read

Options for Polymer Concrete (PC) Covers:

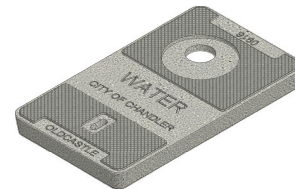
- Special Markings



PC Flush Solid



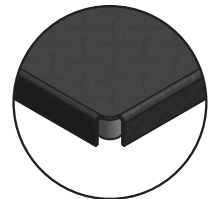
Steel Flush Solid



PC with Touch Read



Steel with Touch Read



Welded Corner

Product Load Rating:



Light Duty : Pedestrian Only

Note:

Actual load rating is determined by the box and cover combination. Weights and dimensions may vary slightly. All information contained on this sheet is current at the time of printing. Oldcastle Precast, Inc. reserves the right to discontinue or update product information without notice.

