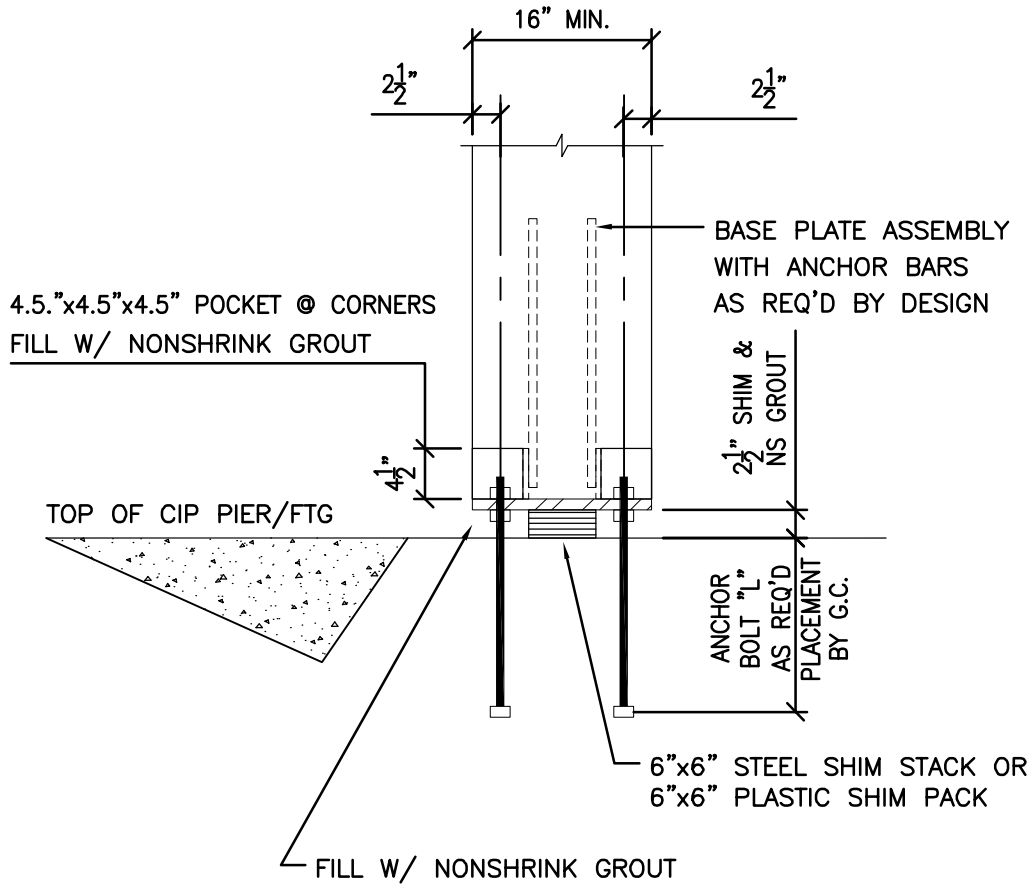


Drawing Name: C:\Users\frifer\AppData\Local\Microsoft\Windows\Temporary Internet Files\Content.Outlook\DPK93MRN\Std Systems Details(Master).dwg Last Modified: Aug 13, 2009 - 9:16am Plotted on: Aug 31, 2009 - 2:01pm by frifer



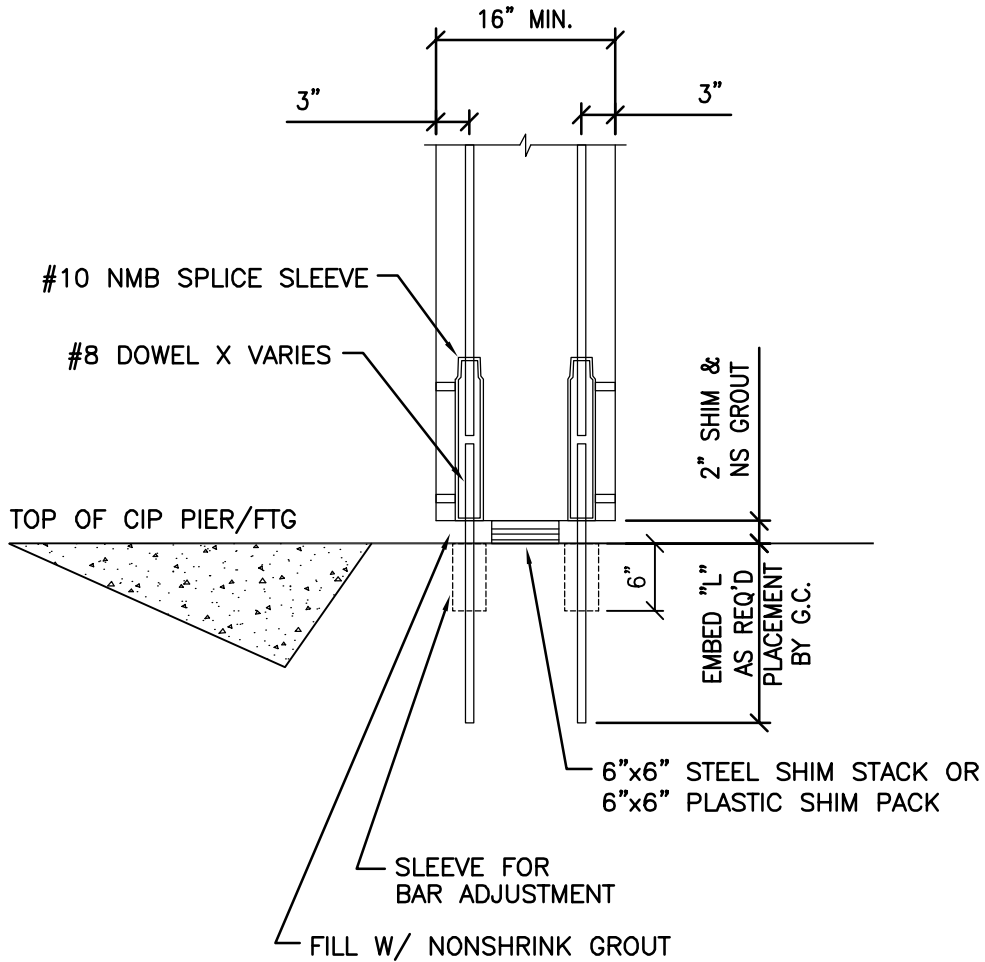
PC COL. BASE PLATE CONN.




STANDARD SYSTEMS SECTIONS & DETAILS

09-01-09	2	ADDED PLASTIC SHIM NOTE
12-20-07	1	REVISED LOGO
DATE	REV	REVISIONS
REVISION HISTORY		
DWN.:	F.R.	CHK.:
		ENGR.:
ISSUED DATE:	October 25th 2007	DETAIL NO.:
		F.1

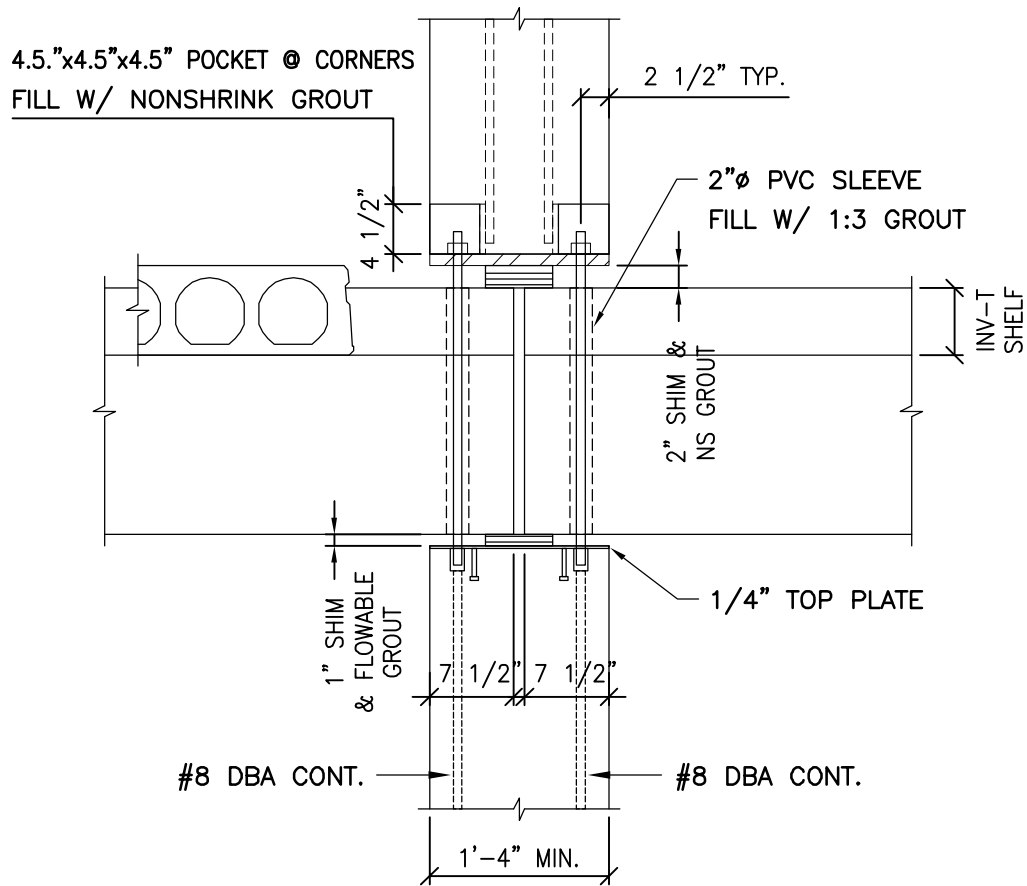
Drawing Name: C:\Users\Friefer\AppData\Local\Microsoft\Windows\Temporary Internet Files\Content.Outlook\DPK93MRN\Std Systems Details(Master).dwg Last Modified: Aug 13, 2009 - 9:16am Plotted on: Aug 31, 2009 - 2:01pm by friefner



PC COL. NMB BASE CONN.

 Oldcastle Precast® Building Systems	09-01-09	2	ADDED PLASTIC SHIM NOTE
	12-20-07	1	REVISED LOGO
	DATE	REV	REVISIONS
REVISION HISTORY			
STANDARD SYSTEMS SECTIONS & DETAILS	DWN.:	F.R.	CHK.:
	ISSUED DATE:	October 25th 2007	ENGR.:
		DETAIL NO.:	F.2

Drawing Name: C:\Users\Friefer\AppData\Local\Microsoft\Windows\Temporary Internet Files\Content.Outlook\OPK93MRN\Sid Systems Details(Master).dwg Last Modified: Aug 13, 2009 - 9:16am Plotted on: Aug 31, 2009 - 2:02pm by friefner



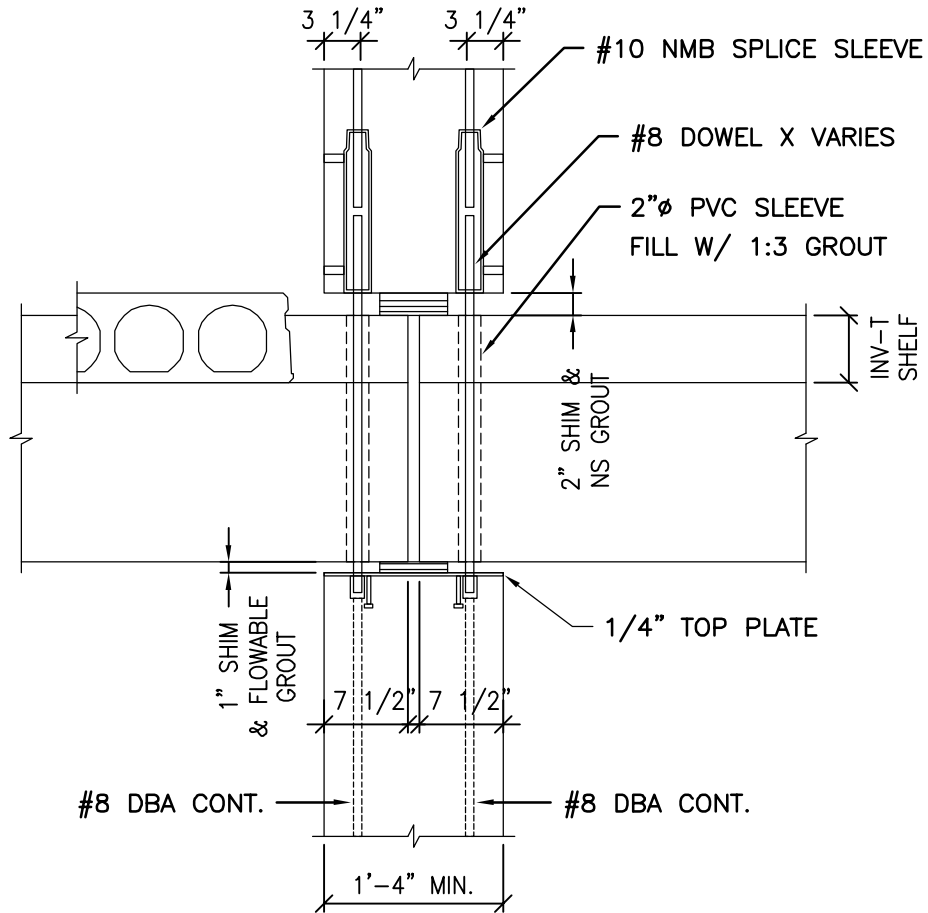
PC BEAMS & PC COLUMNS




STANDARD SYSTEMS SECTIONS & DETAILS

12-20-07	1	REVISED LOGO
DATE	REV	REVISIONS
REVISION HISTORY		
DWN.:	F.R.	CHK.:
ISSUED DATE:	October 25th 2007	ENGR.:
DETAIL NO.:		C.1

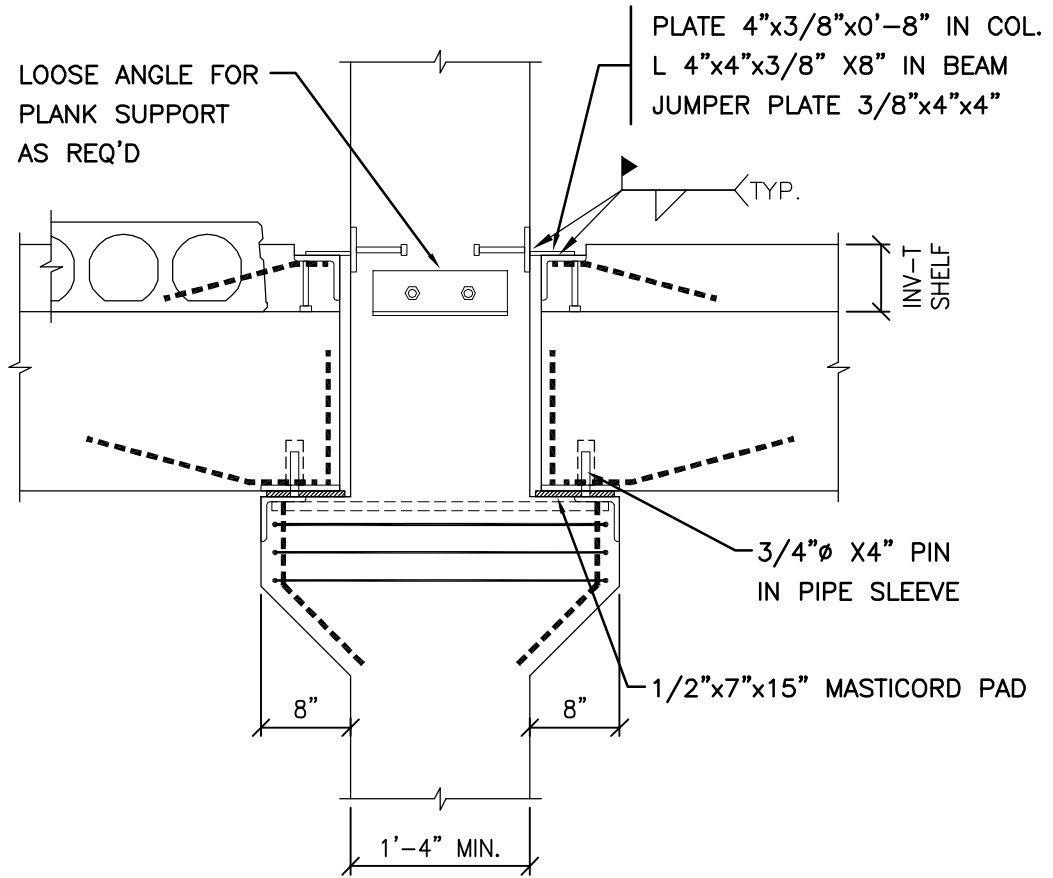
Drawing Name: C:\Users\Friefer\AppData\Local\Microsoft\Windows\Temporary Internet Files\Content.Outlook\OPK3JRN\Std_Systems_Details(Master).dwg Last Modified: Aug 13, 2009 - 9:16am Plotted on: Aug 31, 2009 - 2:02pm by friefner



PC BEAMS & PC COLUMNS

 Oldcastle Precast® Building Systems						
	12-20-07	1	REVISED LOGO			
	DATE	REV	REVISIONS			
	REVISION HISTORY					
STANDARD SYSTEMS SECTIONS & DETAILS	DWN.: F.R.	CHK.:	ENGR.:			
	ISSUED DATE:	October 25th 2007		DETAIL NO.:	C.2	

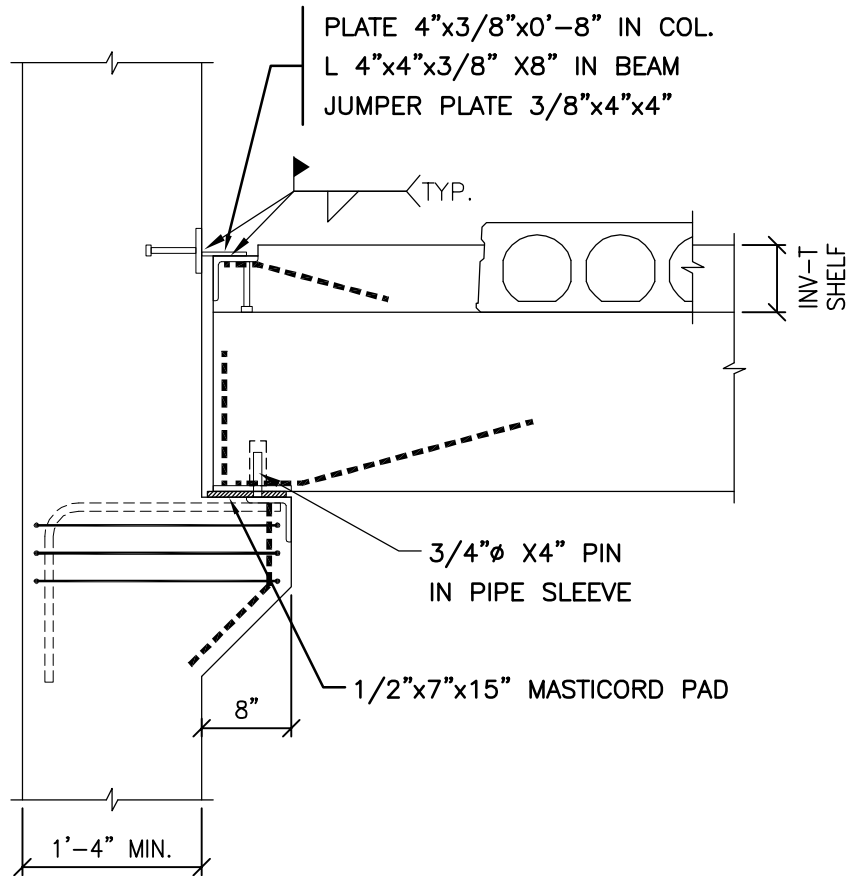
Drawing Name: C:\Users\Friefer\AppData\Local\Microsoft\Windows\Temporary Internet Files\Content.Outlook\OPK3JMRN\Std Systems Details(Master).dwg Last Modified: Aug 13, 2009 - 9:16am Plotted on: Aug 31, 2009 - 2:02pm by friefner



PC BEAMS ON COL. CORBELS

 Oldcastle Precast® Building Systems			
	12-20-07	1	REVISED LOGO
	DATE	REV	REVISIONS
	REVISION HISTORY		
STANDARD SYSTEMS SECTIONS & DETAILS	DWN.: F.R.	CHK.:	ENGR.:
	ISSUED DATE: October 25th 2007	DETAIL NO.: C.3	

Drawing Name: C:\Users\Friefer\AppData\Local\Microsoft\Windows\Temporary Internet Files\Content.Outlook\OPK3JMRN\Std Systems Details(Master).dwg Last Modified: Aug 13, 2009 - 9:16am Plotted on: Aug 31, 2009 - 2:02pm by friefner



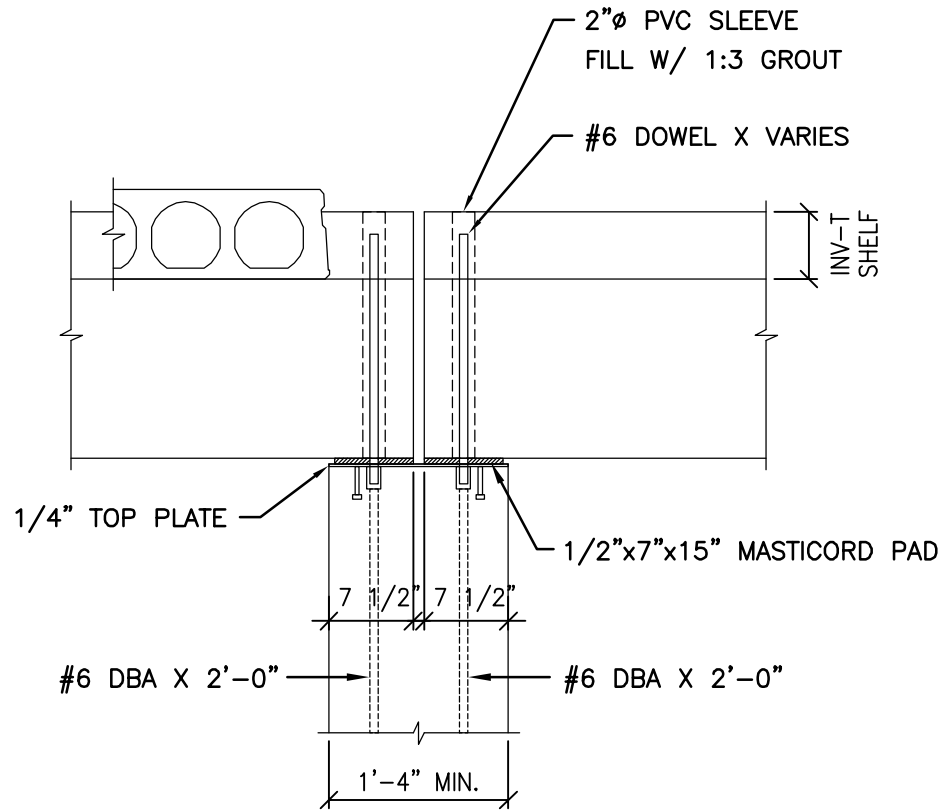
PC BEAM ON COL. CORBEL




STANDARD SYSTEMS SECTIONS & DETAILS

12-20-07	1	REVISED LOGO
DATE	REV	REVISIONS
REVISION HISTORY		
DWN.: F.R.	CHK.:	ENGR.:
ISSUED DATE: October 25th 2007	DETAIL NO.:	C.4

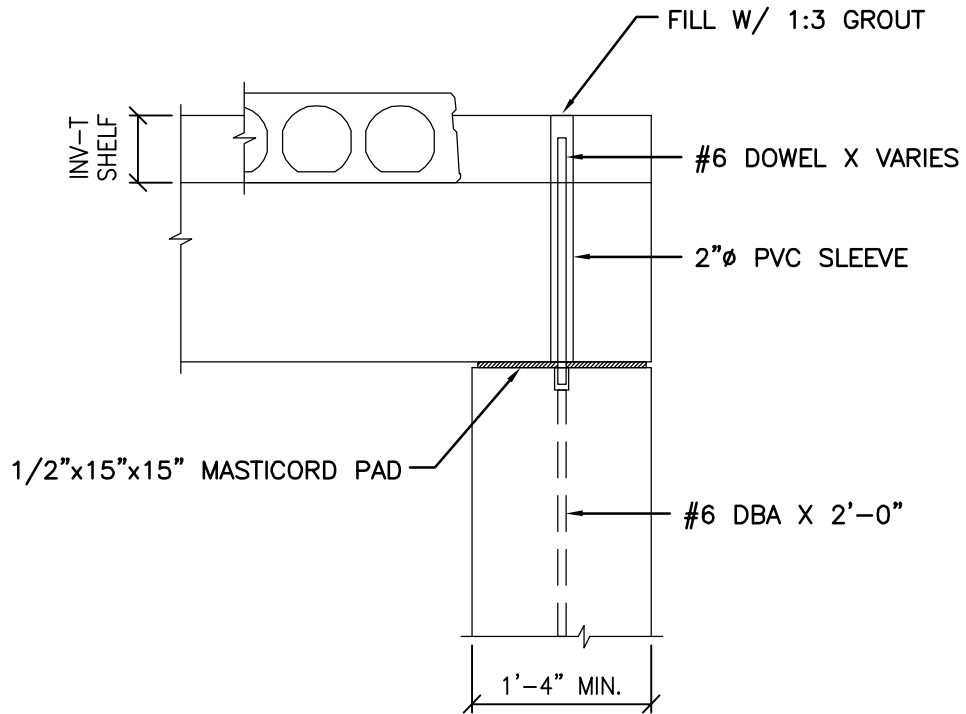
Drawing Name: C:\Users\Friefer\AppData\Local\Microsoft\Windows\Temporary Internet Files\Content.Outlook\OPK93MRN\Std - Systems Details(Master).dwg Last Modified: Aug 13, 2009 - 9:16am Plotted on: Aug 31, 2009 - 2:02pm by friefner



PC BEAMS BRG. ON PC COL.

 Oldcastle Precast® Building Systems	12-20-07	1	REVISED LOGO
	DATE	REV	REVISIONS
REVISION HISTORY			
STANDARD SYSTEMS SECTIONS & DETAILS	DWN.:	F.R.	CHK.:
	ISSUED DATE:	October 25th 2007	ENGR.:
			C.5

Drawing Name: C:\Users\Friefer\AppData\Local\Microsoft\Windows\Temporary Internet Files\Content.Outlook\OPK93MRN\Std Systems Details(Master).dwg Last Modified: Aug 13, 2009 - 9:16am Plotted on: Aug 31, 2009 - 2:02pm by friefner



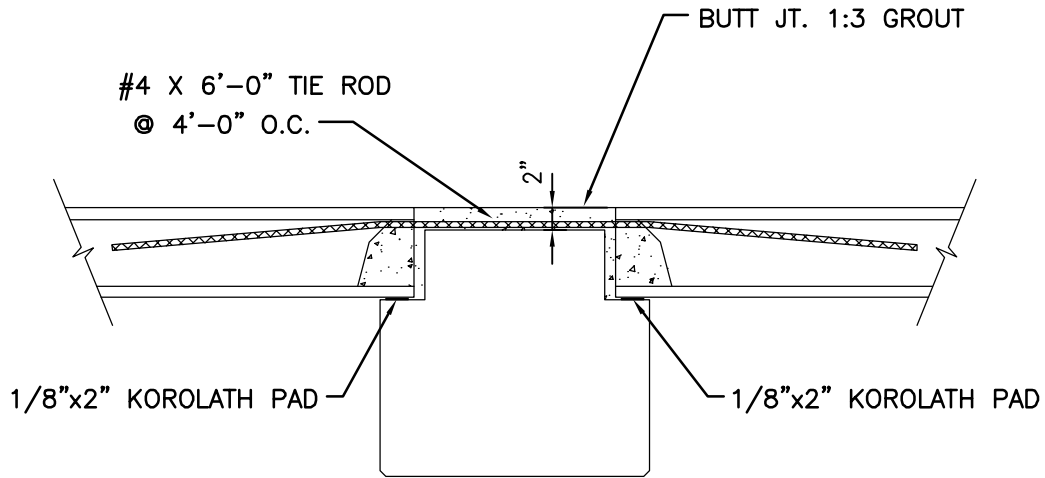
INV-T BEAM ON PRECAST COL.



STANDARD SYSTEMS SECTIONS & DETAILS

12-20-07	1	REVISED LOGO
DATE	REV	REVISIONS
REVISION HISTORY		
DWN.:	F.R.	CHK.:
ISSUED DATE:	October 25th 2007	ENGR.:
DETAIL NO.:		C.6

Drawing Name: C:\Users\Friefer\AppData\Local\Microsoft\Windows\Temporary Internet Files\Content.Outlook\OPK93MRN\Std - Systems Details(Master).dwg Last Modified: Aug 13, 2009 - 9:16am Plotted on: Aug 31, 2009 - 2:02pm by friefier



PLANK ON INV-T BEAM

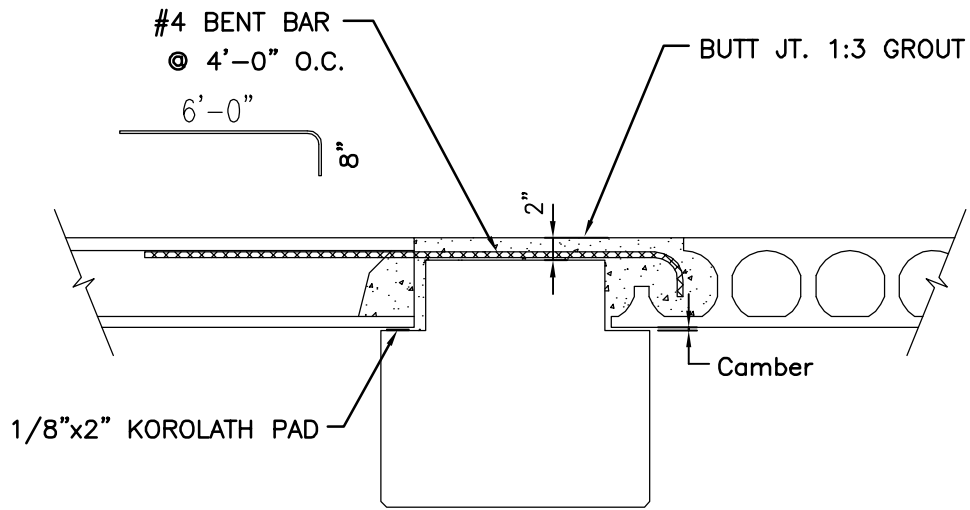


Oldcastle Precast®
Building Systems


12-20-07	1	REVISED LOGO
DATE	REV	REVISIONS
REVISION HISTORY		
DWN.:	F.R.	CHK.:
ISSUED DATE:	October 25th 2007	ENGR.:
		DETAIL NO.:
		B.2

STANDARD SYSTEMS SECTIONS & DETAILS

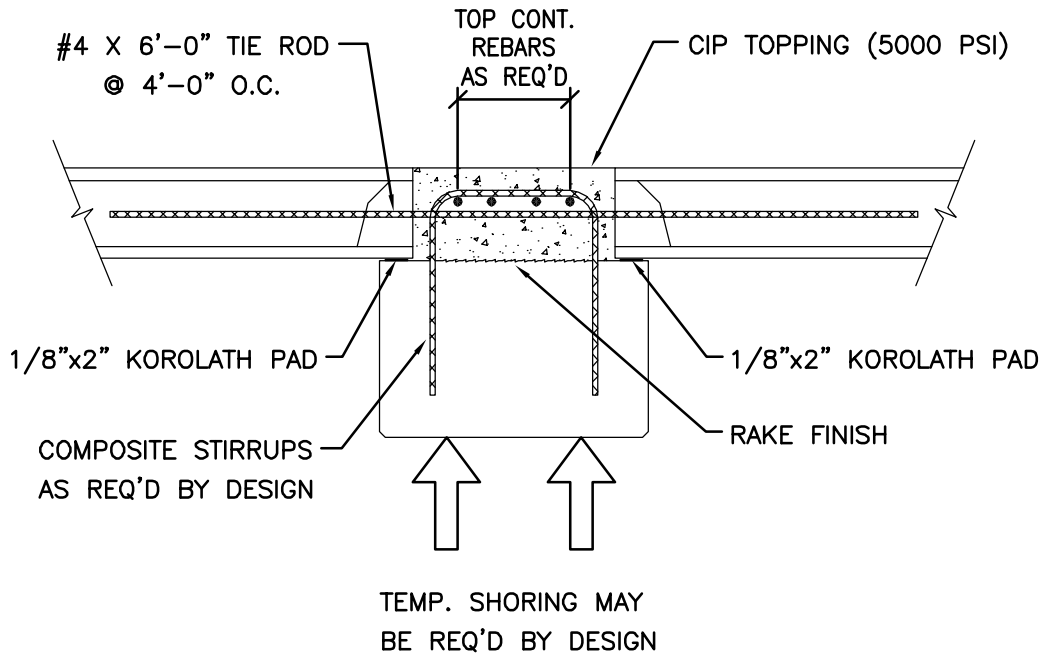
Drawing Name: C:\Users\Friefer\AppData\Local\Microsoft\Windows\Temporary Internet Files\Content.Outlook\OPK3JMRN\Std - Systems Details(Master).dwg Last Modified: Aug 13, 2009 - 9:16am Plotted on: Aug 31, 2009 - 2:02pm by friefner



PLANK ON INV-T BEAM

 Oldcastle Precast® Building Systems	12-20-07	1	REVISED LOGO
	DATE	REV	REVISIONS
REVISION HISTORY			
STANDARD SYSTEMS SECTIONS & DETAILS	DWN.:	F.R.	CHK.:
	ISSUED DATE:	October 25th 2007	ENGR.:
			DETAIL NO.: B.3

Drawing Name: C:\Users\Friefer\AppData\Local\Microsoft\Windows\Temporary Internet Files\Content.Outlook\OPK3JRN\Std Systems Details(Master).dwg Last Modified: Aug 13, 2009 - 9:16am Plotted on: Aug 31, 2009 - 2:02pm by friefner



PLANK ON COMPOSITE BEAM

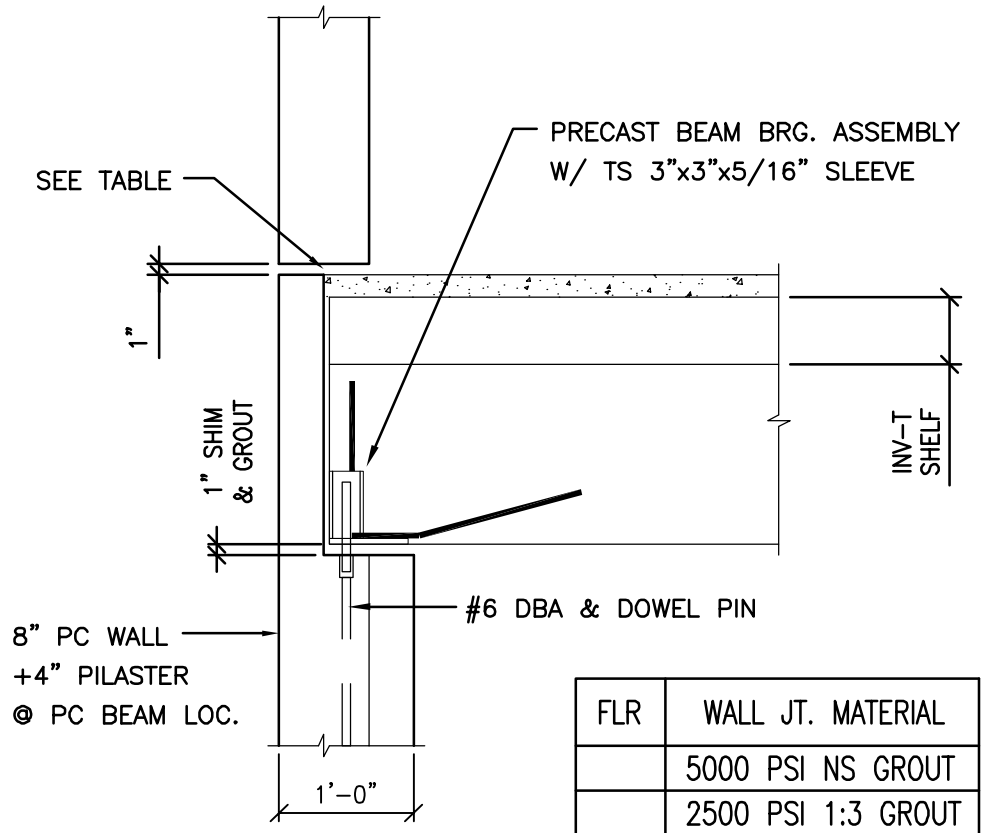


Oldcastle Precast®
Building Systems

STANDARD SYSTEMS SECTIONS & DETAILS

12-20-07	1	REVISED LOGO
DATE	REV	REVISIONS
REVISION HISTORY		
DWN.:	F.R.	CHK.:
ISSUED DATE:	October 25th 2007	ENGR.:
DETAIL NO.:		B.4

Drawing Name: C:\Users\Friefer\AppData\Local\Microsoft\Windows\Temporary Internet Files\Content.Outlook\OPK3JMRN\Std Systems Details(Master).dwg Last Modified: Aug 13, 2009 - 9:16am Plotted on: Aug 31, 2009 - 2:02pm by friefner



BEAM ON PRECAST WALL



Oldcastle Precast®
Building Systems

12-20-07 1 REVISED LOGO

DATE REV REVISIONS

REVISION HISTORY

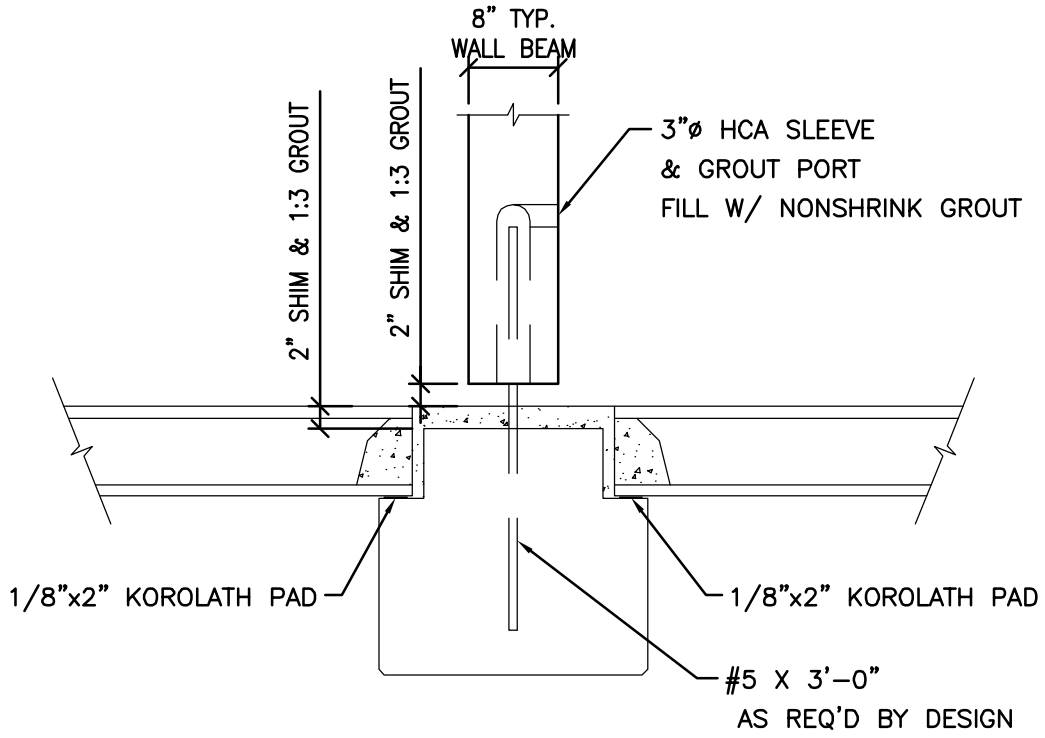
DWN.: F.R. CHK.: ENGR.:

STANDARD SYSTEMS SECTIONS & DETAILS

ISSUED DATE: October 25th 2007 DETAIL NO.:

B.6

Drawing Name: C:\Users\Friefer\AppData\Local\Microsoft\Windows\Temporary Internet Files\Content.Outlook\OPK93MRN\Sid Systems Details(Master).dwg Last Modified: Aug 13, 2009 - 9:16am Plotted on: Aug 31, 2009 - 2:03pm by friefner



WALL ON INV-T BEAM



Oldcastle Precast®
Building Systems

12-20-07	1	REVISED LOGO
DATE	REV	REVISIONS
REVISION HISTORY		
DWN.:	F.R.	CHK.:
ISSUED DATE:	October 25th 2007	ENGR.:
		DETAIL NO.:
		B.7

STANDARD SYSTEMS SECTIONS & DETAILS