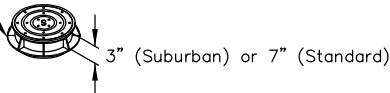


120" MANHOLE

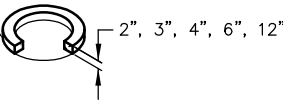
FRAME AND COVER

3" = 275 lbs.
7" = 350 lbs.



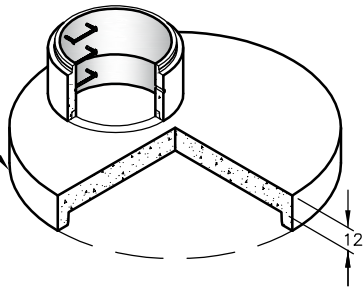
GRADE RING

2" = 80 lbs.
3" = 120 lbs.
4" = 165 lbs.
6" = 245 lbs.
12" = 490 lbs.



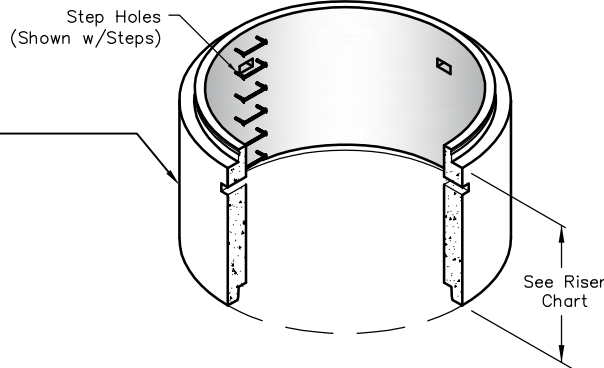
FLAT TOP

(Other Hole Sizes and Configurations Available)
17,510 lbs.



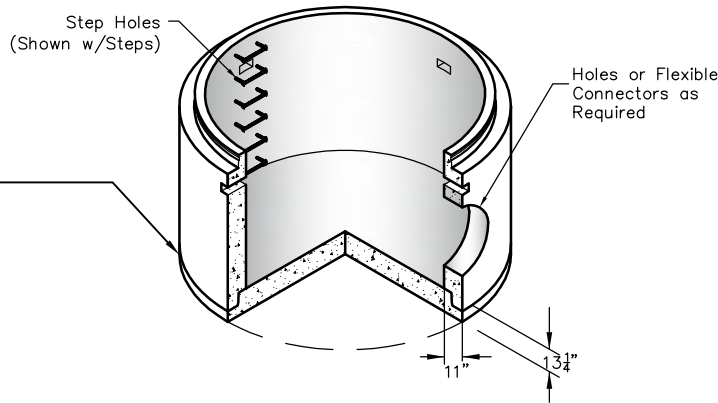
RISER

| Outside Height | Weight |
|----------------|-------------|
| 2'-0" | 9,430 lbs. |
| 3'-0" | 14,150 lbs. |
| 4'-0" | 18,860 lbs. |
| 5'-0" | 23,580 lbs. |
| 6'-0" | 28,290 lbs. |
| 7'-0" | 33,010 lbs. |
| 8'-0" | 37,730 lbs. |



BASE

| Nominal Height | Weight |
|----------------|-------------|
| 2'-0" | 26,120 lbs. |
| 3'-0" | 30,840 lbs. |
| 4'-0" | 35,550 lbs. |
| 5'-0" | 40,270 lbs. |
| 6'-0" | 44,990 lbs. |
| 7'-0" | 49,700 lbs. |
| 8'-0" | 54,420 lbs. |



- Notes:
- Manholes per Specification: ASTM C478
 - Rubber Gasket: ASTM C443
 - Holes: Cored or Cast as Required.
 - Steps: Copolymer Polypropylene Plastic w/#4 Bar in Center.
 - Frame & Cover: Gray Cast Iron ASTM A48 Class 30, Watertight/Tamperproof Cover Available.
 - Optional Extended Base Available.



PO Box 323, Wilsonville, Oregon 97070-0323
Tel: (503) 682-2844 Fax: (503) 682-2657

120" MANHOLE

File Name: 020-120MH

Issue Date: 2017

oldcastleprecast.com/wilsonville

120" MANHOLE