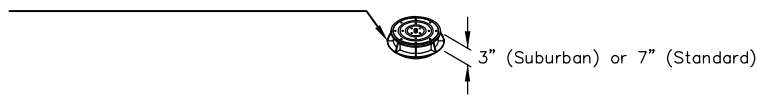


132" MANHOLE

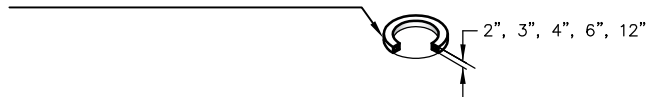
FRAME AND COVER

3" = 275 lbs.
7" = 350 lbs.



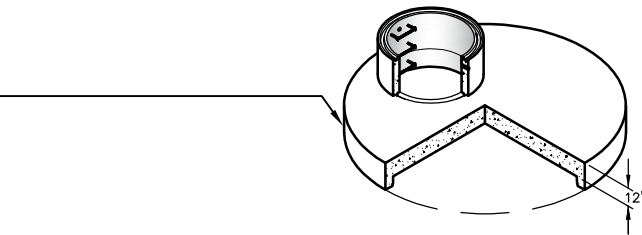
GRADE RING

2" = 80 lbs.
3" = 120 lbs.
4" = 165 lbs.
6" = 245 lbs.
12" = 490 lbs.



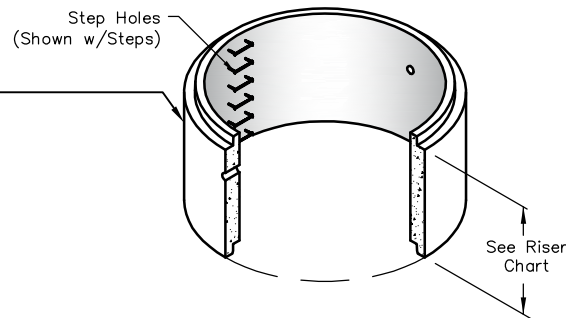
FLAT TOP

(Other Hole Sizes and Configurations Available)
20,390 lbs.



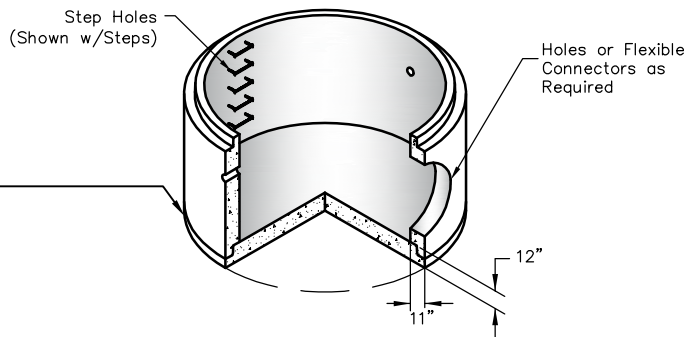
RISER

Outside Height	Weight
2'-0"	10,290 lbs.
3'-0"	15,440 lbs.
4'-0"	20,590 lbs.
5'-0"	25,740 lbs.
6'-0"	30,890 lbs.
7'-0"	36,030 lbs.
8'-0"	41,180 lbs.



BASE

Nominal Height	Weight
2'-0"	28,200 lbs.
3'-0"	33,350 lbs.
4'-0"	38,190 lbs.
5'-0"	43,640 lbs.
6'-0"	48,790 lbs.
7'-0"	53,940 lbs.
8'-0"	59,080 lbs.



Notes:

- Manholes per Specification: ASTM C478
- Rubber Gasket: ASTM C443
- Holes: Cored or Cast as Required.
- Steps: Copolymer Polypropylene Plastic w/#4 Bar in Center.
- Frame & Cover: Gray Cast Iron ASTM A48 Class 30, Watertight/Tamperproof Cover Available.
- Optional Extended Base Available.



PO Box 323, Wilsonville, Oregon 97070-0323
Tel: (503) 682-2844 Fax: (503) 682-2657

132" MANHOLE

File Name: 020-132MH

Issue Date: 2017

oldcastleprecast.com/wilsonville

132" MANHOLE