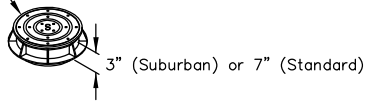


144" MANHOLE

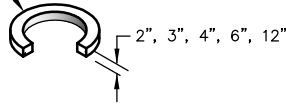
FRAME AND COVER

3" = 275 lbs.
7" = 350 lbs.



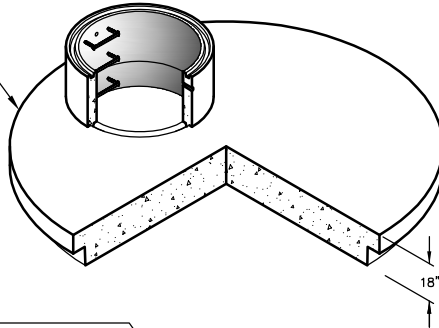
GRADE RING

2" = 80 lbs.
3" = 120 lbs.
4" = 165 lbs.
6" = 245 lbs.
12" = 490 lbs.



FLAT TOP

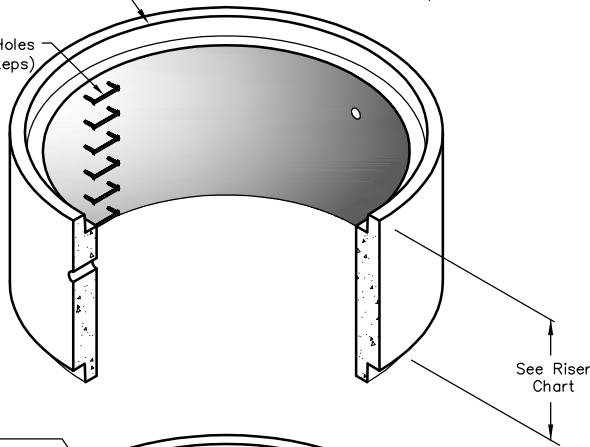
(Other Hole Sizes and Configurations Available)
32,030 lbs.



RISER

Outside Height	Weight
2'-0"	13,360 lbs.
3'-0"	20,340 lbs.
4'-0"	26,720 lbs.
5'-0"	33,400 lbs.
6'-0"	40,080 lbs.
7'-0"	46,750 lbs.
8'-0"	53,430 lbs.

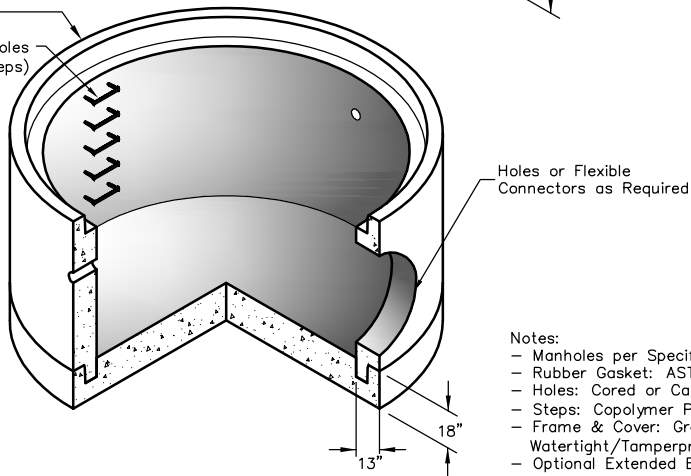
Step Holes (Shown w/Steps)



BASE

Nominal Height	Weight
2'-0"	46,490 lbs.
3'-0"	53,170 lbs.
4'-0"	59,850 lbs.
5'-0"	66,520 lbs.
6'-0"	73,200 lbs.
7'-0"	79,880 lbs.
8'-0"	86,560 lbs.

Step Holes (Shown w/Steps)



Notes:

- Manholes per Specification: ASTM C478
- Rubber Gasket: ASTM C443
- Holes: Cored or Cast as Required.
- Steps: Copolymer Polypropylene Plastic w/#4 Bar in Center.
- Frame & Cover: Gray Cast Iron ASTM A48 Class 30, Watertight/Tamperproof Cover Available.
- Optional Extended Base Available.



PO Box 323, Wilsonville, Oregon 97070-0323
Tel: (503) 682-2844 Fax: (503) 682-2657

144" MANHOLE

File Name: 020-144MH

Issue Date: 2017

oldcastleprecast.com/wilsonville

144" MANHOLE