

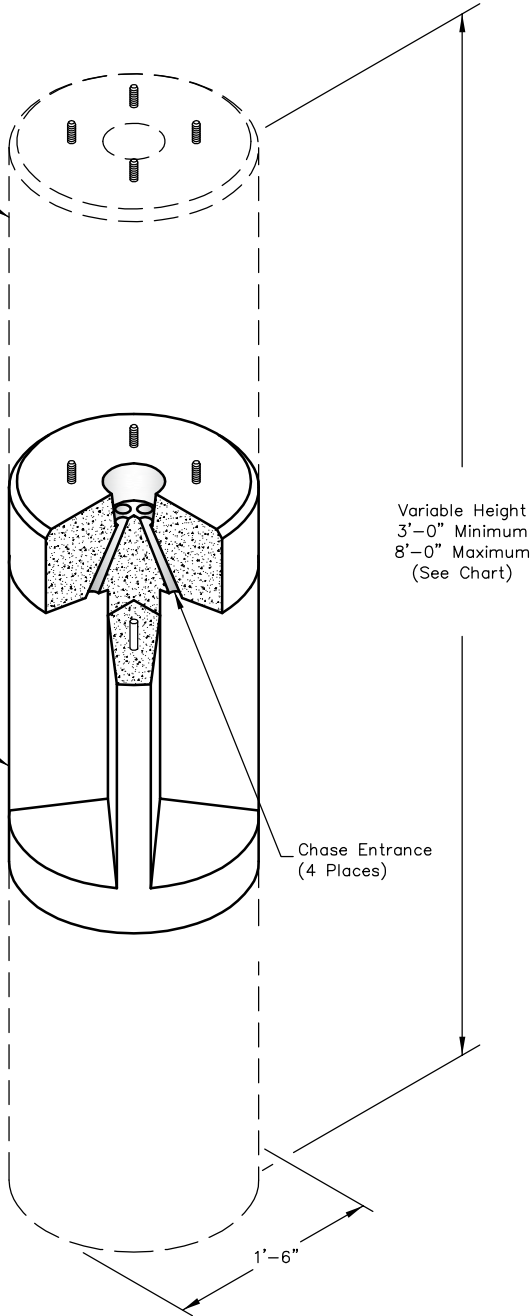
**LAMP POLE FOOTING
No. 18R-LB-P**

See Chart for Weights.

Anchor Bolt
Size and Spacing as Required
Customer to Supply
(4 Places in Top)
Minimum $\frac{3}{4}$ " Bolt Circle = 8" Dia.
Minimum 1" Bolt Circle = $8\frac{1}{2}$ " Dia.
Maximum Bolt Circle = 14" Dia.

**LAMP POLE FOOTING
No. 18R-LB-PS**


See Chart for Weights.



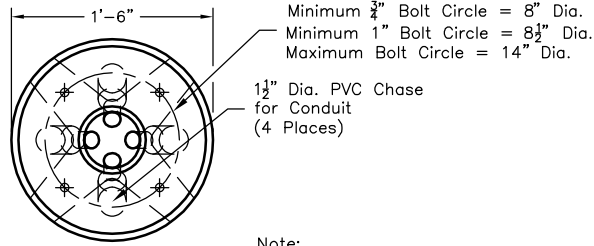
18R-LB-PS CHART		
Catalog No.	Height	Weight
18R-3-LB-PS	3'-0"	520 lbs.
18R-4-LB-PS	4'-0"	790 lbs.
18R-5-LB-PS	5'-0"	1,050 lbs.
18R-6-LB-PS	6'-0"	1,320 lbs.
18R-7-LB-PS	7'-0"	1,580 lbs.
18R-8-LB-PS	8'-0"	1,850 lbs.

18R-LB-P CHART		
Catalog No.	Height	Weight
18R-5-LB-P	5'-0"	1,040 lbs.
18R-6-LB-P	6'-0"	1,320 lbs.
18R-7-LB-P	7'-0"	1,580 lbs.
18R-8-LB-P	8'-0"	1,850 lbs.

Note:
- Customer is responsible for setting lamp pole footing.
- Footings should be selected using Structural Code and/or consultation with Professional Engineer.

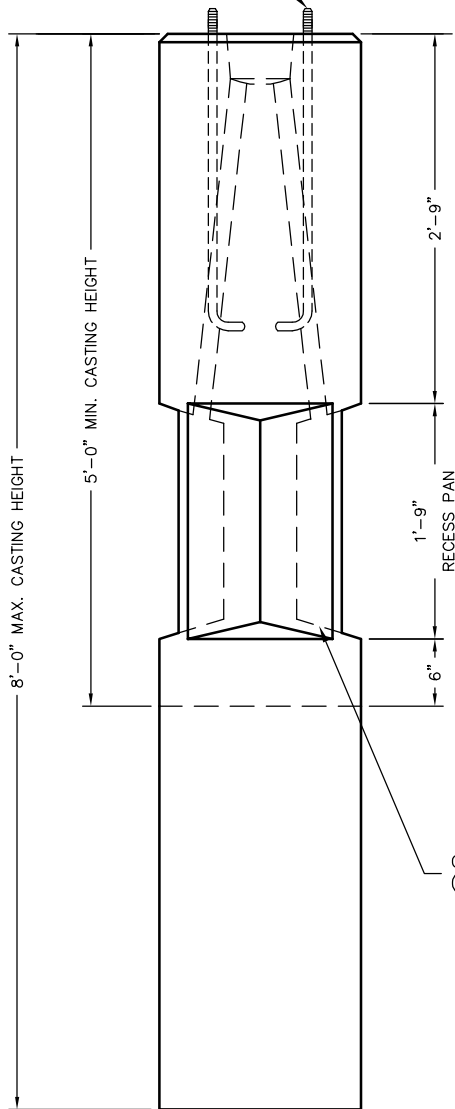
 <p>PO Box 323, Wilsonville, Oregon 97070-0323 Tel: (503) 682-2844 Fax: (503) 682-2657</p>	<h2>18R-LB</h2>	<h2>18R-LB PRECAST FOOTING FOR LAMP POLE</h2>
	File Name: 020-18RLB	
	Issue Date: 2016	
	oldcastleprecast.com/wilsonville	

18R-LB

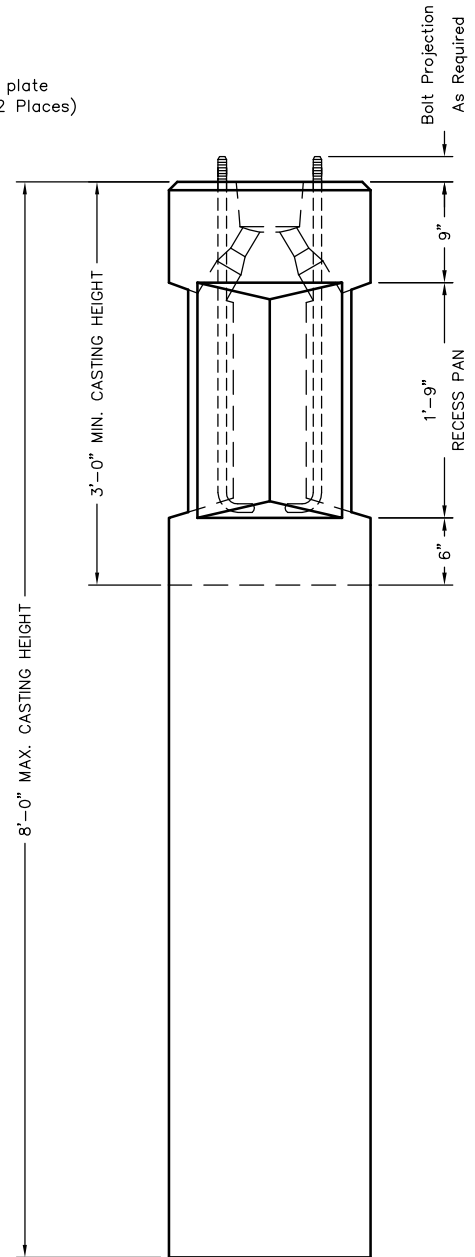


Customer to Supply Anchor Bolts

Note:
 - Lamp pole footing is set using lift plate secured to anchor bolt with nut. (2 Places)



8'-0" Base Shown
SIDE VIEW
 18R-LB-P



8'-0" Base Shown
SIDE VIEW
 18R-LB-PS



PO Box 323, Wilsonville, Oregon 97070-0323
 Tel: (503) 682-2844 Fax: (503) 682-2657

18R-LB

File Name: 020-18RLB

Issue Date: 2016

oldcastleprecast.com/wilsonville

18R-LB PRECAST FOOTING FOR LAMP POLE