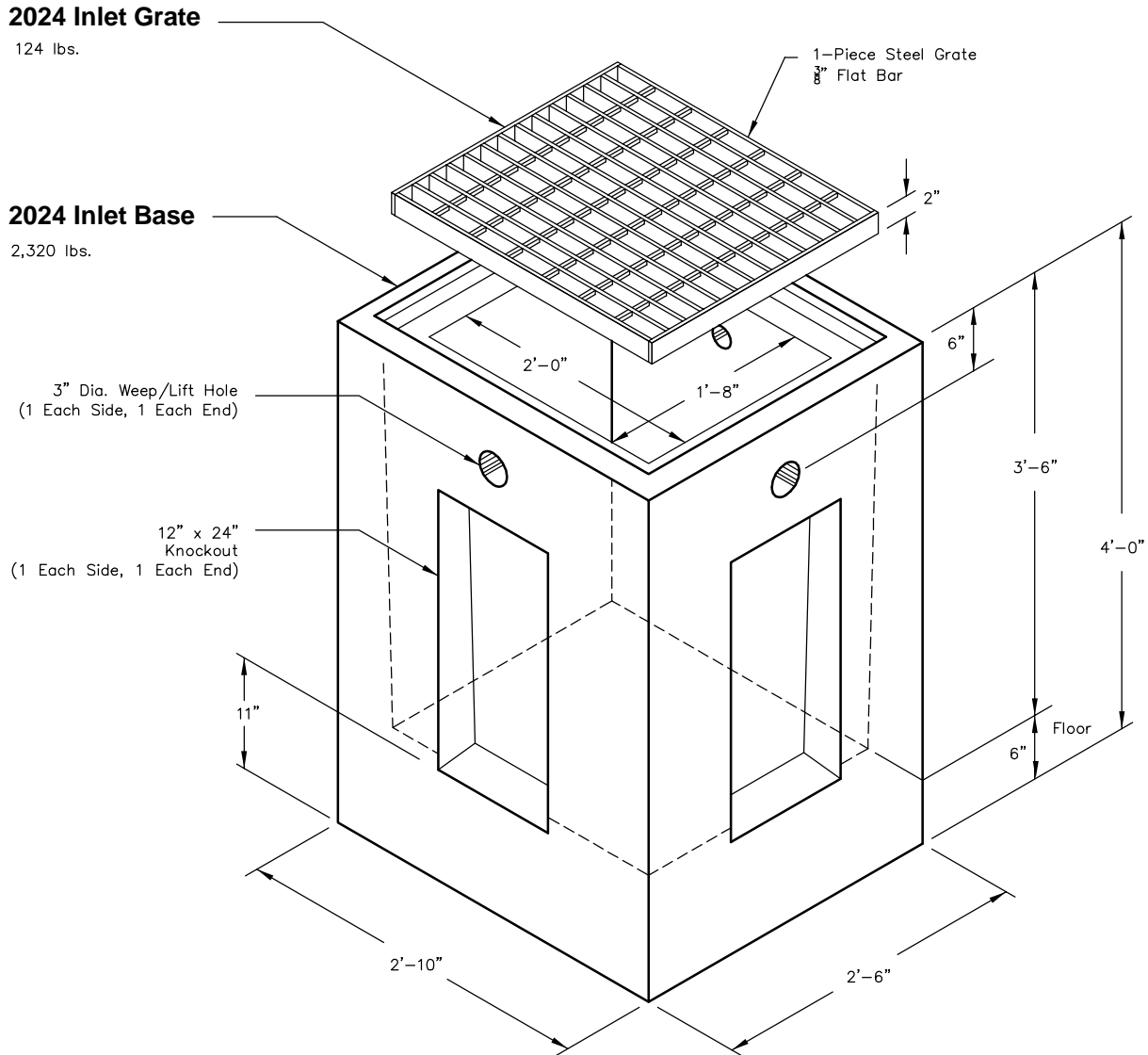


2024 INLET



NOTES:

1. INLET AVAILABLE WITHOUT KNOCKOUTS (BPA STYLE).
2. ALL DIMENSIONS SUBJECT TO ALLOWABLE SPECIFICATION TOLERANCES.



PO Box 323, Wilsonville, Oregon 97070-0323
Tel: (503) 682-2844 Fax: (503) 682-2657

2024 INLET

File Name: 020-2024-INLET

Issue Date: 2016

oldcastleprecast.com/wilsonville

2024 INLET