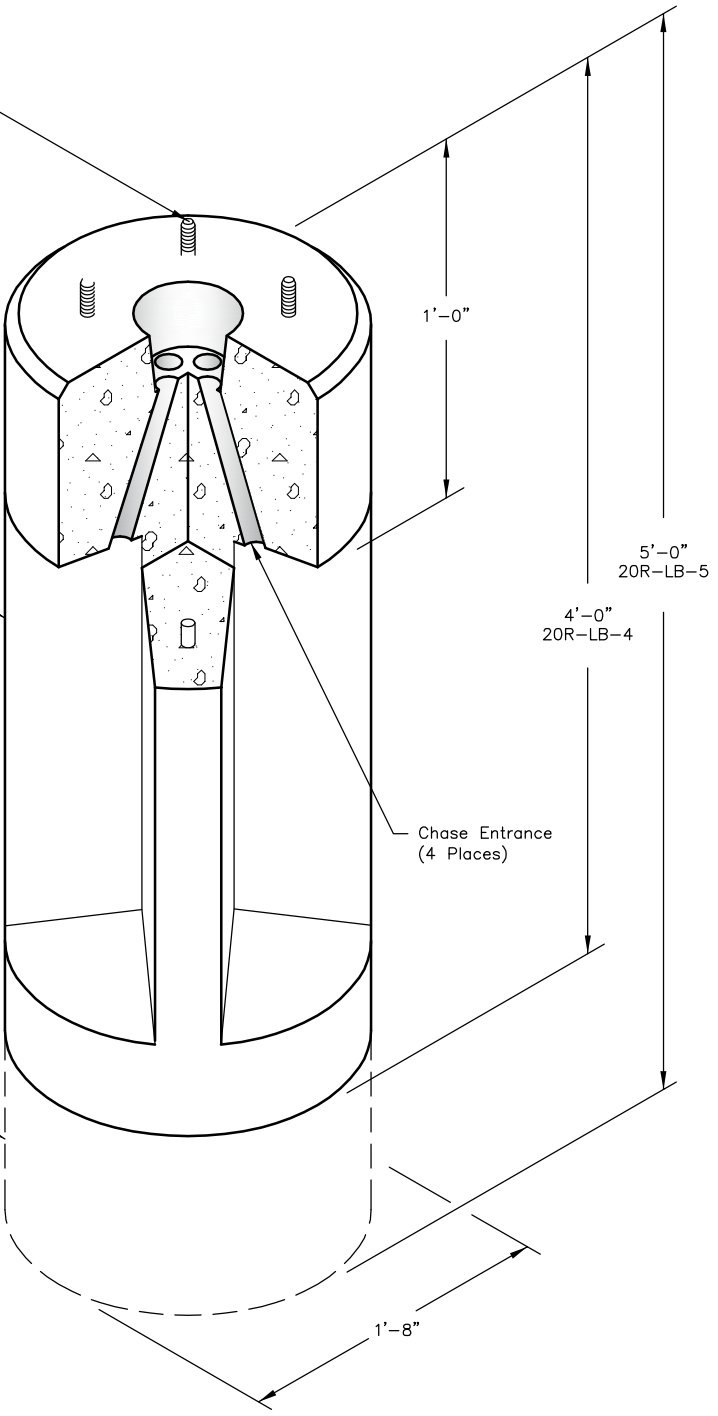


20R-LB


Anchor Bolt
 Size and Spacing as Required
 Customer to Supply
 (4 Places in Top)
 Minimum $\frac{3}{4}$ " Bolt Circle = 9" Dia.
 Minimum 1" Bolt Circle = $9\frac{1}{2}$ " Dia.
 Maximum Bolt Circle = 15" Dia.

**LAMP POLE FOOTING
 No. 20R-LB-4**
 870 lbs.

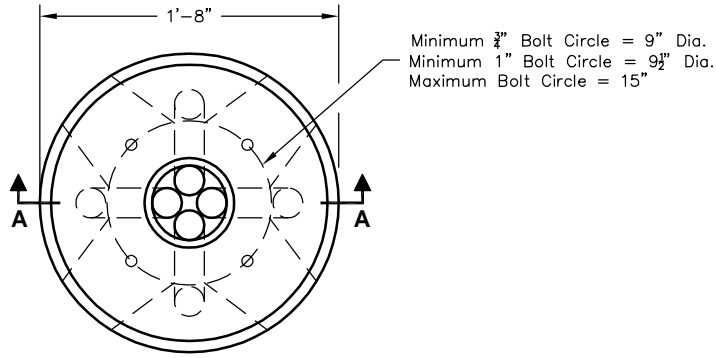
**LAMP POLE FOOTING
 No. 20R-LB-5**
 1190 lbs.



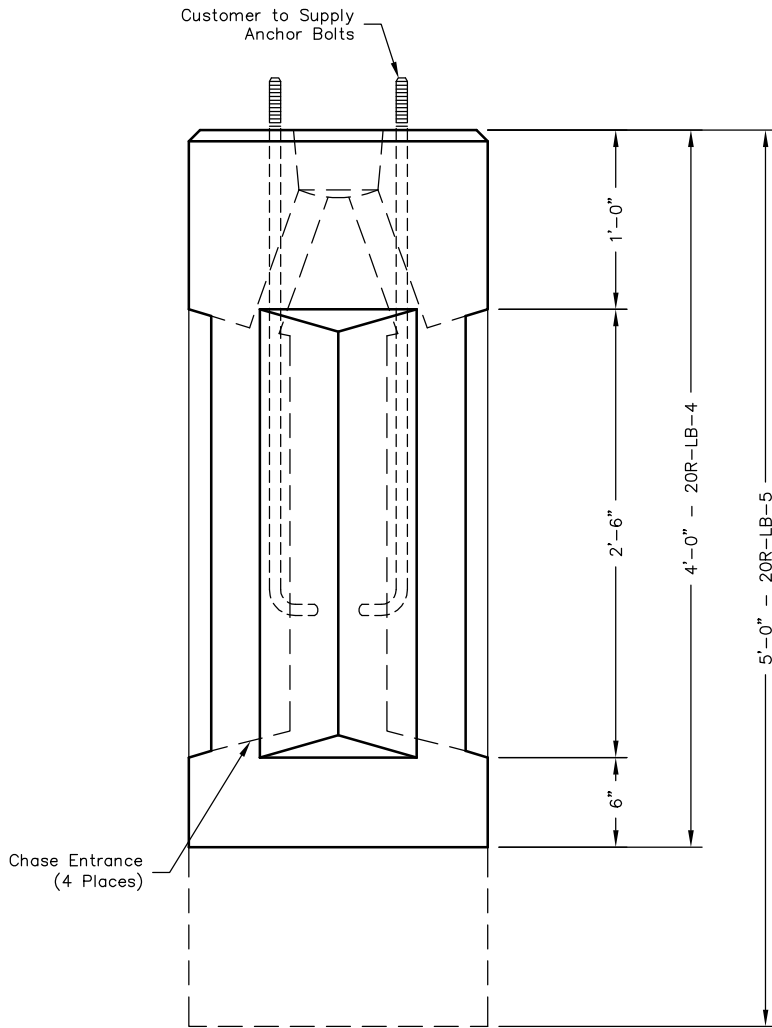
Note:
 - Customer is responsible for setting lamp pole footing.
 - Footings should be selected using Structural Code and/or consultation with Professional Engineer.

 PO Box 323, Wilsonville, Oregon 97070-0323 Tel: (503) 682-2844 Fax: (503) 682-2657	20R-LB	20R-LB PRECAST FOOTING FOR LAMP POLE
	File Name: 020-20RLB	
	Issue Date: 2016	
	oldcastleprecast.com/wilsonville	

20R-LB

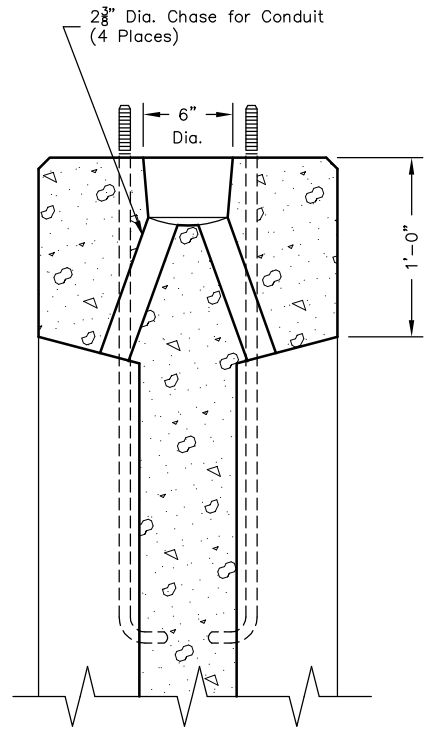


PLAN VIEW




SIDE VIEW

Note:
 - Lamp pole footing is set using lift plate secured to anchor bolt with nut. (2 Places)



SECTION AA

 Oldcastle Precast® PO Box 323, Wilsonville, Oregon 97070-0323 Tel: (503) 682-2844 Fax: (503) 682-2657	20R-LB	20R-LB PRECAST FOOTING FOR LAMP POLE
	File Name: 020-20RLB	
	Issue Date: 2016	
	oldcastleprecast.com/wilsonville	