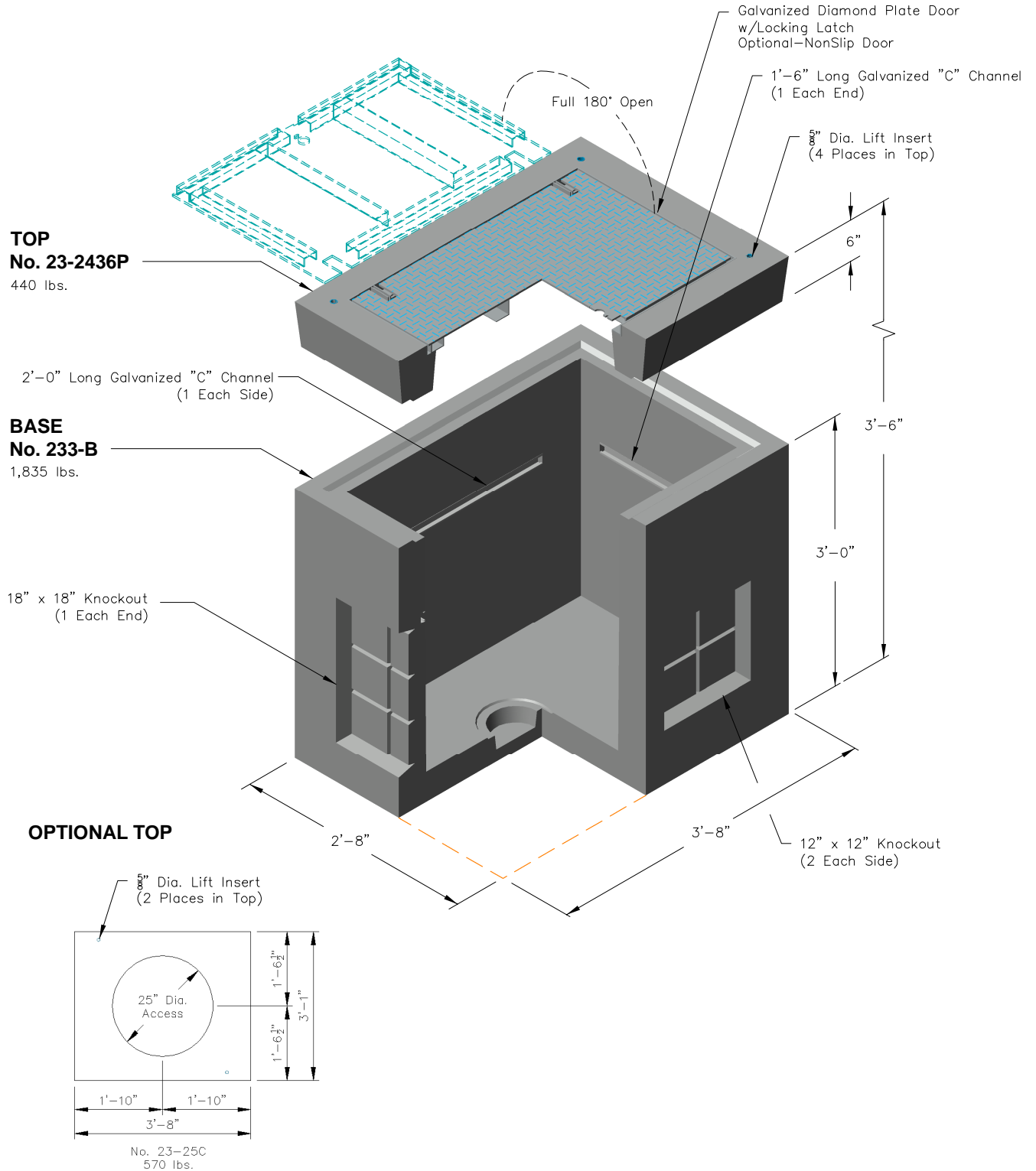



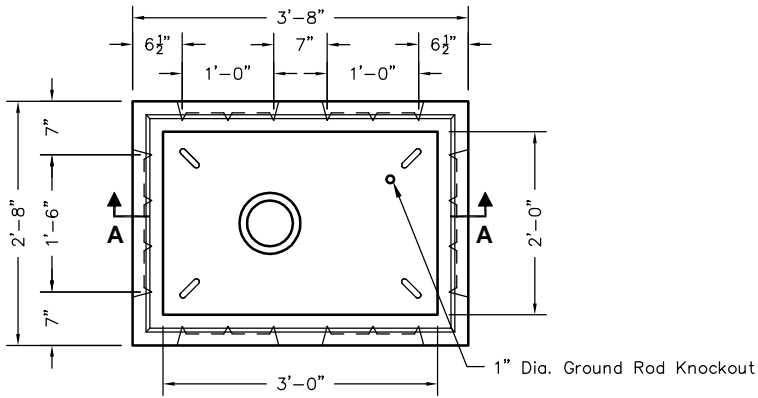
# 233-LA



Note: Designed for 0 to 5'-0" of Cover

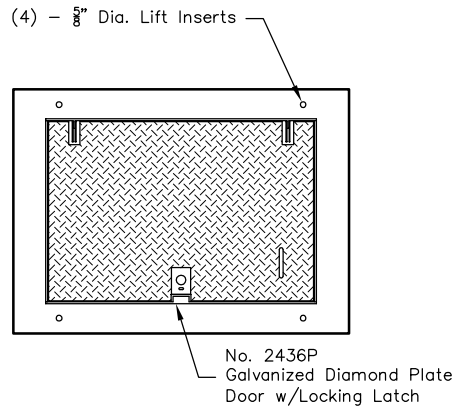
 <p>PO Box 323, Wilsonville, Oregon 97070-0323 Tel: (503) 682-2844 Fax: (503) 682-2657</p>	<b>233-LA</b>	<b>233-LA</b> <b>2 x 3</b> <b>POWER / WATER / GAS</b>
	File Name: 020-233LA	
	Issue Date: 2018	
	<a href="http://oldcastleprecast.com/wilsonville">oldcastleprecast.com/wilsonville</a>	

# 233-LA

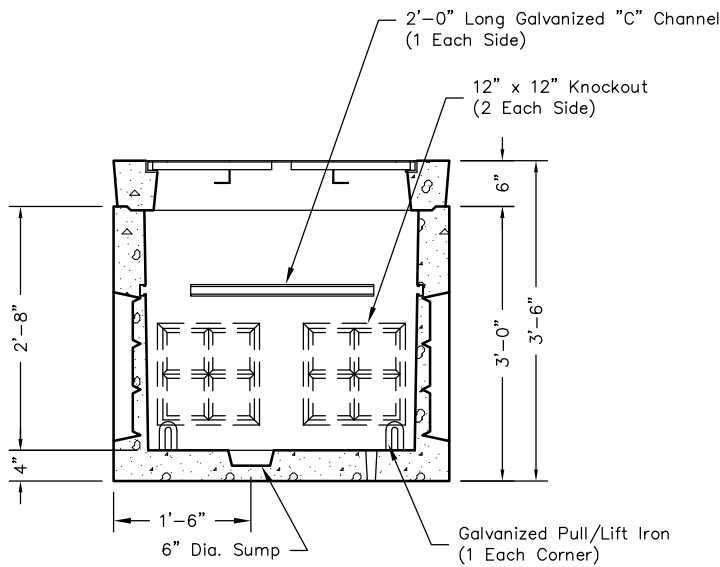


**PLAN VIEW**

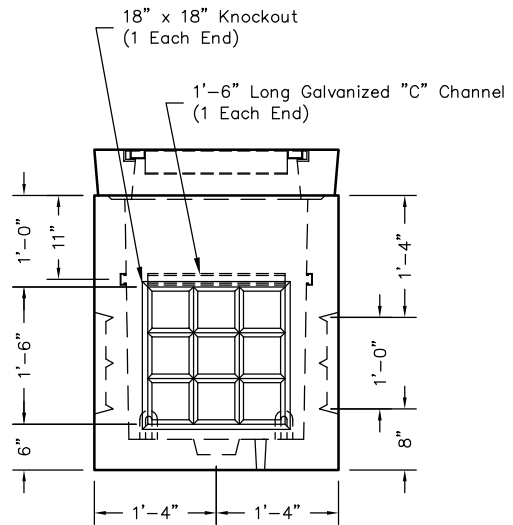
Top Not Shown, See Top Plan




**TOP PLAN**



**SECTION AA**



**END VIEW**

 <p>PO Box 323, Wilsonville, Oregon 97070-0323 Tel: (503) 682-2844 Fax: (503) 682-2657</p>	<p><b>233-LA</b></p>	<p><b>233-LA</b> <b>2 x 3</b> <b>POWER / WATER / GAS</b></p>
	File Name: 020-233LA	
	Issue Date: 2018	
	<a href="http://oldcastleprecast.com/wilsonville">oldcastleprecast.com/wilsonville</a>	