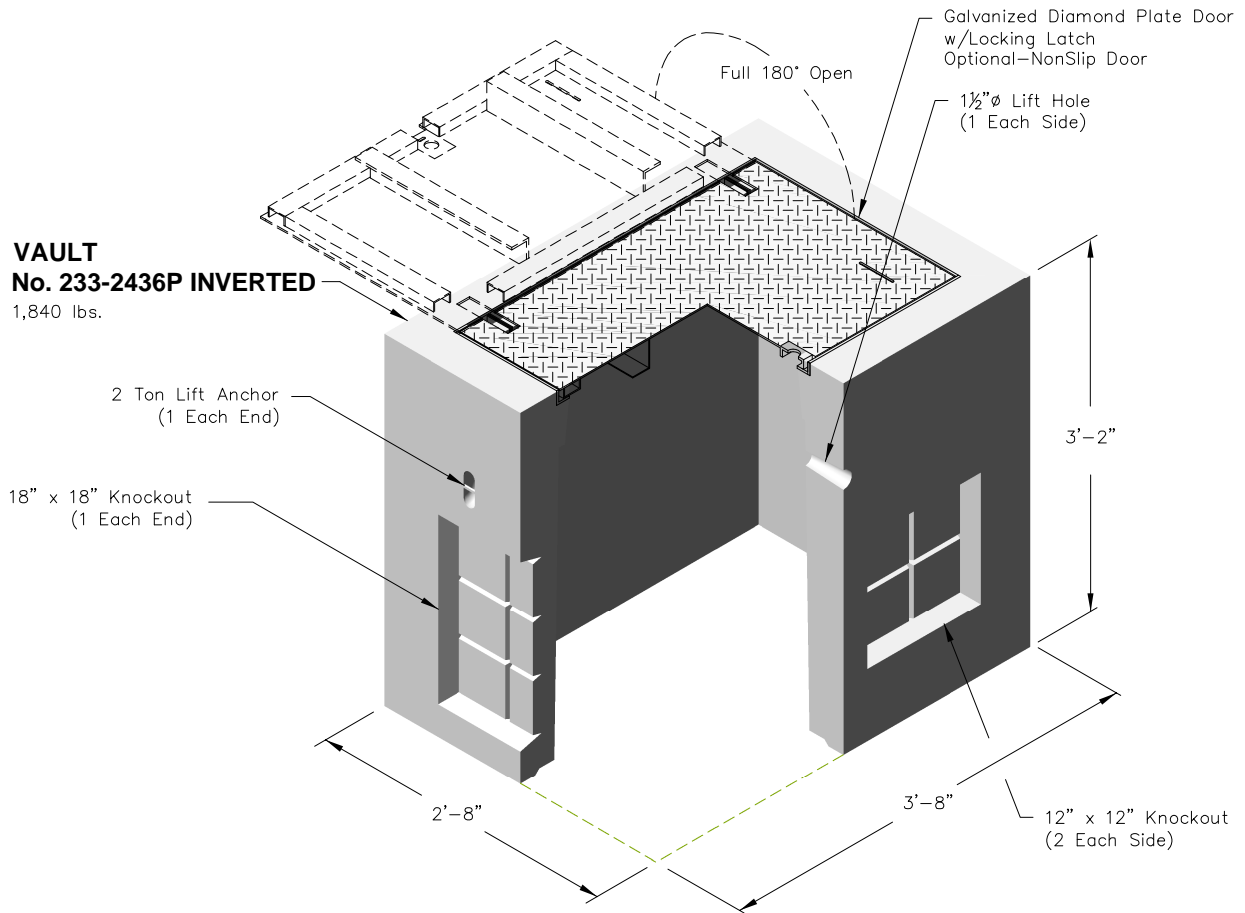


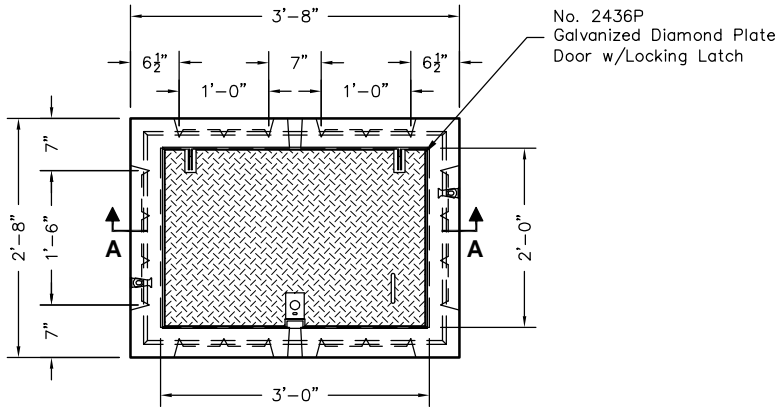
233-LA-INVERTED



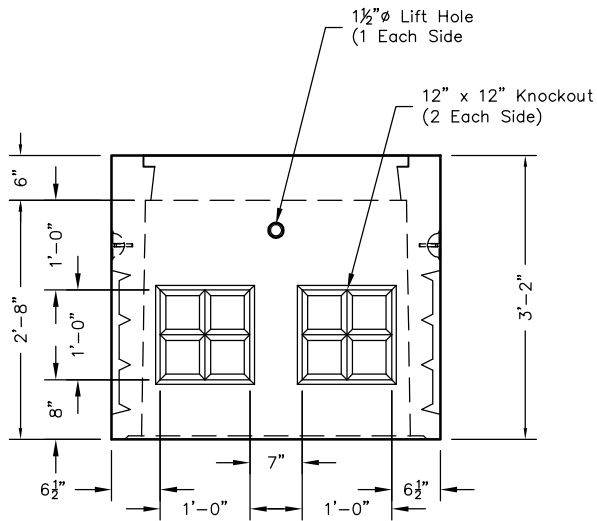
Note: Designed for 0 to 5'-0" of Cover

 PO Box 323, Wilsonville, Oregon 97070-0323 Tel: (503) 682-2844 Fax: (503) 682-2657	233-LA-INVERTED	233-LA-INVERTED 2 x 3 POWER / WATER / GAS
	File Name: 020-233LA INVERTED	
	Issue Date: 2016	
	oldcastleprecast.com/wilsonville	

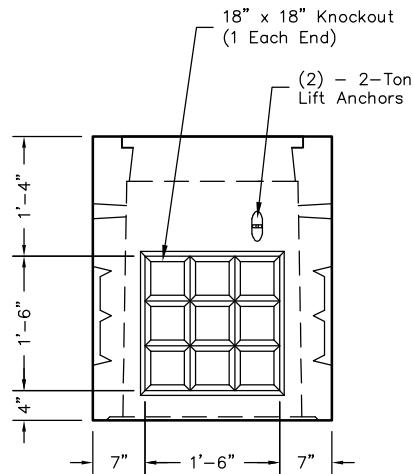
233-LA-INVERTED



PLAN VIEW



SIDE VIEW



END VIEW



PO Box 323, Wilsonville, Oregon 97070-0323
Tel: (503) 682-2844 Fax: (503) 682-2657

233-LA-INVERTED

File Name: 020-233LA INVERTED

Issue Date: 2016

oldcastleprecast.com/wilsonville

233-LA-INVERTED

2 x 3

POWER / WATER / GAS