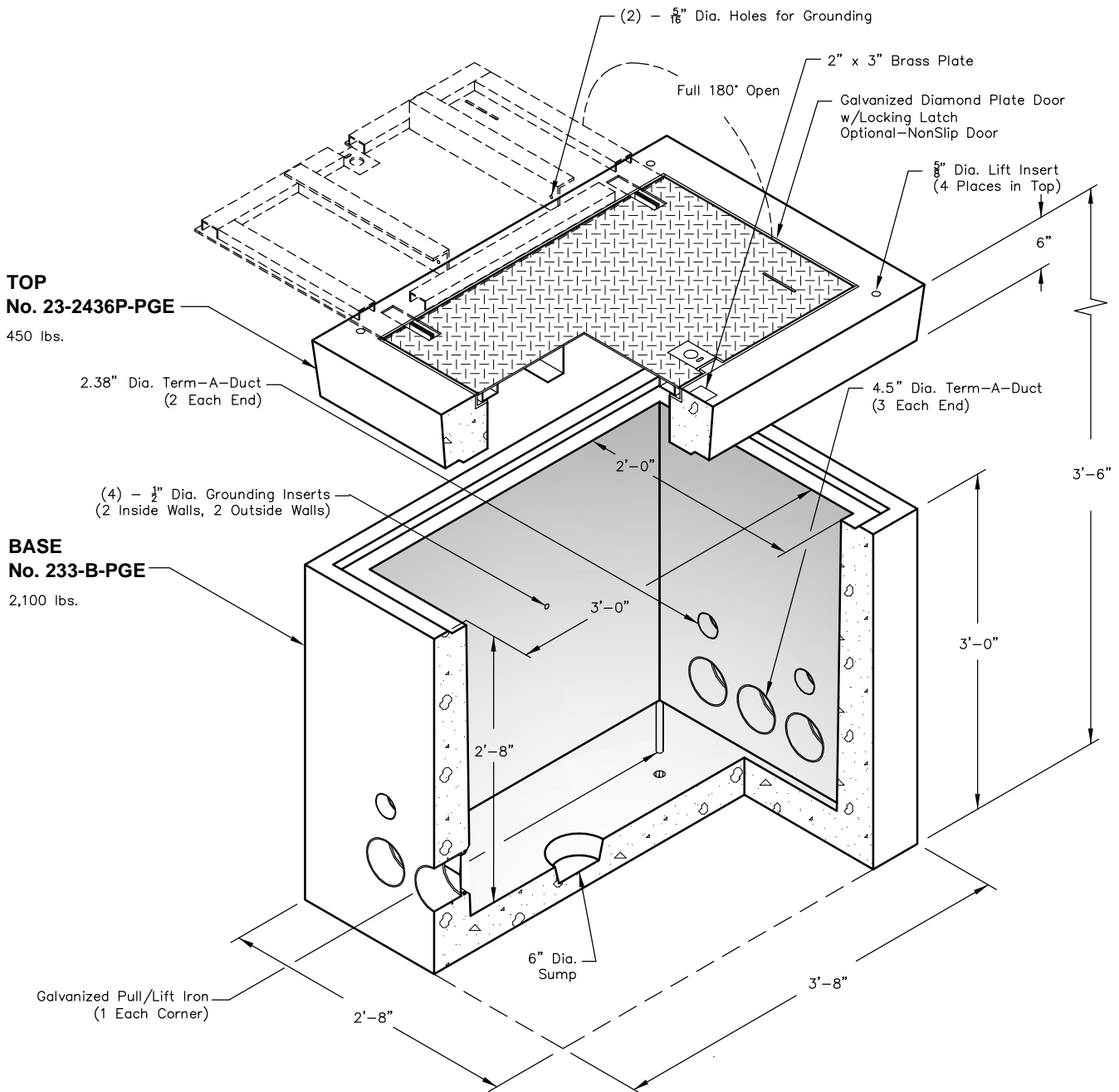



233-PGE

Secondary Cable Vault

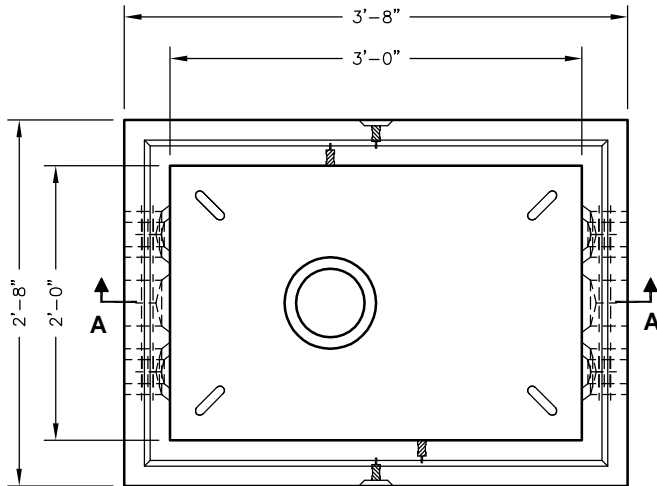


Note: Designed for 0 to 5'-0" of Cover

PGE L26100 1-5-12

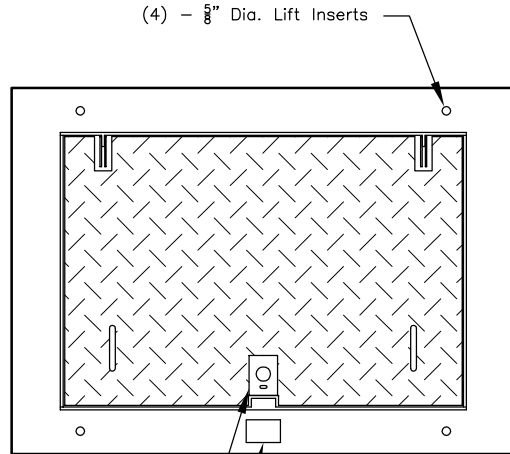
 PO Box 323, Wilsonville, Oregon 97070-0323 Tel: (503) 682-2844 Fax: (503) 682-2657	233-PGE	233-PGE 32 x 44 x 42
	File Name: 020-233PGE	
	Issue Date: 2018	
	oldcastleprecast.com/wilsonville	

233-PGE



PLAN VIEW

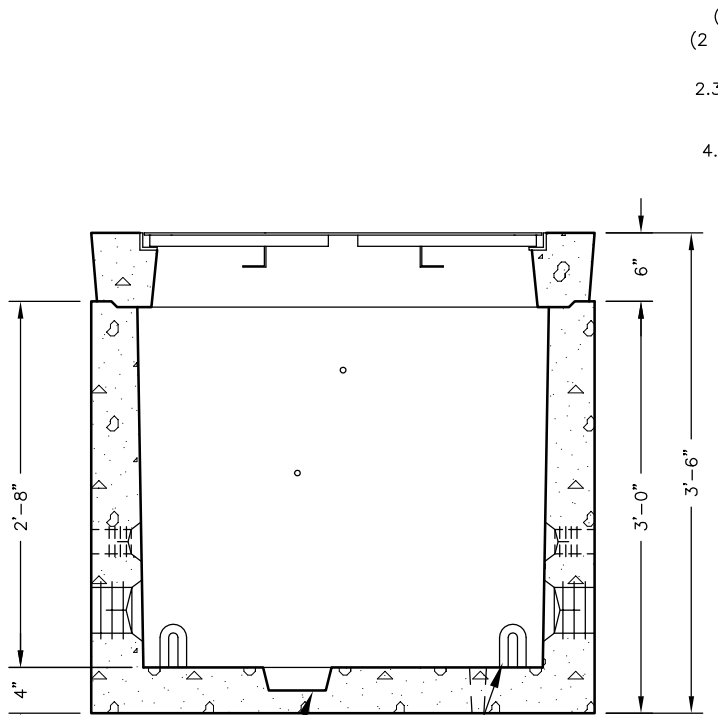
Top Not Shown, See Top Plan



(4) - $\frac{5}{8}$ " Dia. Lift Inserts

No. 2436P
Galvanized Diamond Plate
Door w/Locking Latch

TOP PLAN



SECTION AA

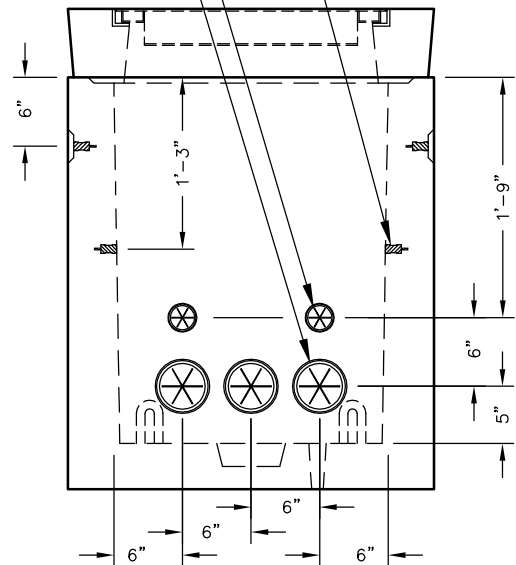
6" Dia. Sump

Galvanized Pull/Lift Iron
(1 Each Corner)

(4) - $\frac{1}{2}$ " Dia. Grounding Inserts
(2 Inside Walls, 2 Outside Walls)

2.38" Dia. Term-A-Duct
(2 Each End)

4.5" Dia. Term-A-Duct
(3 Each End)



END VIEW

PGE L26100 1-5-12



PO Box 323, Wilsonville, Oregon 97070-0323
Tel: (503) 682-2844 Fax: (503) 682-2657

233-PGE

File Name: 020-233PGE

Issue Date: 2018

oldcastleprecast.com/wilsonville

233-PGE
32 x 44 x 42