

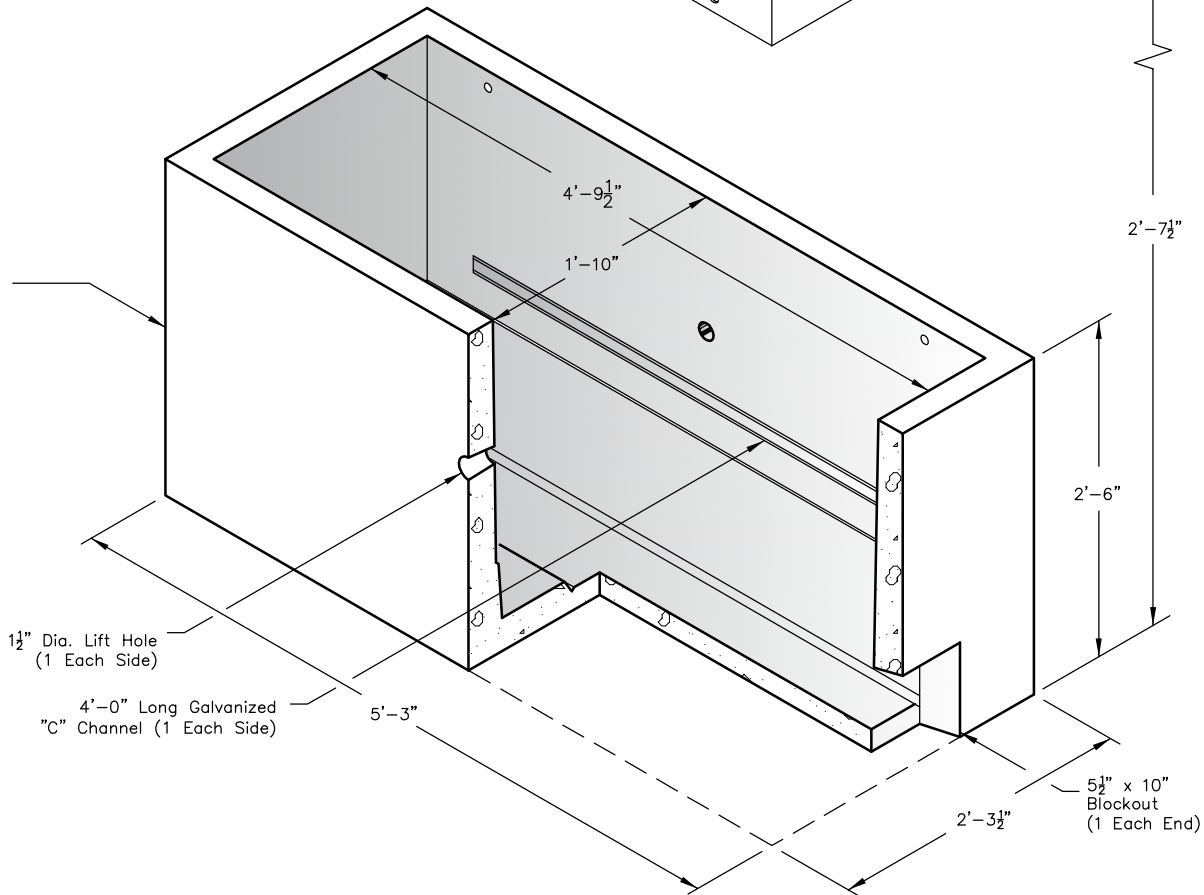
**COVER with
ADJUSTABLE FRAME
No. 25P ASSEMBLY**

229 lbs.


Suitable for use in off-street locations where not subjected to high density traffic.

**BASE
No. 25-BT**

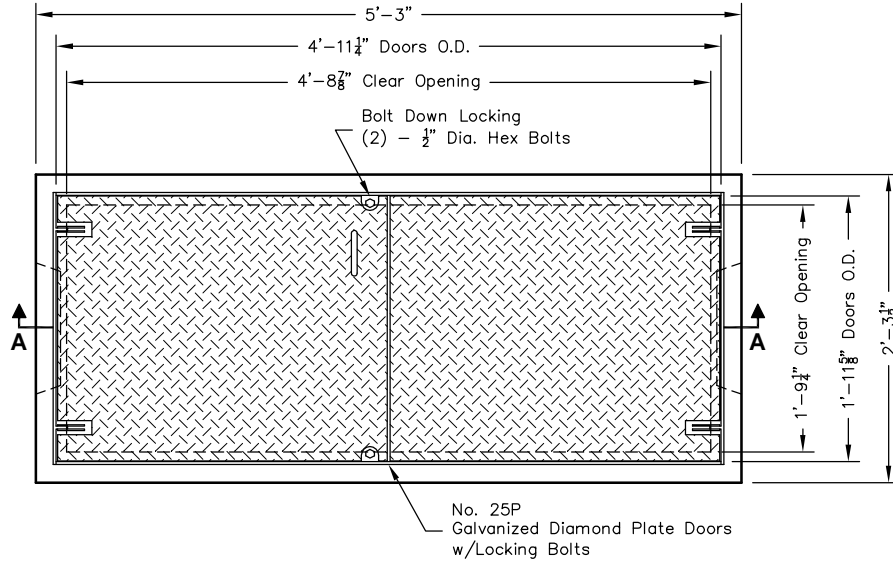
1,930 lbs.



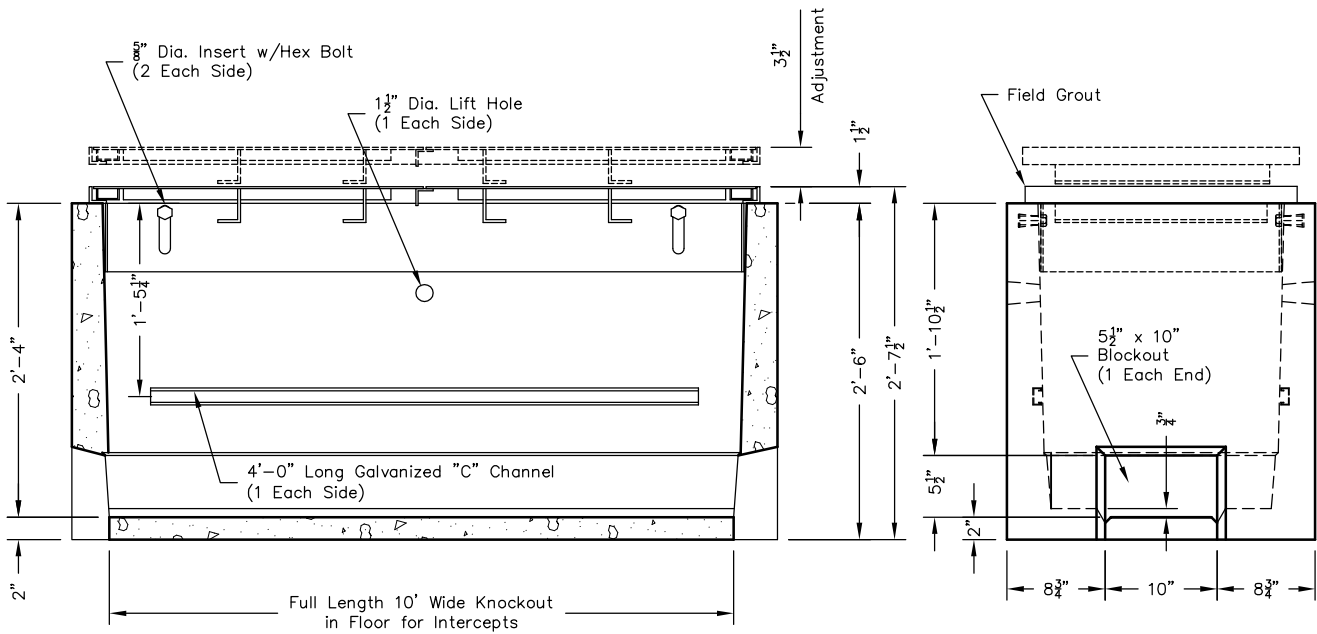
Note: Designed for 0 to 5'-0" of Cover

| | | |
|--|--|--|
|  <p>Oldcastle Precast®</p> <p>PO Box 323, Wilsonville, Oregon 97070-0323 Tel: (503) 682-2844 Fax: (503) 682-2657</p> | <p>25-TA</p> | <p>25-TA 2 x 5 x 2 COMMUNICATIONS</p> |
| | File Name: 020-25TA | |
| | Issue Date: 2016 | |
| | oldcastleprecast.com/wilsonville | |

25-TA




PLAN VIEW



SECTION AA

END VIEW

| | | |
|---|--|---|
|  <p>PO Box 323, Wilsonville, Oregon 97070-0323 Tel: (503) 682-2844 Fax: (503) 682-2657</p> | 25-TA | 25-TA 2 x 5 x 2 COMMUNICATIONS |
| | File Name: 020-25TA | |
| | Issue Date: 2016 | |
| | oldcastleprecast.com/wilsonville | |