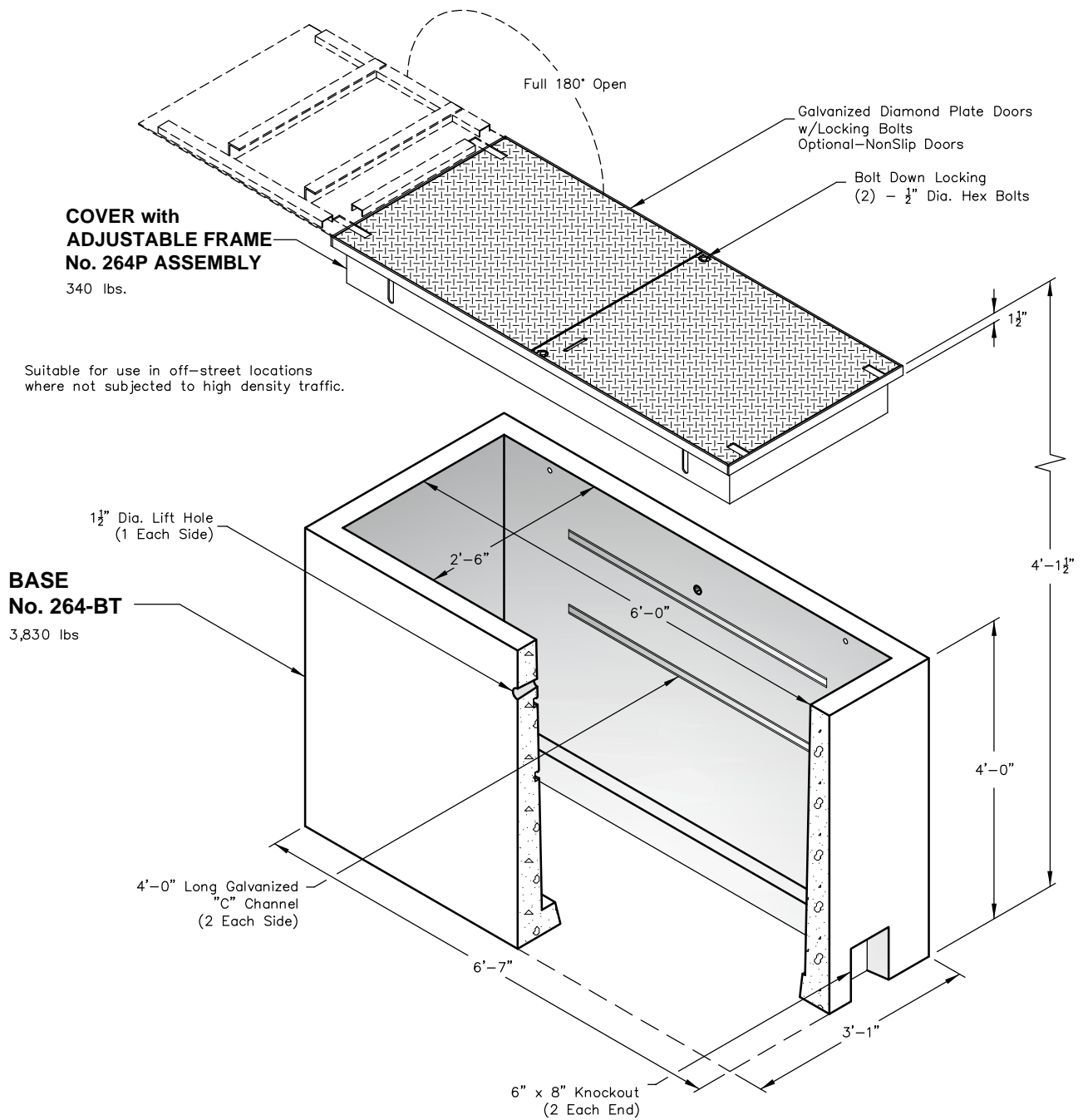



264-TA

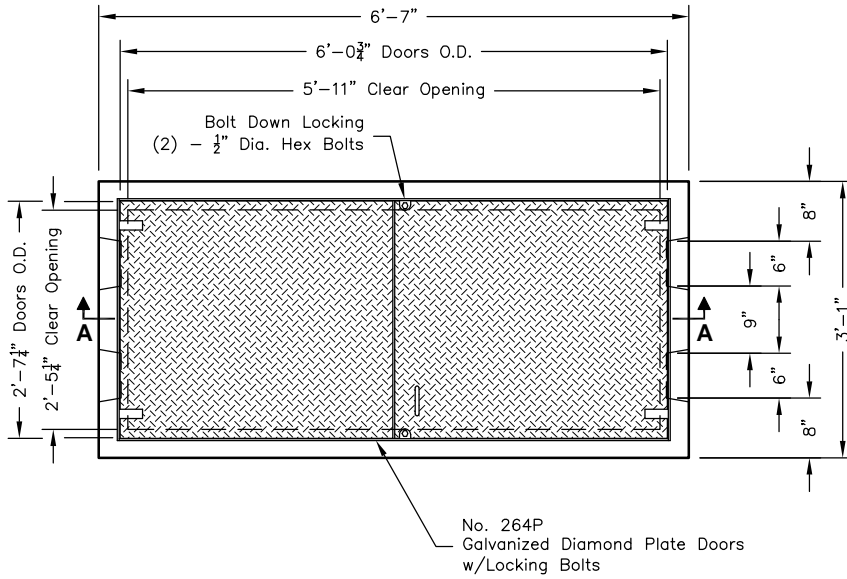


OPTIONAL
- Solid Floor Available

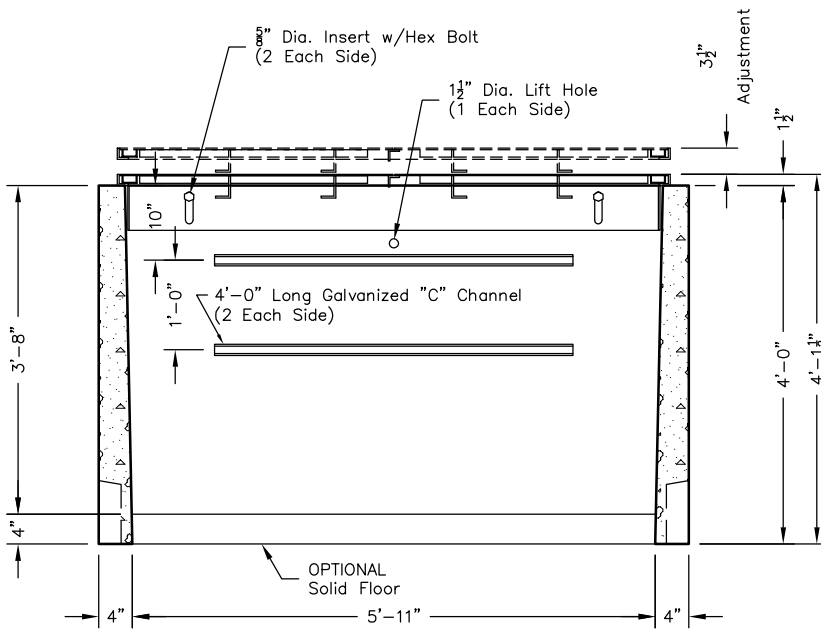
Note: Designed for 0 to 5'-0" of Cover

 Oldcastle Precast® PO Box 323, Wilsonville, Oregon 97070-0323 Tel: (503) 682-2844 Fax: (503) 682-2657	264-TA	264-TA 2 x 6 x 4 COMMUNICATIONS
	File Name: 020-264TA	
	Issue Date: 2016	
	oldcastleprecast.com/wilsonville	

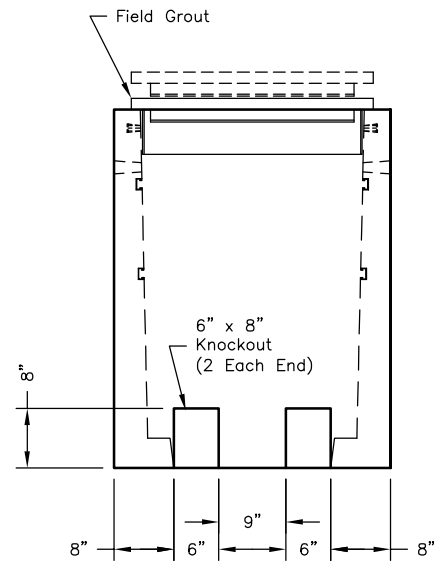
264-TA



PLAN VIEW



SECTION AA



END VIEW



PO Box 323, Wilsonville, Oregon 97070-0323
Tel: (503) 682-2844 Fax: (503) 682-2657

264-TA

File Name: 020-264TA

Issue Date: 2016

oldcastleprecast.com/wilsonville

264-TA 2 x 6 x 4 COMMUNICATIONS