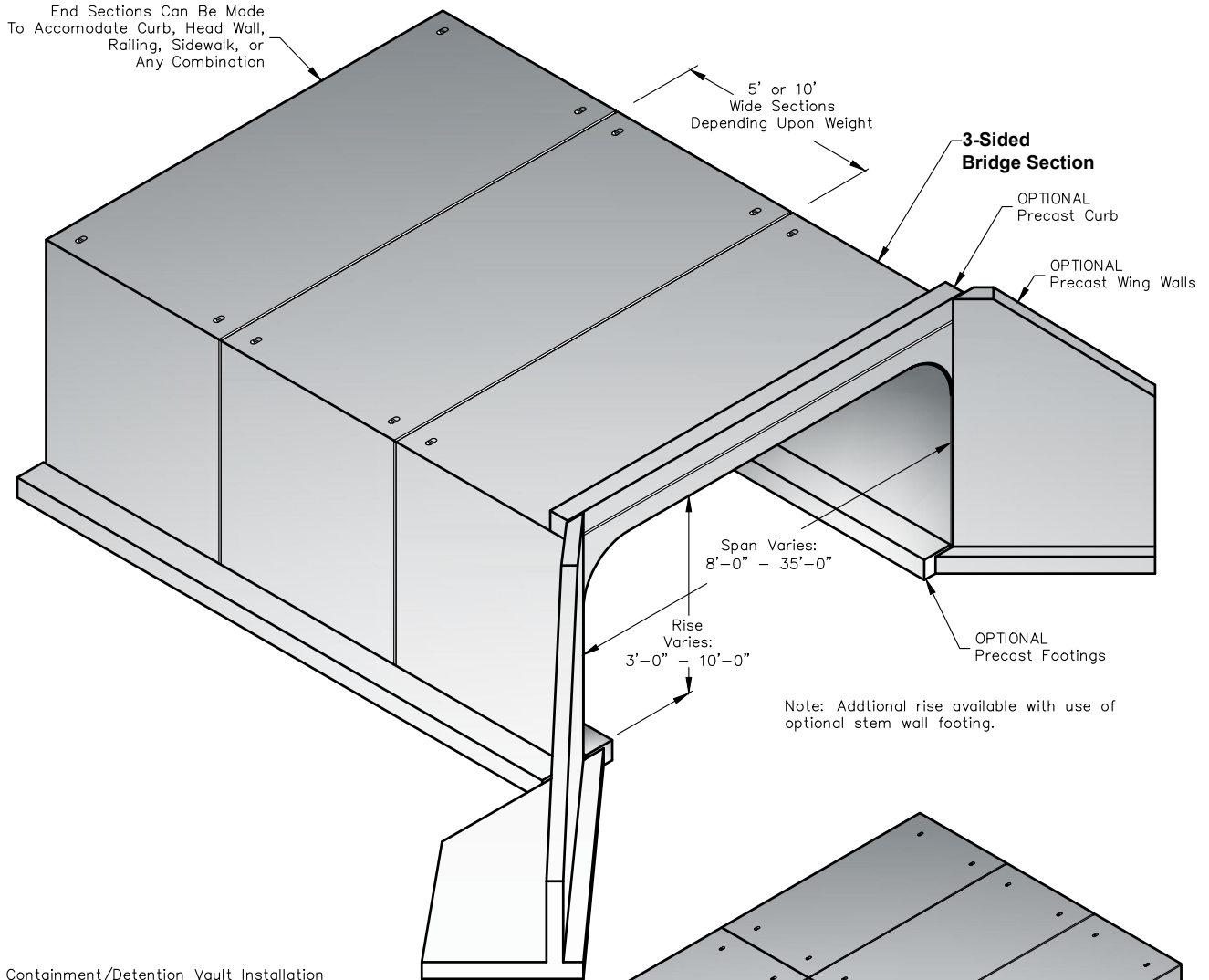
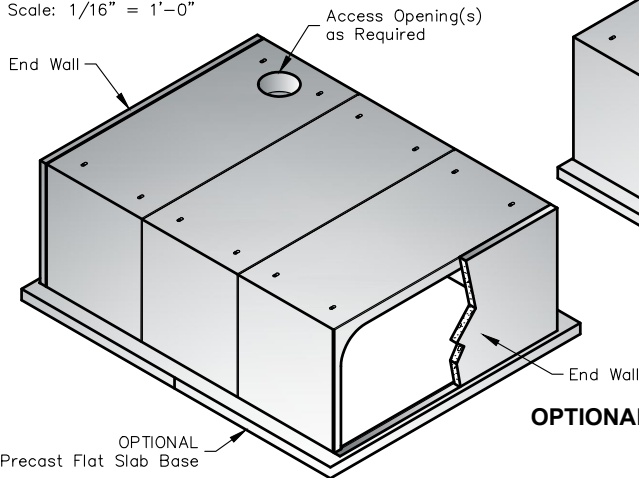


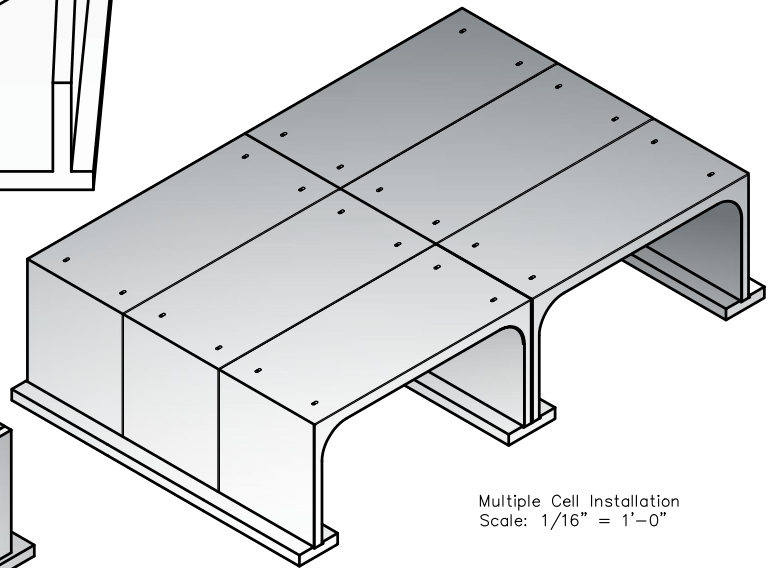
3-SIDED BRIDGE



Containment/Detention Vault Installation
(See Manholes & Drainage, Detention Vault)
Scale: 1/16" = 1'-0"



OPTIONAL INSTALLATIONS



PO Box 323, Wilsonville, Oregon 97070-0323
Tel: (503) 682-2844 Fax: (503) 682-2657

3-SIDED BRIDGE

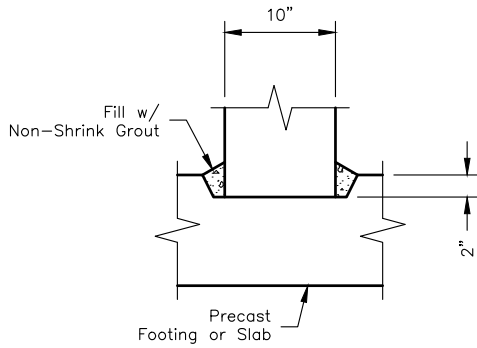
File Name: 020-3-SIDED BRIDGE

Issue Date: 2016

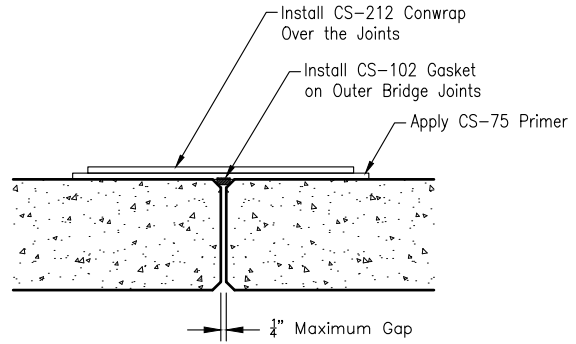
oldcastleprecast.com/wilsonville

3-SIDED BRIDGE

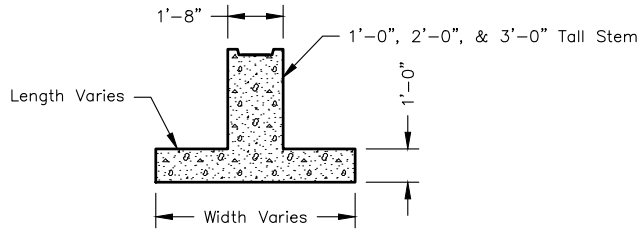
3-SIDED BRIDGE



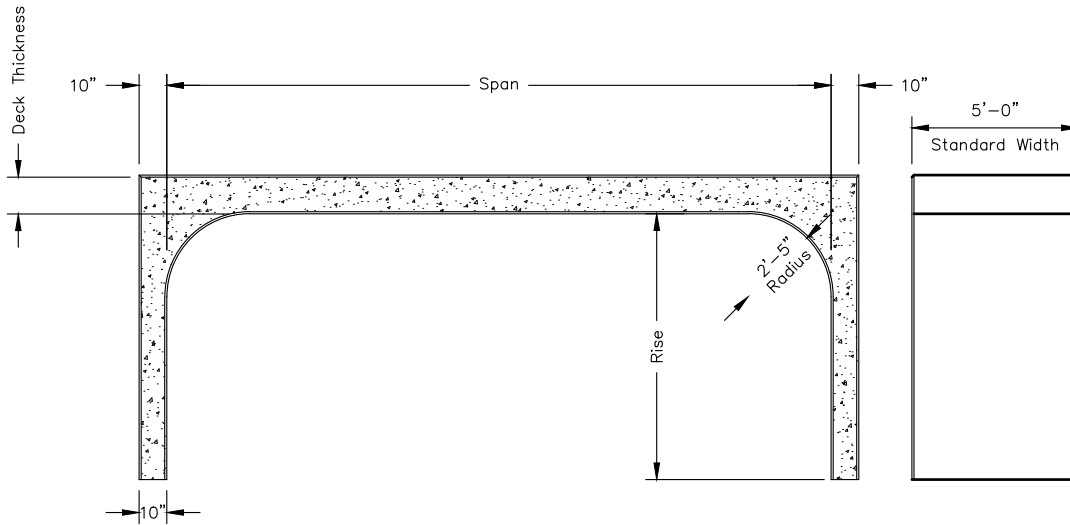
Grout Detail - Bridge to Footing



Joint Detail



Optional Stem Wall Footing Detail



Bridge Section

Side



PO Box 323, Wilsonville, Oregon 97070-0323
 Tel: (503) 682-2844 Fax: (503) 682-2657

3-SIDED BRIDGE

File Name: 020-3-SIDED BRIDGE

Issue Date: 2016

oldcastleprecast.com/wilsonville

3-SIDED BRIDGE