
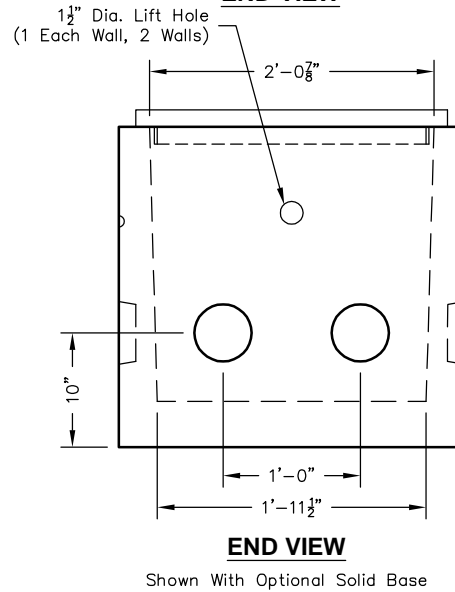
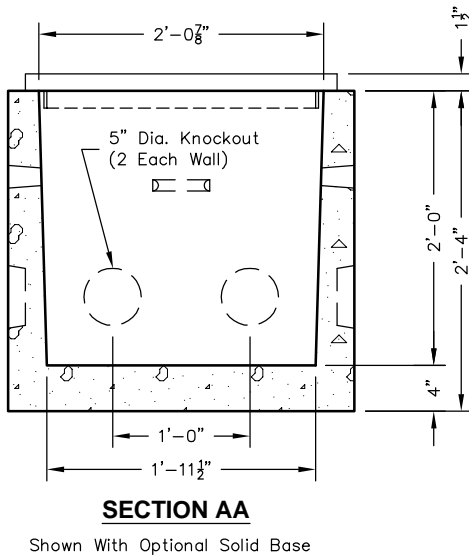
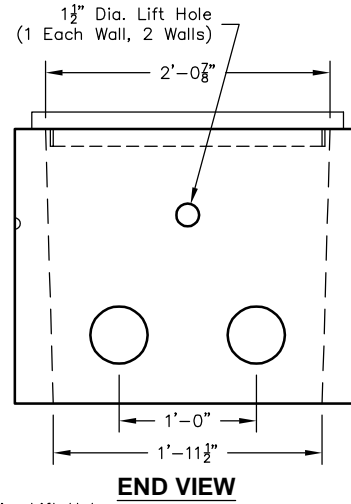
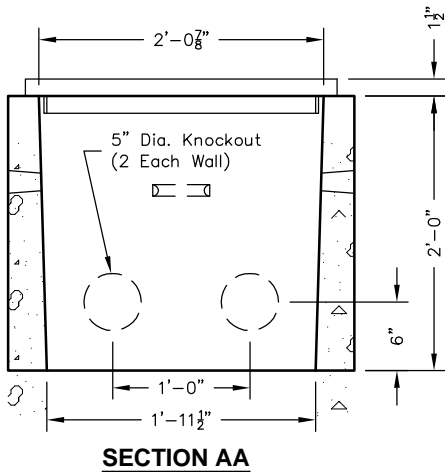
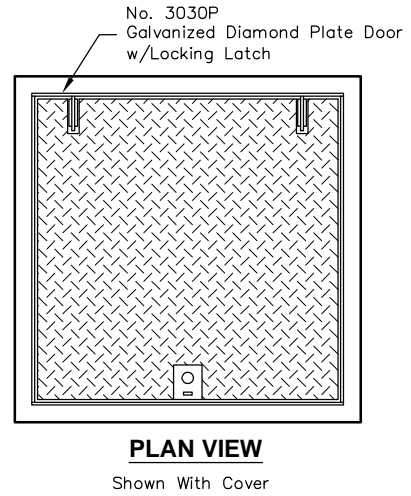
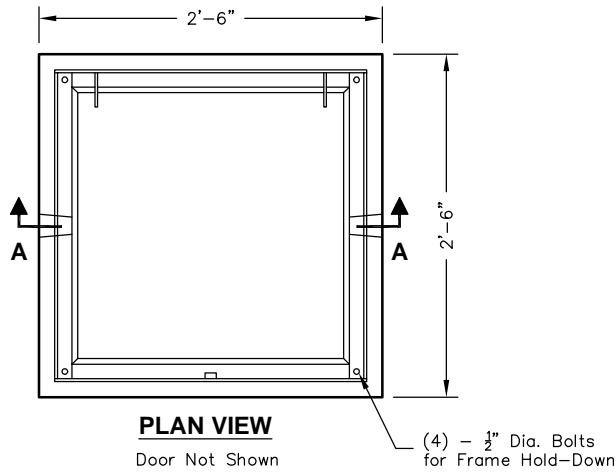



Note: Designed for 0 to 5'-0" of Cover

 PO Box 323, Wilsonville, Oregon 97070-0323 Tel: (503) 682-2844 Fax: (503) 682-2657	<b>3030-LA</b>	<b>3030-LA</b> <b>2 x 2</b> <b>POWER / WATER / GAS</b>
	File Name: 020-3030LA	
	Issue Date: 2016	
	<a href="http://oldcastleprecast.com/wilsonville">oldcastleprecast.com/wilsonville</a>	

# 3030-LA



 <p>PO Box 323, Wilsonville, Oregon 97070-0323 Tel: (503) 682-2844 Fax: (503) 682-2657</p>	<h2>3030-LA</h2>	<h2>3030-LA</h2> <h3>2 x 2</h3> <h1>POWER / WATER / GAS</h1>
	File Name: 020-3030LA	
	Issue Date: 2016	
	<a href="http://oldcastleprecast.com/wilsonville">oldcastleprecast.com/wilsonville</a>	