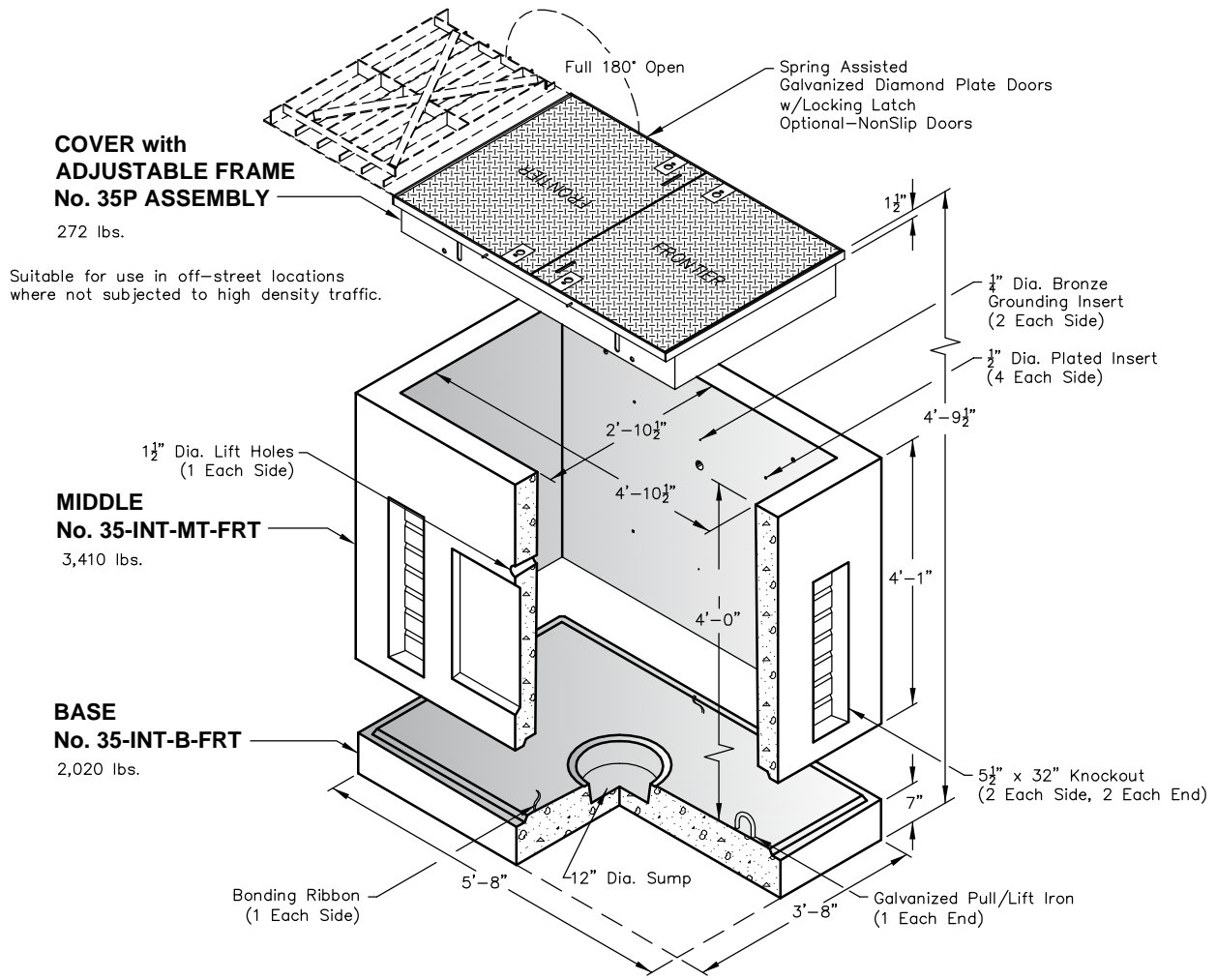
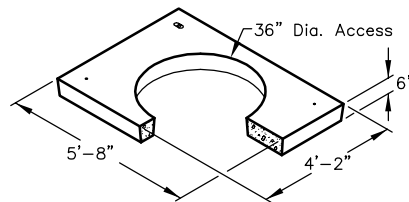


FRONTIER 3 x 5 INTERCEPT




OPTIONAL TOP



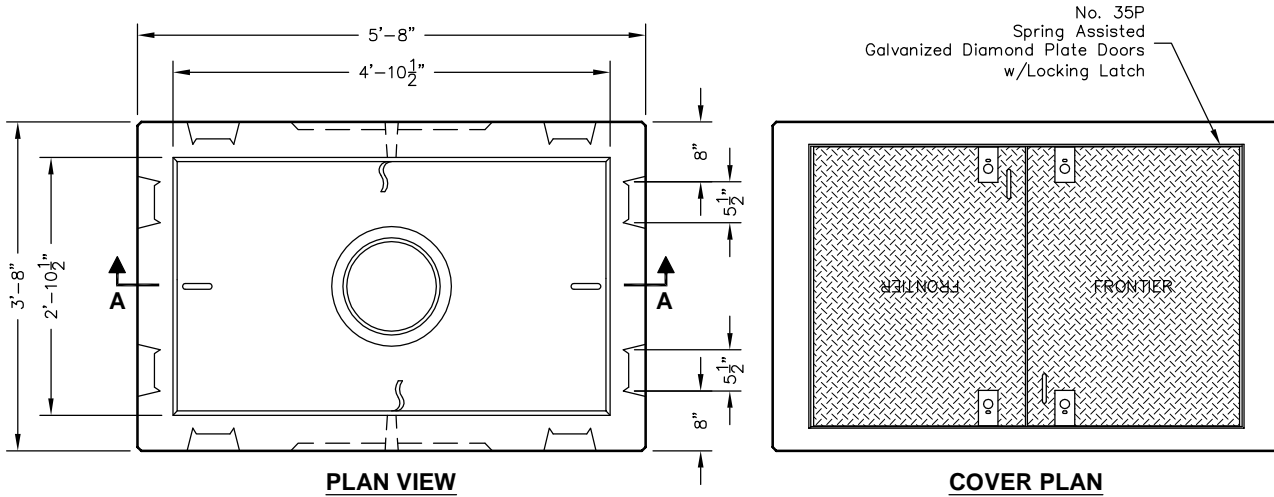
TOP SECTION (HEAVY TRAFFIC AREAS)
No. 35-T-36C-FRT
1,290 lbs.

Note:
- Frontier racking not shown.

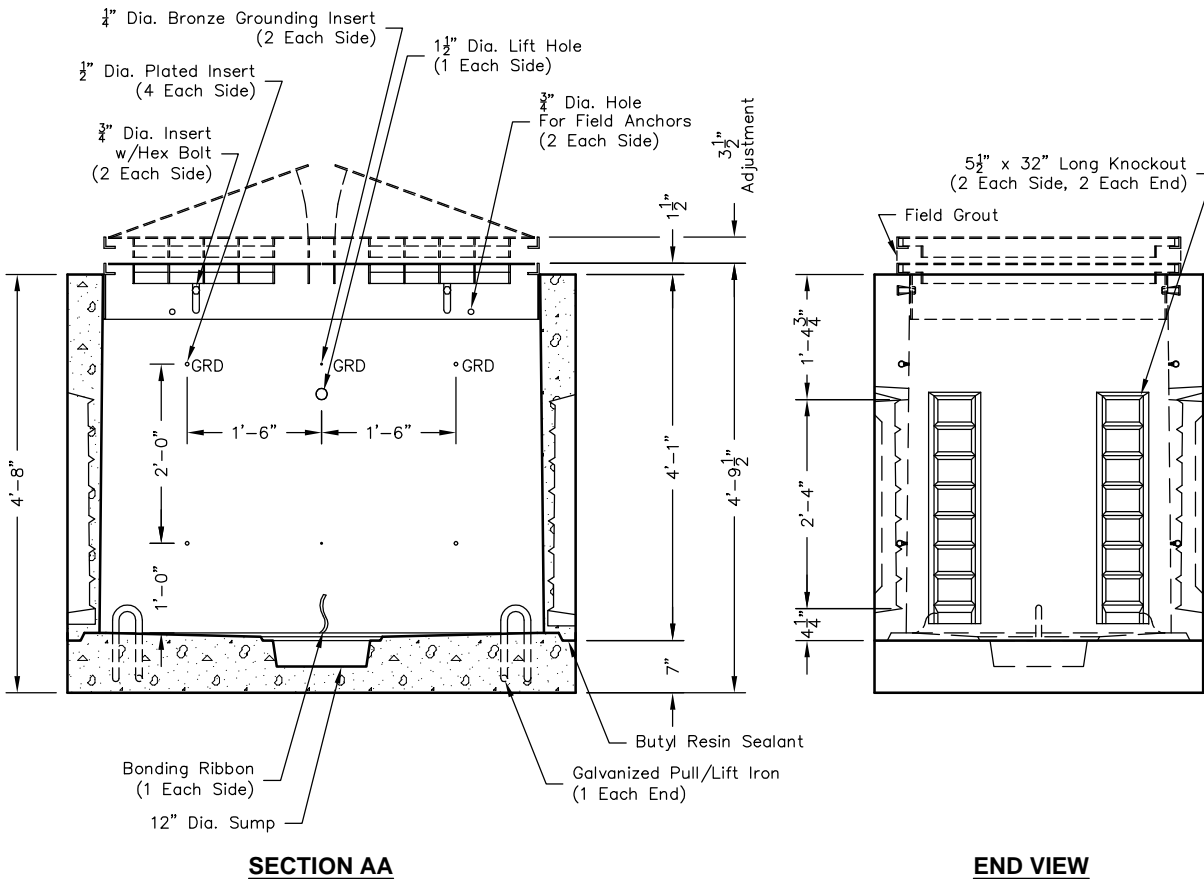
Note: Designed for 0 to 5'-0" of Cover

 <p>PO Box 323, Wilsonville, Oregon 97070-0323 Tel: (503) 682-2844 Fax: (503) 682-2657</p>	<p>FRONTIER 3 x 5 INT.</p>	<p>FRONTIER 3 x 5 INTERCEPT FRONTIER CODE: 180046</p>
	<p>File Name: 020-35FRONTIER-INT</p>	
	<p>Issue Date: 2016</p>	
	<p>oldcastleprecast.com/wilsonville</p>	

FRONTIER 3 x 5 INTERCEPT




Access Door Not Shown, See Cover Plan



SECTION AA

END VIEW

 <p>PO Box 323, Wilsonville, Oregon 97070-0323 Tel: (503) 682-2844 Fax: (503) 682-2657</p>	<p>FRONTIER 3 x 5 INT.</p>	<p>FRONTIER 3 x 5 INTERCEPT FRONTIER CODE: 180046</p>
	<p>File Name: 020-35FRONTIER-INT</p>	
	<p>Issue Date: 2016</p>	
	<p>oldcastleprecast.com/wilsonville</p>	