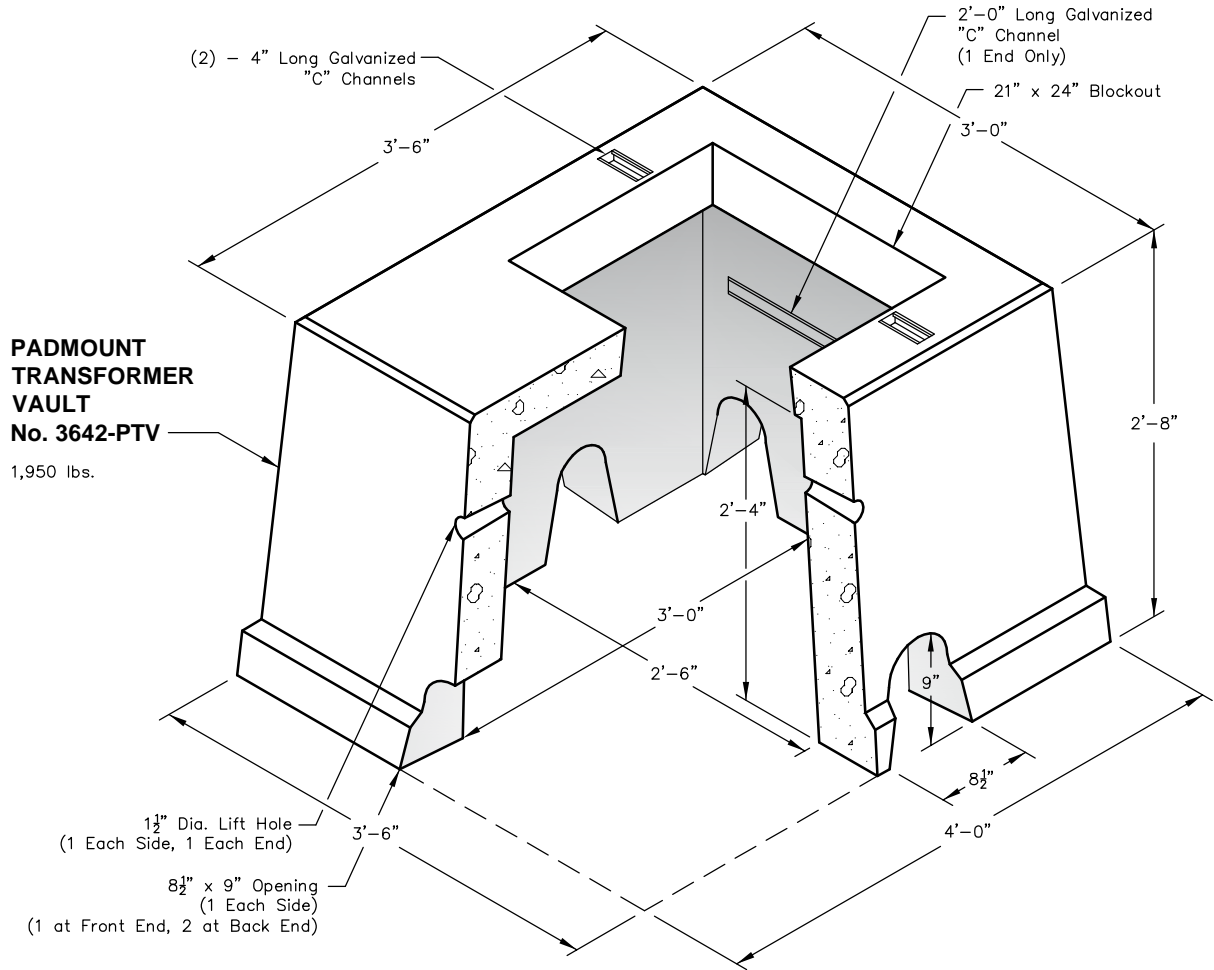
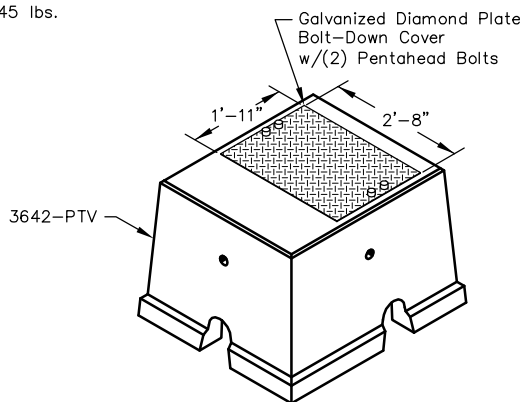


3642-PTV




COVER PLATE No. 3642-PTV COVER PLATE

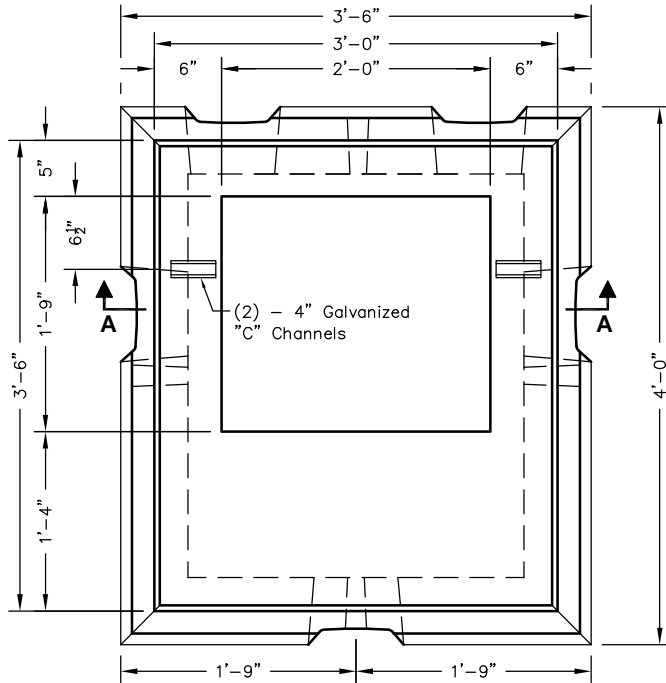
45 lbs.



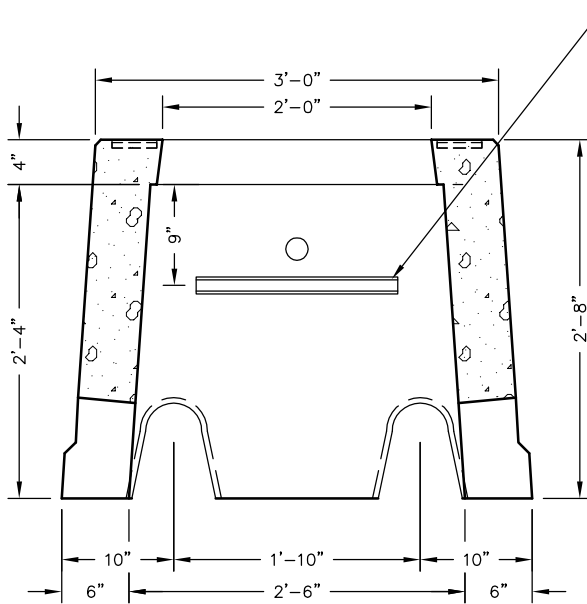
Note: Designed for 0 to 5'-0" of Cover

 <p>PO Box 323, Wilsonville, Oregon 97070-0323 Tel: (503) 682-2844 Fax: (503) 682-2657</p>	3642-PTV	3642-PTV 30 x 36 POWER / WATER / GAS
	File Name: 020-3642PTV	
	Issue Date: 2016	
	oldcastleprecast.com/wilsonville	

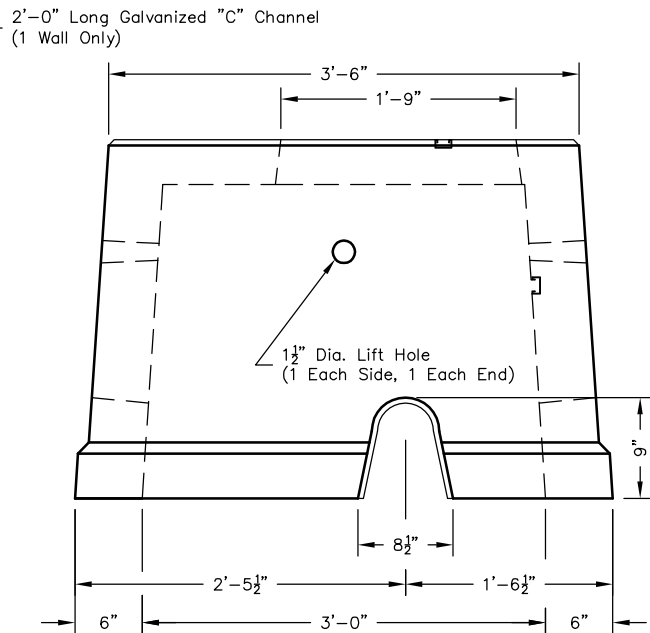
3642-PTV



PLAN VIEW



SECTION AA



SIDE VIEW



PO Box 323, Wilsonville, Oregon 97070-0323
 Tel: (503) 682-2844 Fax: (503) 682-2657

3642-PTV

File Name: 020-3642PTV

Issue Date: 2016

oldcastleprecast.com/wilsonville

3642-PTV
30 x 36
POWER / WATER / GAS