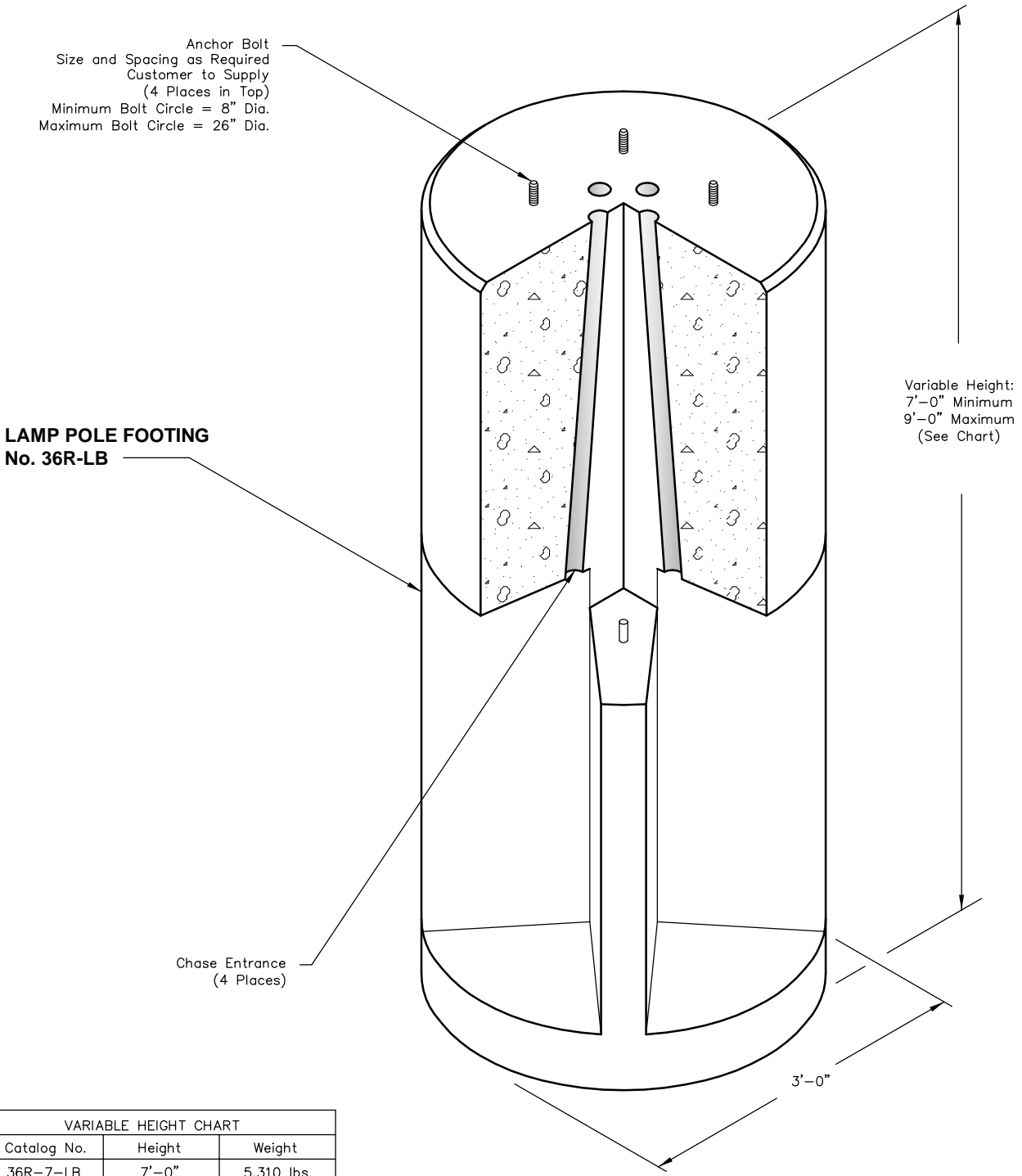



# 36R-LB

PWG-9.0



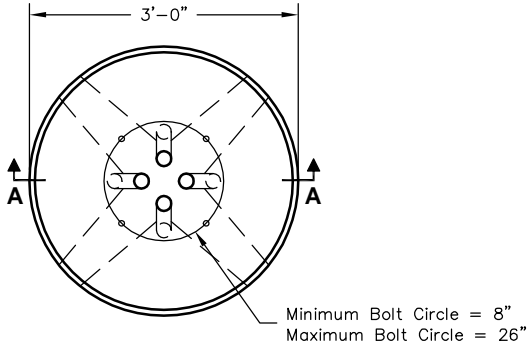
VARIABLE HEIGHT CHART		
Catalog No.	Height	Weight
36R-7-LB	7'-0"	5,310 lbs.
36R-8-LB	8'-0"	6,370 lbs.
36R-9-LB	9'-0"	7,430 lbs.

Note:  
 - Customer is responsible for setting lamp pole footing.  
 - Footings should be selected using Structural Code and/or consultation with Professional Engineer.

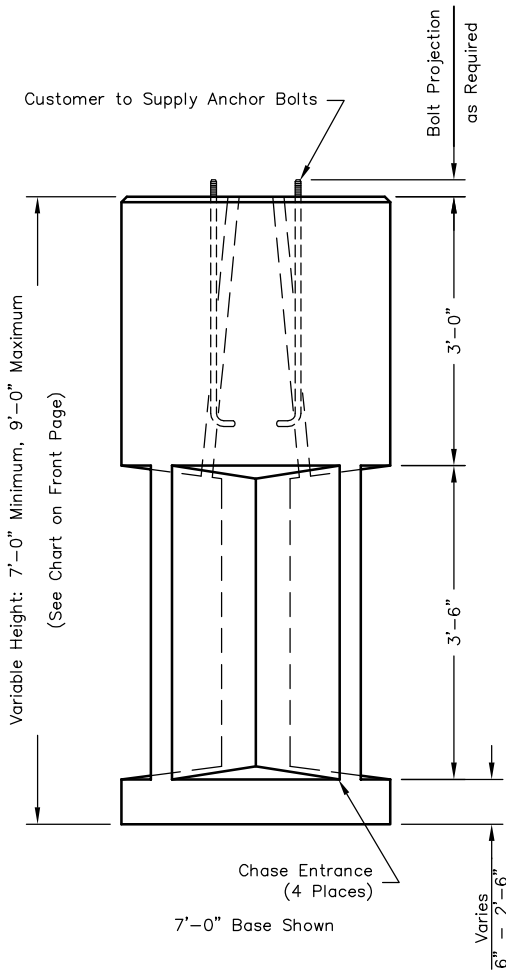
 <p>PO Box 323, Wilsonville, Oregon 97070-0323 Tel: (503) 682-2844 Fax: (503) 682-2657</p>	<h2>36R-LB</h2>	<h2>36R-LB PRECAST FOOTING FOR LAMP POLE</h2>
	File Name: 020-36RLB	
	Issue Date: 2016	
	<a href="http://oldcastleprecast.com/wilsonville">oldcastleprecast.com/wilsonville</a>	

# 36R-LB

PWG-9.1



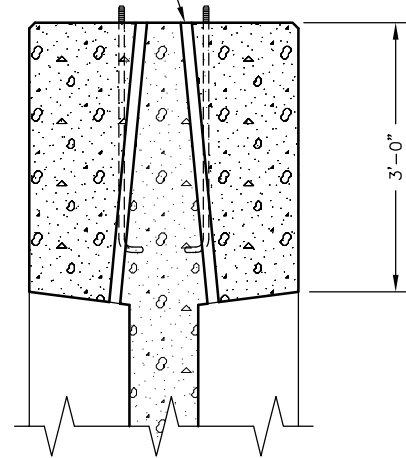
**PLAN VIEW**



**SIDE VIEW**

Note:  
- Lamp pole footing is set using lift plate secured to anchor bolt with nut. (2 Places)

2" Dia. PVC Chase for Conduit (4 Places)



**SECTION AA**



PO Box 323, Wilsonville, Oregon 97070-0323  
Tel: (503) 682-2844 Fax: (503) 682-2657

## 36R-LB

File Name: 020-36RLB

Issue Date: 2016

[oldcastleprecast.com/wilsonville](http://oldcastleprecast.com/wilsonville)

## 36R-LB PRECAST FOOTING FOR LAMP POLE