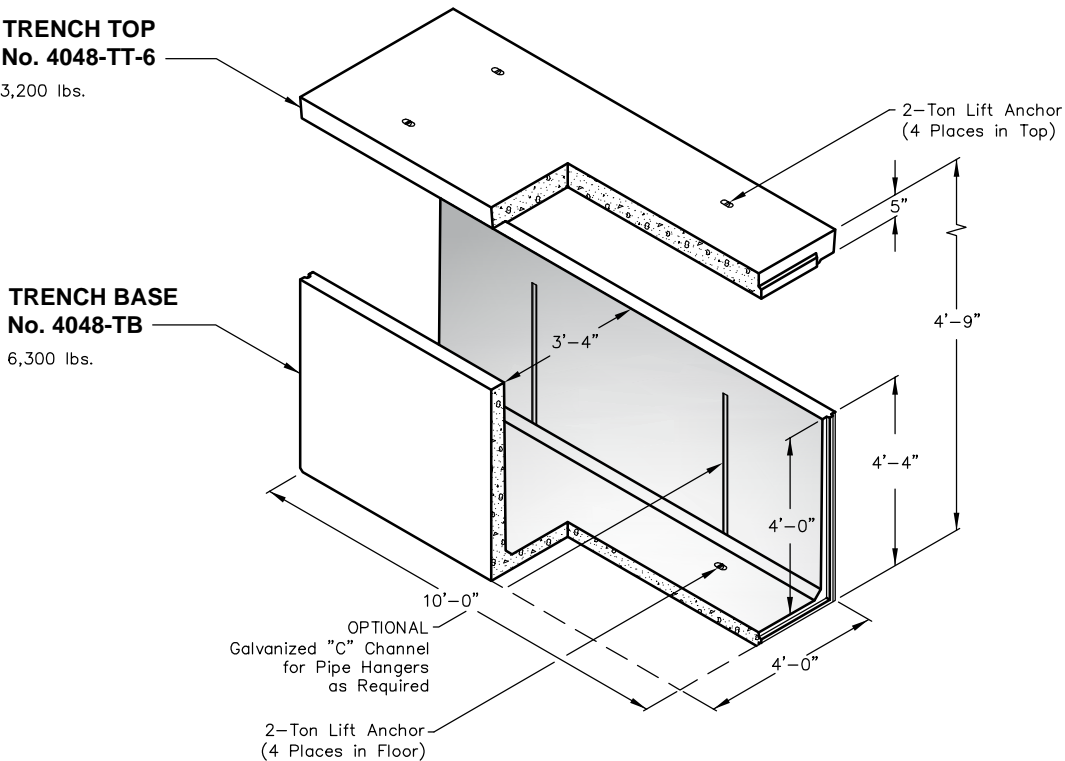


# 4048 TRENCH

**TRENCH TOP  
No. 4048-TT-6**

3,200 lbs.



**TRENCH BASE  
No. 4048-TB**

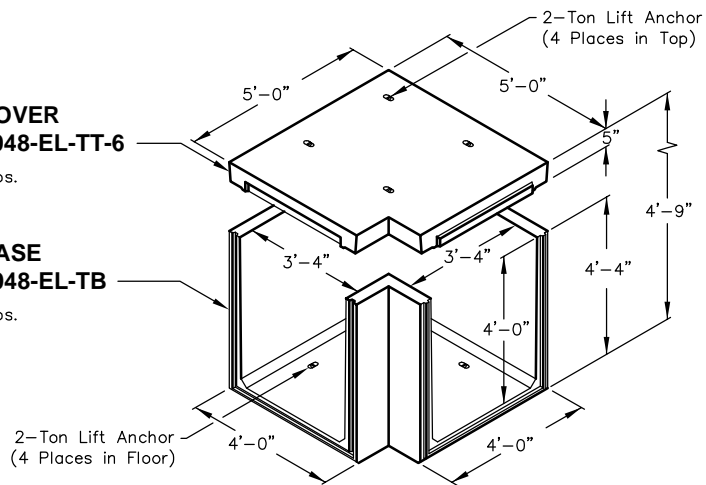
6,300 lbs.

**90° COVER  
No. 4048-EL-TT-6**


1,880 lbs.

**90° BASE  
No. 4048-EL-TB**

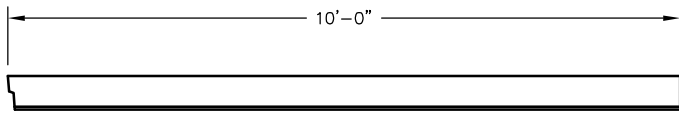
3,150 lbs.



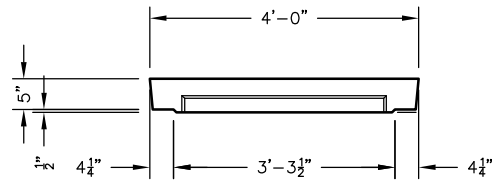
Note: Designed for 0 to 5'-0" of Cover

 <b>Oldcastle Precast®</b> PO Box 323, Wilsonville, Oregon 97070-0323 Tel: (503) 682-2844 Fax: (503) 682-2657	<b>4048 TRENCH</b>	<b>4048 TRENCH 3 x 4</b>
	File Name: 020-4048TR	
	Issue Date: 2016	
	<a href="http://oldcastleprecast.com/wilsonville">oldcastleprecast.com/wilsonville</a>	

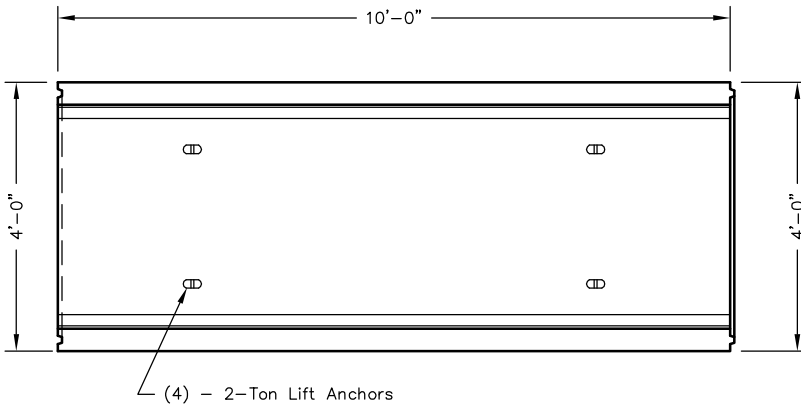
# 4048 TRENCH



**SIDE VIEW - TOP**



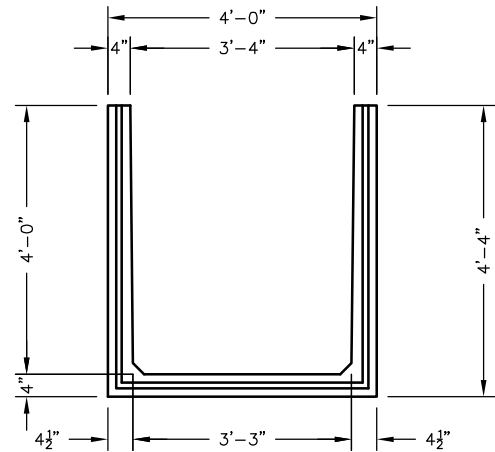
**END VIEW - TOP**



**PLAN VIEW - BASE**




**SIDE VIEW - BASE**



**END VIEW - BASE**

- Notes:
- Customer to grout or caulk joints on vertical plane.
  - Butyl resin sealant supplied for joints on horizontal plane.

 <b>Oldcastle Precast</b> <sup>®</sup> PO Box 323, Wilsonville, Oregon 97070-0323 Tel: (503) 682-2844 Fax: (503) 682-2657	<b>4048 TRENCH</b>	<b>4048 TRENCH</b> <b>3 x 4</b>
	File Name: 020-4048TR	
	Issue Date: 2016	
	<a href="http://oldcastleprecast.com/wilsonville">oldcastleprecast.com/wilsonville</a>	